

**Piston pumps with reservoir, integral power pack – Models KFG10-5(W2) / KFG30-5(W2)**



**KFG10-5W2**

**Technical data**

**Unit** ..... see page 4  
**Lubricant** ..... see page 4  
**Lubricant-level switch** ..... see page 4

**Integral switched-mode power supply**

**Input**

Input voltage ..... 90 - 264 V AC; 47 - 440 Hz  
 Input current ..... 1.5 A/115 V; 0.9 A/230 V  
 Starting current ..... 20 A/115 V; 40 A/230 V  
 Fuse ..... 4 A/250 V

**Output**

Output voltage ..... 24 V DC ± 2%  
 Leakage current ..... < 0.5 mA/240 V AC  
 Overload protection ..... yes  
 Overvoltage protection ..... yes  
 Safety: VDE 085/11.93 / EN 60950 / IEC 950 / UL 1950  
 Ausgang ..... PELV (safety separation)  
 Safety class ..... 1  
 EMC ..... EN 55022 Cl. B, IEC 1000-4-2, 3, 4, 5  
 IEC 1000-4-2, 3

**Motor mode**

-25 °C to +40 °C ..... S1  
 +40 °C to +60 °C ..... S2 – 15 minutes or  
 S3 – 20% – 30 Minuten

**Conforms to EC Directive 89/336/EEC /(EMC).**

The installation's ambient surroundings and cable connections have a decisive influence on the unit's electromagnetic compatibility. During the installation it is therefore necessary to assure the EMC of the entire system.

**Operating instructions for KFG and KFGS piston pumps: 951-130-184**

Order No.	with lubricant-level switch Order No.	Reservoir capacity [kg]
KFG10-5	KFG10-5W2	2
KFG30-5	KFG30-5W2	6

Please indicate in addition to order No.: operating voltage, quantity and order No. of pump elements (max. 3) with pressure-limiting valve.

**Order example**

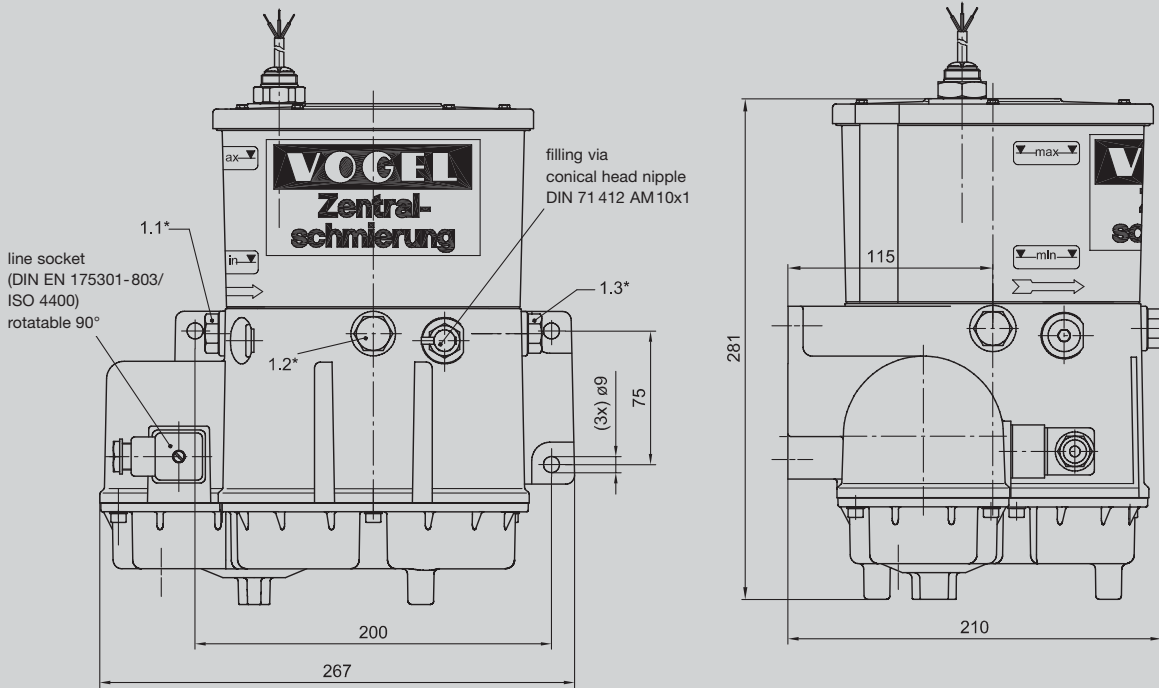
**KFG10-5W2**

outfitted with pump element  
 KFG1.U1 (left 1.1)  
 KFG1.U2 (middle 1.2)  
 KFG1.U3 (right 1.3)  
 and 3 pressure-limiting valves 161-210-012

**Pump elements and pressure-limiting valves**

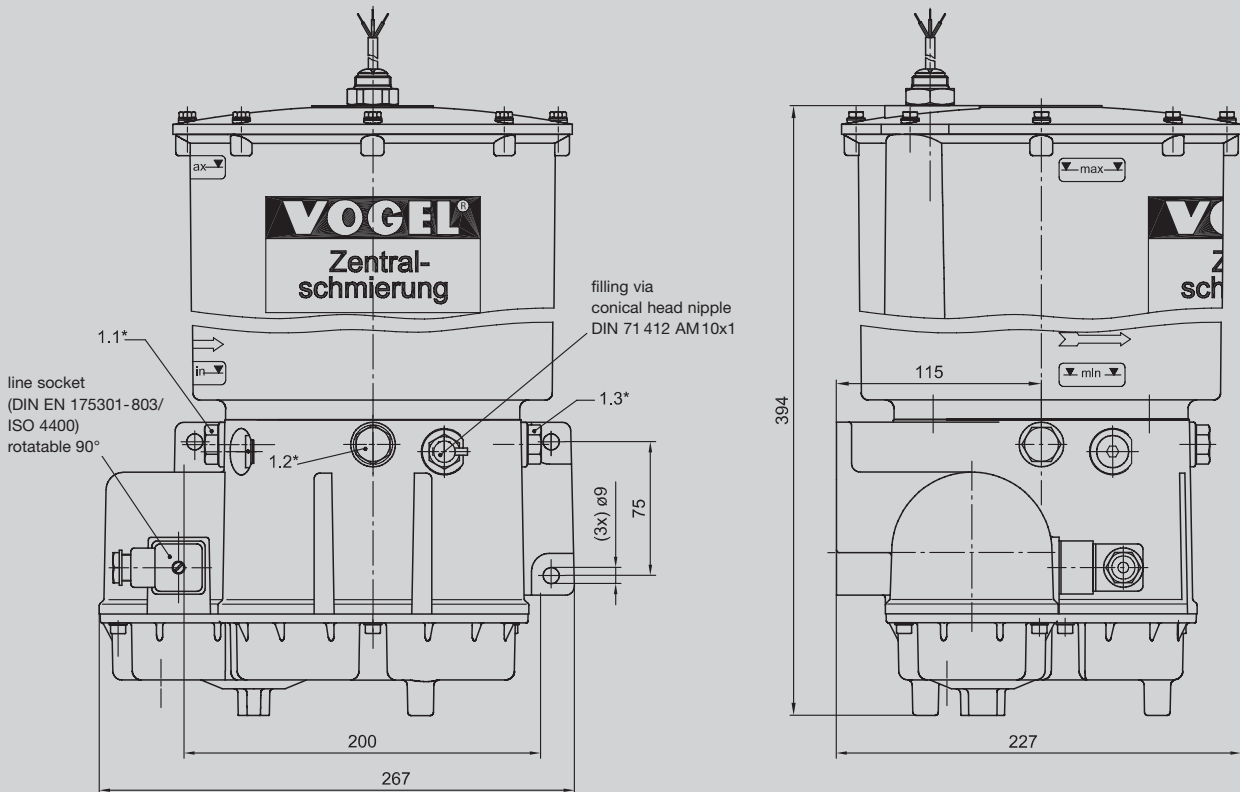
see page 4

**KFG10-5W2**



\*) 1.1 to 1.3 = installation possibility for pump elements

**KFG30-5W2**



\*) 1.1 to 1.3 = installation possibility for pump elements

Dimensions in mm

Hydraulic layout see page 5