

# MICROMASTER 430




## Options


### Variant dependent options

#### Selection and ordering data

The options listed here (filters, chokes, gland plates, fuses and circuit-breakers) must be selected to match the inverter.

The inverter and the associated options have the same voltage ratings.


**All options are certified to , except fuses. The 3NE1 fuses are -listed (equivalent to ).**

● Use in America requires -listed fuses such as the Class NON range from Bussmann.

Mains voltage	Output		Inverter without filter	Order No. of the options		
	kW	hp		EMC filter, Class A	EMC filter, Class B	Line commutating choke
<b>3 AC 380 V to 480 V</b>	7.5	10	6SE6430-2UD27-5CA0	–	–	<b>6SE6400-3CC02-2CD3</b>
	11.0	15	6SE6430-2UD31-1CA0	–	–	
	15.0	20	6SE6430-2UD31-5CA0	–	–	<b>6SE6400-3CC03-5CD3</b>
	18.5	25	6SE6430-2UD31-8DA0	–	EMC filter, Class B, available from Schaffner	<b>6SE6400-3CC04-4DD0</b>
	22	30	6SE6430-2UD32-2DA0	–		
	30	40	6SE6430-2UD33-0DA0	–		<b>6SE6400-3CC05-2DD0</b>
	37	50	6SE6430-2UD33-7EA0	–		<b>6SE6400-3CC08-3ED0</b>
	45	60	6SE6430-2UD34-5EA0	–		
	55	75	6SE6430-2UD35-5FA0	–		<b>6SE6400-3CC11-2FD0</b>
	75	100	6SE6430-2UD37-5FA0	–		
	90	120	6SE6430-2UD38-8FA0	–		<b>6SE6400-3CC11-7FD0</b>
	110	150	6SE6430-2UD41-1FA0	<b>6SL3000-0BE32-5AA0 *</b>	–	<b>6SL3000-0CE32-3AA0</b>
	132	200	6SE6430-2UD41-3FA0	<b>6SL3000-0BE34-4AA0 *</b>	–	<b>6SL3000-0CE32-8AA0</b>
	160	250	6SE6430-2UD41-6GA0	–	–	<b>6SL3000-0CE33-3AA0</b>
	200	300	6SE6430-2UD42-0GA0	–	–	<b>6SL3000-0CE35-1AA0</b>
	250	350	6SE6430-2UD42-5GA0	<b>6SL3000-0BE36-0AA0 *</b>	–	

\* Must be used in combination with a line commutating choke.

Mains voltage	Output		Inverter without filter	Order No. of the options		
	kW	hp		LC/sinusoidal filter	Output choke	Gland plate
<b>3 AC 380 V to 480 V</b>	7.5	10	6SE6430-2UD27-5CA0	<b>6SE6400-3TD03-2CD0</b>	<b>6SE6400-3TC03-2CD3</b>	<b>6SE6400-0GP00-0CA0</b>
	11.0	15	6SE6430-2UD31-1CA0			
	15.0	20	6SE6430-2UD31-5CA0			
	18.5	25	6SE6430-2UD31-8DA0	<b>6SE6400-3TD03-7DD0</b>	<b>6SE6400-3TC05-4DD0</b>	Integrated as standard for shield connection of the control cable and the power cable.
	22	30	6SE6430-2UD32-2DA0	<b>6SE6400-3TD04-8DD0</b>	<b>6SE6400-3TC03-8DD0</b>	
	30	40	6SE6430-2UD33-0DA0	<b>6SE6400-3TD06-1DD0</b>	<b>6SE6400-3TC05-4DD0</b>	
	37	50	6SE6430-2UD33-7EA0	<b>6SE6400-3TD07-2ED0</b>	<b>6SE6400-3TC08-0ED0</b>	
	45	60	6SE6430-2UD34-5EA0	<b>6SE6400-3TD11-5FD0</b>	<b>6SE6400-3TC07-5ED0</b>	
	55	75	6SE6430-2UD35-5FA0		<b>6SE6400-3TC14-5FD0</b>	Integrated as standard for shield connection of the control cable. The shield of the power cable has to be connected externally (e.g. in the control cabinet).
	75	100	6SE6430-2UD37-5FA0	<b>6SE6400-3TD15-0FD0</b>	<b>6SE6400-3TC15-4FD0</b>	
	90	120	6SE6430-2UD38-8FA0	<b>6SE6400-3TD18-0FD0</b>	<b>6SE6400-3TC14-5FD0</b>	
	110	150	6SE6430-2UD41-1FA0	<b>6SL3000-2CE32-3AA0</b>	<b>6SL3000-2BE32-1AA0</b>	
	132	200	6SE6430-2UD41-3FA0		<b>6SL3000-2BE32-6AA0</b>	
	160	250	6SE6430-2UD41-6GA0	<b>6SL3000-2CE32-8AA0</b>	<b>6SL3000-2BE33-2AA0</b>	
	200	300	6SE6430-2UD42-0GA0	<b>6SL3000-2CE33-3AA0</b>	<b>6SL3000-2BE33-8AA0</b>	
	250	350	6SE6430-2UD42-5GA0	<b>6SL3000-2CE34-1AA0</b>	<b>6SL3000-2BE35-0AA0</b>	

Mains voltage	Output		Inverter without filter	Order No. of the options		Circuit-breaker (see Catalog LV 10)
	kW	hp		Fuses (see Catalog LV 10)	3NE1 (  )	
<b>3 AC 380 V to 480 V</b>	7.5	10	6SE6430-2UD27-5CA0	<b>3NA3807</b>	●	<b>3RV1031-4EA10</b>
	11.0	15	6SE6430-2UD31-1CA0	<b>3NA3812</b>		<b>3RV1031-4FA10</b>
	15.0	20	6SE6430-2UD31-5CA0	<b>3NA3814</b>		<b>3RV1031-4HA10</b>
	18.5	25	6SE6430-2UD31-8DA0	<b>3NA3820</b>	<b>3NE1817-0</b>	<b>3RV1042-4KA10</b>
	22	30	6SE6430-2UD32-2DA0	<b>3NA3822</b>	<b>3NE1818-0</b>	
	30	40	6SE6430-2UD33-0DA0	<b>3NA3824</b>	<b>3NE1820-0</b>	<b>3RV1042-4MA10</b>
	37	50	6SE6430-2UD33-7EA0	<b>3NA3830</b>	<b>3NE1021-0</b>	<b>3VL1712-. DD33-....</b>
	45	60	6SE6430-2UD34-5EA0	<b>3NA3832</b>	<b>3NE1022-0</b>	<b>3VL1716-. DD33-....</b>
	55	75	6SE6430-2UD35-5FA0	<b>3NA3836</b>	<b>3NE1224-0</b>	<b>3VL3720-. DC36-....</b>
	75	100	6SE6430-2UD37-5FA0	<b>3NA3140</b>	<b>3NE1225-0</b>	<b>3VL3725-. DC36-....</b>
	90	120	6SE6430-2UD38-8FA0	<b>3NA3144</b>	<b>3NE1227-0</b>	<b>3VL4731-. DC36-....</b>
	110	150	6SE6430-2UD41-1FA0	–		<b>3VL3725-. DC36-....</b>
	132	200	6SE6430-2UD41-3FA0	–	<b>3NE1230-0</b>	<b>3VL4731-. DC36-....</b>
	160	250	6SE6430-2UD41-6GA0	–	<b>3NE1332-0</b>	
	200	300	6SE6430-2UD42-0GA0	–	<b>3NE1333-0</b>	<b>3VL4740-. DC36-....</b>
	250	350	6SE6430-2UD42-5GA0	–	<b>3NE1435-0</b>	<b>3VL5750-. DC36-....</b>

## Selection and ordering data (continued)

Mains voltage	Output		Inverter with internal filter Class A	Order No. of the options <b>Additional EMC filter, Class B</b>	Line commutating choke	LC filter	
	kW	hp					
<b>3 AC 380 V to 480 V</b>	7.5	10	6SE6430-2AD27-5CA0	<b>6SE6400-2FS03-8CD0</b>	<b>6SE6400-3CC02-2CD3</b>	<b>6SE6400-3TD03-2CD0</b>	
	11.0	15	6SE6430-2AD31-1CA0				
	15.0	20	6SE6430-2AD31-5CA0		<b>6SE6400-3CC03-5CD3</b>		
	18.5	25	6SE6430-2AD31-8DA0		An inverter <b>without</b> filter must be selected to satisfy the EMC requirements of Class B. In addition, an appropriate EMC filter of Class B is from Schaffner is required.	<b>6SE6400-3CC04-4DD0</b>	<b>6SE6400-3TD03-7DD0</b>
	22	30	6SE6430-2AD32-2DA0				<b>6SE6400-3TD04-8DD0</b>
	30	40	6SE6430-2AD33-0DA0			<b>6SE6400-3CC05-2DD0</b>	<b>6SE6400-3TD06-1DD0</b>
	37	50	6SE6430-2AD33-7EA0			<b>6SE6400-3CC08-3ED0</b>	<b>6SE6400-3TD07-2ED0</b>
	45	60	6SE6430-2AD34-5EA0				<b>6SE6400-3TD11-5FD0</b>
	55	75	6SE6430-2AD35-5FA0			<b>6SE6400-3CC11-2FD0</b>	
	75	100	6SE6430-2AD37-5FA0				<b>6SE6400-3TD15-0FD0</b>
90	120	6SE6430-2AD38-8FA0	<b>6SE6400-3CC11-7FD0</b>	<b>6SE6400-3TD18-0FD0</b>			

Mains voltage	Output		Inverter with internal filter Class A	Order No. of the options <b>Output choke</b>	Gland plate	
	kW	hp				
<b>3 AC 380 V to 480 V</b>	7.5	10	6SE6430-2AD27-5CA0	<b>6SE6400-3TC03-2CD3</b>	<b>6SE6400-0GP00-0CA0</b>	
	11.0	15	6SE6430-2AD31-1CA0			
	15.0	20	6SE6430-2AD31-5CA0			
	18.5	25	6SE6430-2AD31-8DA0			<b>6SE6400-3TC05-4DD0</b>
	22	30	6SE6430-2AD32-2DA0			<b>6SE6400-3TC03-8DD0</b>
	30	40	6SE6430-2AD33-0DA0			<b>6SE6400-3TC05-4DD0</b>
	37	50	6SE6430-2AD33-7EA0			<b>6SE6400-3TC08-0ED0</b>
	45	60	6SE6430-2AD34-5EA0			<b>6SE6400-3TC07-5ED0</b>
	55	75	6SE6430-2AD35-5FA0			<b>6SE6400-3TC14-5FD0</b>
	75	100	6SE6430-2AD37-5FA0			<b>6SE6400-3TC15-4FD0</b>
90	120	6SE6430-2AD38-8FA0	<b>6SE6400-3TC14-5FD0</b>			

Integrated as standard for shield connection of the control cable and the power cable.

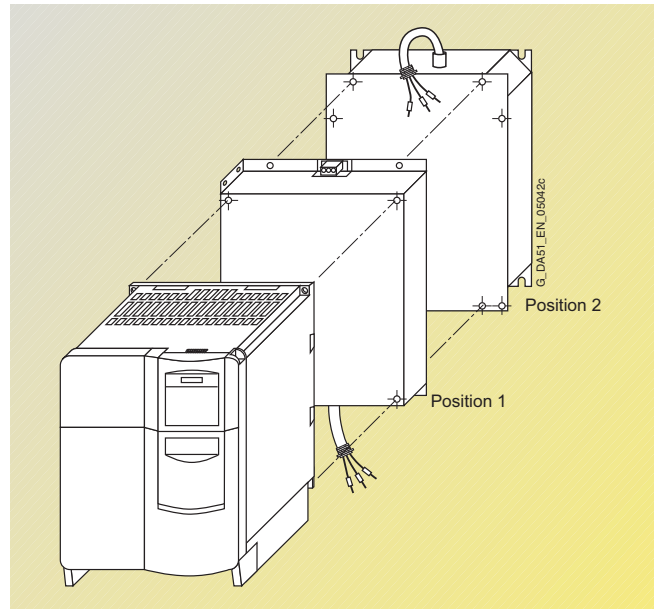
Mains voltage	Output		Inverter with internal filter Class A	Order No. of the options <b>Fuses</b> (see Catalog LV 10)		Circuit-breaker (see Catalog LV 10)
	kW	hp		<b>3NA3</b>	<b>3NE1 (⚡)</b>	
<b>3 AC 380 V to 480 V</b>	7.5	10	6SE6430-2AD27-5CA0	<b>3NA3807</b>	●	<b>3RV1031-4EA10</b>
	11.0	15	6SE6430-2AD31-1CA0	<b>3NA3812</b>		<b>3RV1031-4FA10</b>
	15.0	20	6SE6430-2AD31-5CA0	<b>3NA3814</b>		<b>3RV1031-4HA10</b>
	18.5	25	6SE6430-2AD31-8DA0	<b>3NA3820</b>	<b>3NE1817-0</b>	<b>3RV1042-4KA10</b>
	22	30	6SE6430-2AD32-2DA0	<b>3NA3822</b>	<b>3NE1818-0</b>	
	30	40	6SE6430-2AD33-0DA0	<b>3NA3824</b>	<b>3NE1820-0</b>	<b>3RV1042-4MA10</b>
	37	50	6SE6430-2AD33-7EA0	<b>3NA3830</b>	<b>3NE1021-0</b>	<b>3VL1712-.DD33-....</b>
	45	60	6SE6430-2AD34-5EA0	<b>3NA3832</b>	<b>3NE1022-0</b>	<b>3VL1716-.DD33-....</b>
	55	75	6SE6430-2AD35-5FA0	<b>3NA3836</b>	<b>3NE1224-0</b>	<b>3VL3720-.DC36-....</b>
	75	100	6SE6430-2AD37-5FA0	<b>3NA3140</b>	<b>3NE1225-0</b>	<b>3VL3725-.DC36-....</b>
90	120	6SE6430-2AD38-8FA0	<b>3NA3144</b>	<b>3NE1227-0</b>	<b>3VL4731-.DC36-....</b>	

● Use in America requires Ⓢ-listed fuses such as the Class NON range from Bussmann.

## Design

### General installation instructions

- A maximum of two footprint components plus inverter are permissible.
- If an LC filter is used, it must be mounted directly on the wall of the control cabinet due to weight reasons. If an LC filter of frame size C is used, therefore, only one footprint component is permissible. If a line choke and LC filter are used, the line choke must be located on the left of the inverter. Required spacing: 75 mm.
- The EMC filter must be mounted directly below the frequency inverter if possible.
- If mounted on the side, the line-side components are to be mounted to the left of the frequency inverter whereas the output-side components are to be mounted to the right of the frequency inverter.



Example of installation with frequency inverter, EMC filter (position 1) and line choke (position 2)

### Availability of the options as footprint components

	Frame size							
	C	D	E	F	G	FX	GX	
Line commutating choke	✓	✓	✓					
EMC filter	✓							
LC filter	✓							
Output choke	✓							

### Recommended combinations of inverters and options

Frequency inverter Frame size	Footprint		Mounted on side	
	Position 1	Position 2	To the left of the inverter (for line-side components)	To the right of the inverter (for output-side components)
C	EMC filter	Line commutating choke	–	Output choke
	EMC filter <u>or</u> Line commutating choke	Output choke	–	–
	LC filter	–	EMC filter <u>and/or</u> Line commutating choke	–
D and E	Line commutating choke	–	EMC filter	Output choke <u>or</u> LC filter
F, G, FX and GX	–	–	EMC filter <u>and/or</u> Line commutating choke	Output choke <u>or</u> LC filter