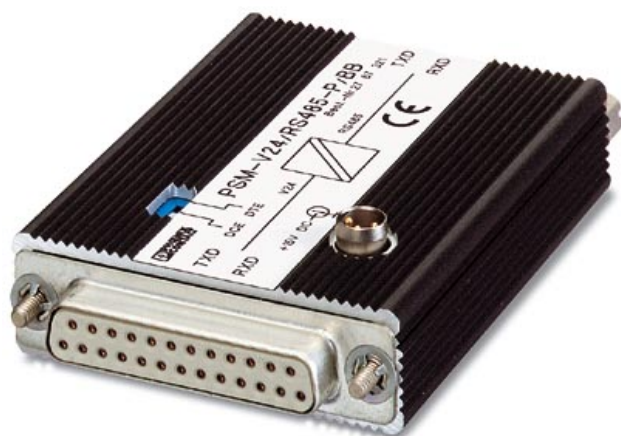


Please note that the data given here has been taken from the online catalog. For comprehensive information and data, please refer to the user documentation at <http://www.download.phoenixcontact.com>. The General Terms and Conditions of Use apply to Internet downloads.

▶ Extract from the online catalog



Interface converter, for converting RS-232 (V.24) to RS-485, with galvanic isolation, change-over of data direction via DTR

The illustration shows version PSM-V24/RS485-P/BB

Order No.	2761457
Ord designation	PSM-V24/RS485-P/SB/I
EAN	4017918064723
Pack	1 Pcs.
Customs tariff	85175090
Weight/Piece	0,118 KG
Catalog page information	Page 383 (IF-2002)

▶ Technical data

Serial interfaces

Interface 1	RS-232 interface in acc. with ITU-T V.28, EIA/TIA-232, DIN 66259-1
Data rate	64 kBit/s (NRZ)
Type of connection	D-SUB-25 male/D-SUB-25 female
Interface 2	RS-485 interface in acc. with EIA/TIA-485, DIN 66259-4
Data direction switching	DTR $\geq +3$ V = RS-485 transmit
Data rate	64 kBit/s (NRZ)
Terminating resistor	150 Ω (can be connected via bridge 7/9)
Transmission length	1200 m (twisted pair)
Type of connection	D-SUB-9 female connector

Power supply

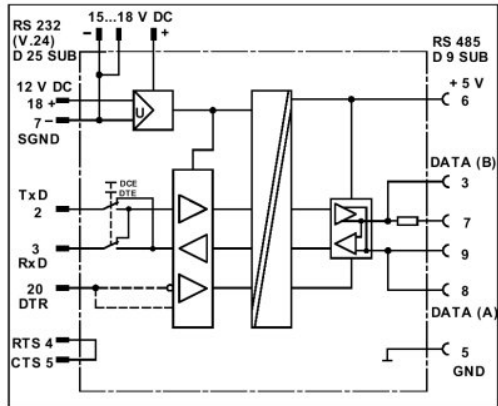
Supply voltage	12 V 5 % (via PIN 18/7)
Range of supply voltages	15 V DC ... 18 V DC
Typical current consumption	Approx. 70 mA

General data

Transmission channels	2 (1/1), RxD, TxD, half-duplex
Bit delay	≤ 7 μs
Bit distortion	≤ 4 %
Length	86 mm
Height	18 mm
Width	54.5 mm
Ambient temperature (operation)	0 °C ... 50 °C
Electrical isolation	RS-232 // RS-485, supply // RS-485
Test voltage data interface/power supply	1 kV DC
Housing material	Aluminum, anodized

► Drawings

Circuit diagram



► Accessories

Item	Designation	Description
Plug/Adapter		
2761295	PSM-KAD 9 SUB 25/BS	Adapter cable, 9-pos. D-SUB female connector to 25-pos. D-SUB male

► Address

PHOENIX CONTACT GmbH & Co. KG
Flachsmarktstr. 8
32825 Blomberg
Germany
Phone +49 5235 3 00
Fax +49 5235 3 41200
<http://www.phoenixcontact.de>
Phoenix Contact
Technical modifications reserved;