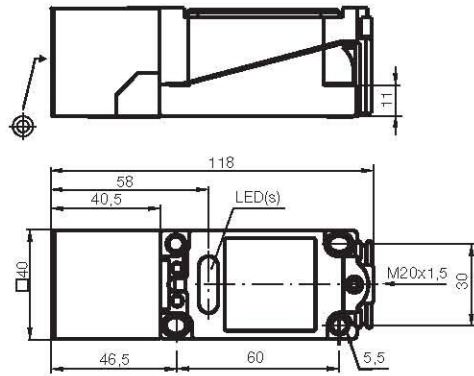


Inductive proximity switches

NJ15+U1+E

Comfort series
15 mm embeddable



Switching element function	NPN	Make function
Rated operating distance s_n	15 mm	
Installation	embeddable	
Assured operating distance s_a	0 ... 12,15 mm	
Reduction factor r_{Al}	0,3	
Reduction factor r_{Cu}	0,25	
Reduction factor r_{V2A}	0,75	
Operating voltage U_B	10 ... 60 V	
Switching frequency f	0 ... 150 Hz	
Hysteresis H	1 ... 10 typ. 5 %	
Reverse polarity protection	Protected against reverse polarity	
Short circuit protection	pulsing	
Voltage drop U_d	$\leq 2,8$ V	
Operating current I_L	0 ... 200 mA	
Off-state current I_r	0 ... 0,5 mA typ. 0,01 mA	
No-load supply current I_0	≤ 10 mA	
Operating voltage display	LED, green	
Indication of the switching state	LED, yellow	
Standards	EN 60947-5-2	
Ambient temperature	-25 ... 70 °C (248 ... 343 K)	
Storage temperature	-25 ... 85 °C (248 ... 358 K)	
Connection type	terminal compartment	
Core cross-section	up to 2.5 mm ²	
Housing material	PBT	
Sensing face	PBT	
Protection degree	IP68	

Connection_type:

E / E0

