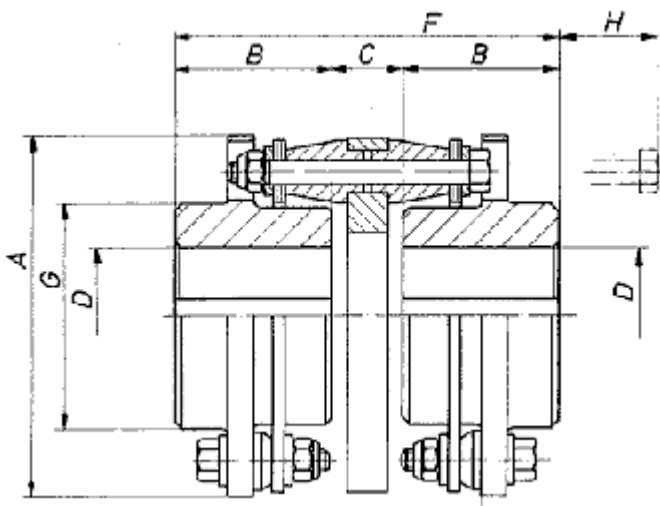


REX THOMAS Couplings Type DBZ, DBZ-A und DBZ-B



Technical Data

Nominal Torque, T_{KN}	Nm	620
Maximum Torque, $T_{K \max.}$	Nm	940
Misalignment(1), axial, $\Delta K_{amax.}$	mm	1.9
Misalignment(1), radial, $\Delta K_{rmax.}$	mm	0.63
Misalignment(1), angular, $\Delta K_{amax.}$	°	1
Torsional spring rate $\times 10^6$, C_{Tdyn}	Nm/rad	0.3139
Maximum Speed, $n_{max.}$	min ⁻¹	5200
Moment of Inertia(2), J	kgm ²	277
Weight(2), m	kg	9.5

Dimensions

Diameters [mm]

A	154
D ^{H7} max.(3)	60
G	95

Lengths [mm]

B	60
C	31
F	151
H	68

Ordering Code Type DBZ Size 226: Type DBZ-226-000, \varnothing^{H7} .

Footnotes:

(1) Maximum misalignment values can be utilised at the same time.

(2) Apply to maximum bores.

(3) Specify requested bore. Missing bore details mean: we supply unbored, prebored resp.

- Axial Spring Rates see Page [Axial Spring Rates](#).

Property- and utilization description, as well as technical data, are non-obligatory. They are subject to changes. Delivery executions are governed by individual delivery contract agreements.