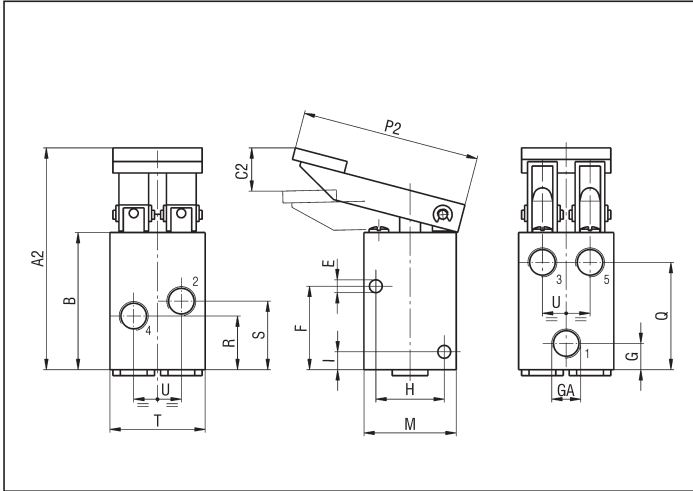


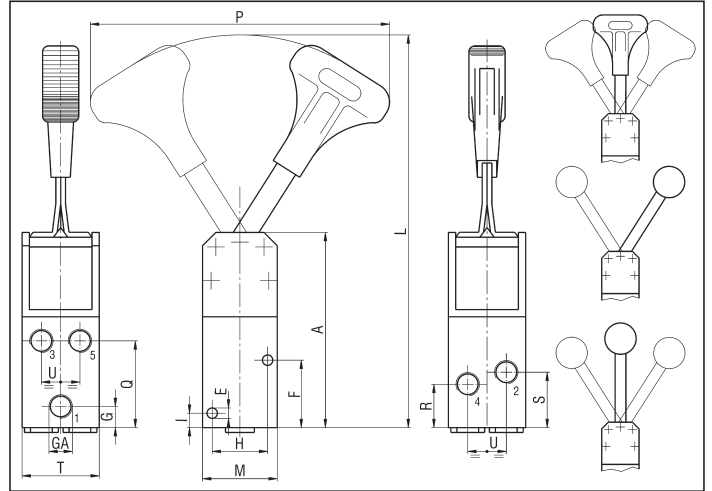
**3 PORT, 3 POSITIONS AND 5 PORT MANUALLY ACTUATED VALVES G 1/8 - G 1/4 - G 1/2**

Symbol	Function	Controls		Flow rate at 6 bar $\Delta P = 1$ bar (Nl/min)	Weight (g)	Port size	TYPE
		Pilot	Return				
	5/2 monostable	Tapper	Mechanical spring	650	180	G 1/8	CAT8
				1040	405	G 1/4	CAT4
				2050	790	G 1/2	CAT2
	5/2 monostable	Vertical knob	Mechanical spring	650	315	G 1/8	CAM8
				1040	600	G 1/4	CAM4
				2050	1160	G 1/2	CAM2
	5/2 bistable	Vertical knob	Vertical knob	650	290	G 1/8	CAM8F
				1040	570	G 1/4	CAM4F
				2050	1065	G 1/2	CAM2F
	5/2 monostable	Lateral knob	Mechanical spring	650	375	G 1/8	CAML8
				1040	650	G 1/4	CAML4
	5/2 bistable	Lateral knob	Lateral knob	650	365	G 1/8	CAML8F
				1040	635	G 1/4	CAML4F
	5/2 monostable	Hand-wheel	Mechanical spring	650	395	G 1/8	CAVL8
				1040	665	G 1/4	CAVL4
	5/2 bistable	Lateral hand-wheel	Lateral hand-wheel	650	380	G 1/8	CAVL8F
				1040	650	G 1/4	CAVL4F
	5/3 monostable open centre	Vertical knob	Mechanical spring	815	315	G 1/8	CCM8
				950	605	G 1/4	CCM4
				2250	1165	G 1/2	CCM2
	5/3 stable open centre	Vertical knob	Vertical knob	815	290	G 1/8	CCM8F
				950	575	G 1/4	CCM4F
				2250	1095	G 1/2	CCM2F
	5/3 monostable open centre	Lateral knob	Mechanical spring	815	385	G 1/8	CCML8
				950	675	G 1/4	CCML4
	5/3 stable open centre	Lateral knob	Lateral knob	815	370	G 1/8	CCML8F
				950	650	G 1/4	CCML4F
	5/3 monostable open centre	Lateral hand-wheel	Mechanical spring	815	405	G 1/8	CCVL8
				950	690	G 1/4	CCVL4
	5/3 stable open centre	Lateral hand-wheel	Lateral hand-wheel	815	385	G 1/8	CCVL8F
				950	660	G 1/4	CCVL4F
	3/3 monostable closed centre	Vertical knob	Mechanical spring	815	310	G 1/8	HCCM8
				950	600	G 1/4	HCCM4
	5/3 stable closed centre	Lateral knob	Mechanical spring	815	310	G 1/8	HCCM8F
				950	600	G 1/4	HCCM4F
	3/3 monostable closed centre	Lateral knob	Mechanical spring	815	310	G 1/8	HCCML8
				950	600	G 1/4	HCCML4
	5/3 stable closed centre	Vertical knob	Mechanical spring	815	310	G 1/8	HCCML8F
				950	600	G 1/4	HCCML4F
	5/3 monostable closed centre	Vertical knob	Mechanical spring	815	740	G 1/8	XH4CM8
				950	1605	G 1/4	XH4CM4
				2250	3185	G 1/2	XH4CM2
	5/3 stable closed centre	Vertical knob	Vertical knob	815	680	G 1/8	XH4CM8F
				1400	1555	G 1/4	XH4CM4F
				2250	3080	G 1/2	XH4CM2F

5/2 TAPPER

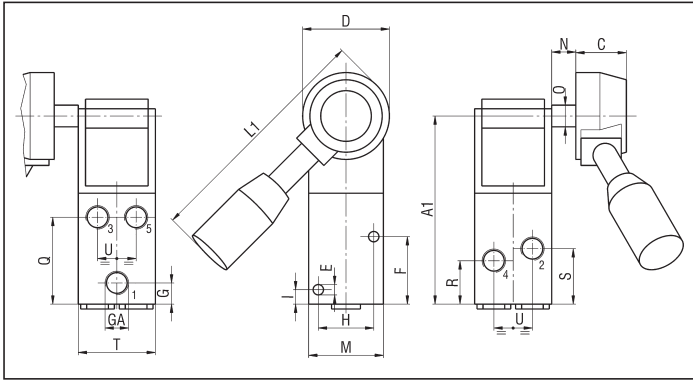


5/2 - 5/3 O.C. - 3/3 C.C. VERTICAL KNOB

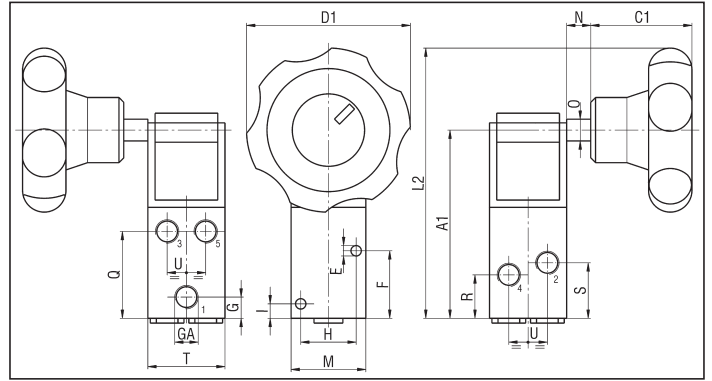


3

5/2 - 5/3 O.C. - 3/3 C.C. LATERAL KNOB



5/2 LATERAL HAND-WHEEL



GA	A	A1	A2	B	C	C1	C2		D	D1	E	F	G	H
							min.	max.						
G 1/8	80	77	75,5	46	20	42	8	15,5	36	70	4,3	28	8,8	23
G 1/4	100	95	95	60	20	42	11	22,5	36	70	5,3	35	11,5	30
G 1/2	130	124	83	80	-	-	28	35	-	-	6,4	49	15	38

GA	I	L	L1	L2	M	N	O	P	P2	Q	R		S	T
											N.O.	N.C.		
G 1/8	6	162	100	112	31	10	9	124	60	36	23	18	23	32
G 1/4	8	188	100	130	40	10	9	152	83	46	30	25,5	30	40
G 1/2	10	238	-	-	50	-	-	180	145	63,3	40	30	40	50

GA	U
G 1/8	16
G 1/4	20
G 1/2	25

P.S.: THE VERSION WITH BLACK VERTICAL KNOB IS AVAILABLE ONLY IN THE SIZES G 1/8 AND G 1/4; TO ORDER THIS VERSION ADD THE SUFFIX "/E" TO THE TYPE.  
E.G.: CAM8/E; CCM8/E