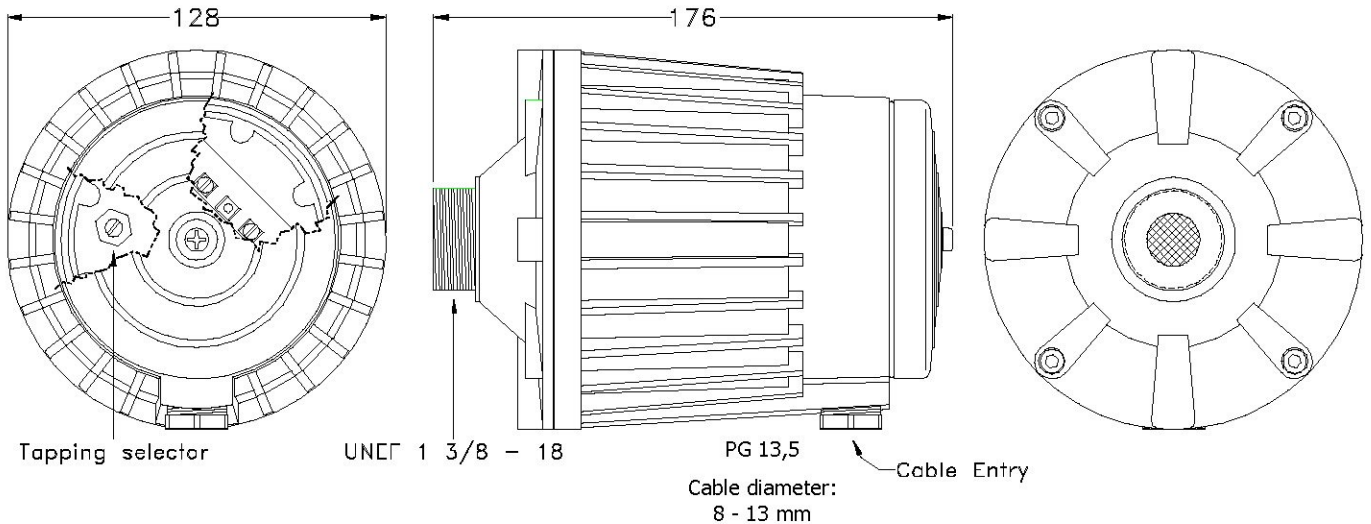
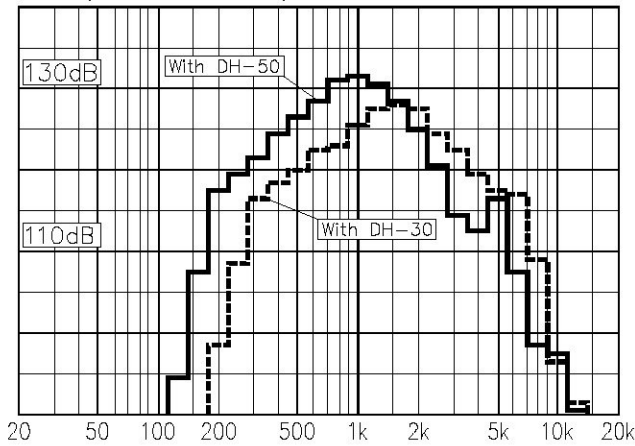




ISO 9001 CERTIFIED



100W/1m Pink Noise 1/3 octave bands



DH-50 DH-30

Material / Colour.....	Aluminium alloy / RAL 7035	
Mounting	Threaded UNEF 1 3/8 - 18	
Termination	Inside screw terminals	
Weight driver unit.....	2,5 kg	
IP-rating	67	
Max. / min. amb. temp	200 °C / -50 °C	
Standard version	100 V transformer	
Rated / max. power	100 W / 100 W	
SPL 1W/1m with horn	112 dB	110 dB
SPL rated power with horn	132 dB	130 dB
Effective freq. range with horn	200 – 5000 Hz	300-5000
Dispersion (-6dB) 1kHz / 4kHz	50° / 20°	80° / 25°
Directivity factor, Q.....	26,8	21,4

Installation, Operation and Maintenance Procedures

- Screw driver unit into a suitable horn (ie. DNH modell DH-30).
- For optimum performance, always use the correct voltage / power and operate within the frequency limits as stated.
- The loudspeaker should be checked on a regular basis to avoid any build up of debris.
- This loudspeaker is supplied with a 2 year warranty against defective workmanship.

Most of our products are available in different colors, impedances and power ratings.

