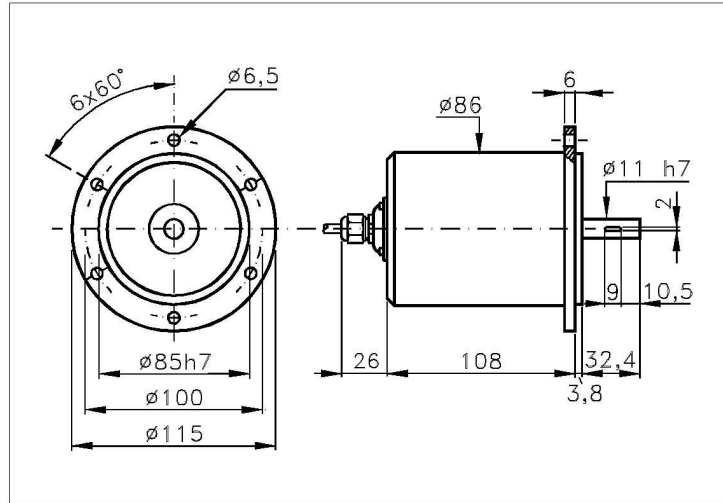


115R

Sized draw standard version: CV Measures without tolerance according to UNI ISO 2768-mk



TECHNICAL FEATURES AND POSSIBLE CONFIGURATIONS

- Base.....: ANODIZED ALUMINIUM (*)
- Cover.....: ANODIZED ALUMINIUM (*)
- Weight.....: 1450 g
- Shaft.....: Ø 11 STAINLESS STEEL (*)
- Max.rad/axial load.: 18 kg
- IP output side.(°): see 'CONNECTION' of page 2
- IP shaft side.(°)> std. 66 | sealed 67 | low torq. -
- opt. type (page 2)> standard | Z
- Contin. max RPM(**)> 6000 | 3000 | -
- Starting torque gcm> 90 | 150 | -
- Ball bearings life...: 1,5 x 10⁹ revolutions
- Impact resistance....: 50 G x 11ms
- Vibration resistance..: 12 G (10 ÷ 2000 Hz)
- Power supply.....: 5÷30V (see page 2)
- Operating temperature: 0 ÷ 70 °C (*)
- Storage temperature...: -30 ÷ 85 °C
- N° of pulses/rev.....: 1 ÷ 25000
- Max frequency.....: 100 kHz (300 option)
- Max consumptions mA...: std 120 line driver 180 (*)
- Light source.....: LED with >= 100000 h life

(°) IP according to CEI EN 60529, EN 60529, IEC 529

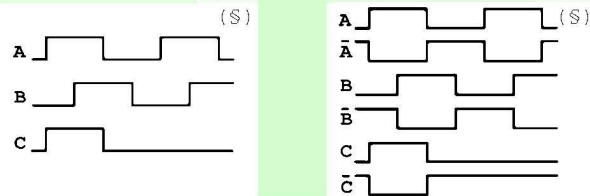
(*) custom options

(**) intermittent max RPM + 30% of continuous max RPM

ELECTRONICS

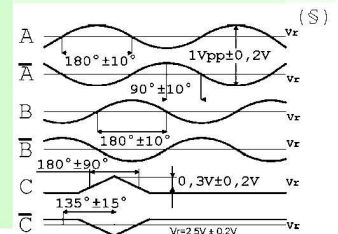
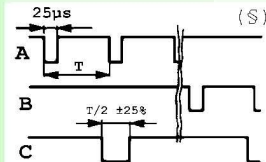
CODE	DESCRIPTION	mA	CODE	DESCRIPTION	mA	CODE	DESCRIPTION	mA	CODE	DESCRIPTION	mA
	STANDARD NPN	10	N	DRIVER 26LS31	30	D	DISCRIMINAT.	70	Y	SINUSOID.1Vpp	10
K	NPN OPEN COLL	10	T	TTL 7404	10						
Q	NPN	70	C	DRIVER 88C30	20						
R	NPN OPEN COLL	70	L	2x PUSH-P.PRO	70						
P	PNP	70	M	2x PUSH-PULL	70						
U	PNP OPEN COLL	70									
B	PUSH-PULL PRO	70									
H	PUSH-PULL	70									

(S) Clock-wise output rotation (see shaft).



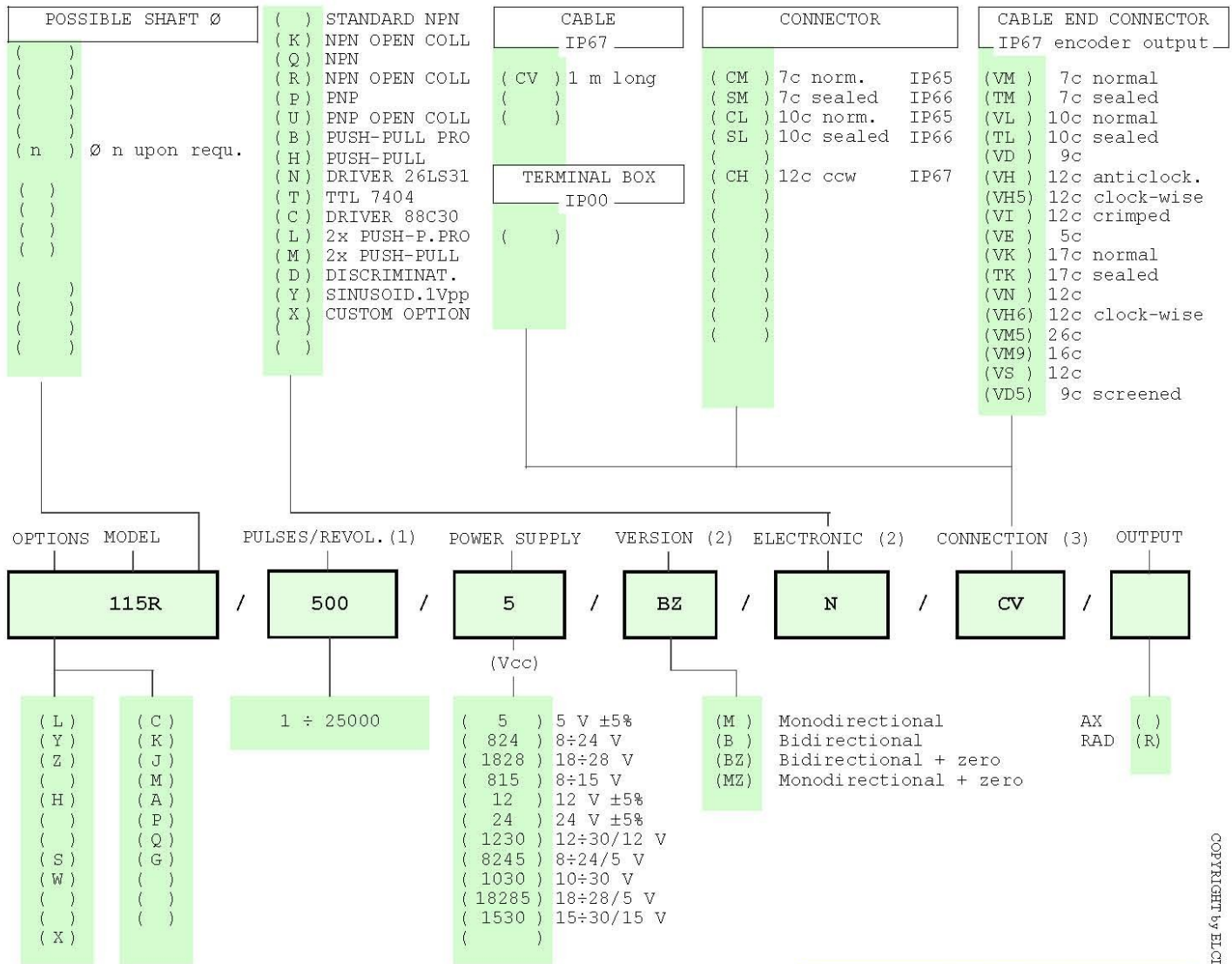
Tolerance between phases ± 25°, symmetry ± 15°

(S) Clock-wise output rotation (see shaft).



POSSIBLE OPTIONS				POSSIBLE CONNECTIONS			
CODE	DESCRIPTION	CODE	DESCRIPTION	CABLE			OUTPUT:
L	Low temperature	C	Low consumption	CV			AX RAD
Y	Unbreakable disk	K	Invert. phase A,B,Zero.	CONNECTOR			OUTPUT:
Z	Sealed ball bearing	J	Zero logic combination	CM	SM	CL SL CH	AX RAD
H	Different shaft Ø	M	Impregnated electronic	CABLE END CONNECTOR			OUTPUT:
S	160 KHz frequency	A	High temperature	VM	TM	VL TL VD VH VH5 VI	AX
W	300 KHz frequency	P	Compressed air attack	VE	VK	TK VN VH6 VM5 VM9 VS	RAD
X	Custom options	Q	Oil seal	TERMINAL BOX			OUTPUT:
		G	Tropicalization				

ORDERING INFORMATION



NOTE: FOR 88C30 MAX 15 Vdc

Product manufactured according to UNIEN ISO 9001:2000, supplied with CHECKING and CONFORMITY declaration with CE mark and with TWO (2) YEARS WARRANTY starting from delivery date.

- (1) For further information see PULSES/REVOL. data sheet
- (2) For further information see ELECTRONIC data sheet
- (3) For further information see CONNECTION data sheet

COPYRIGHT by ELCIS - College (TO)

