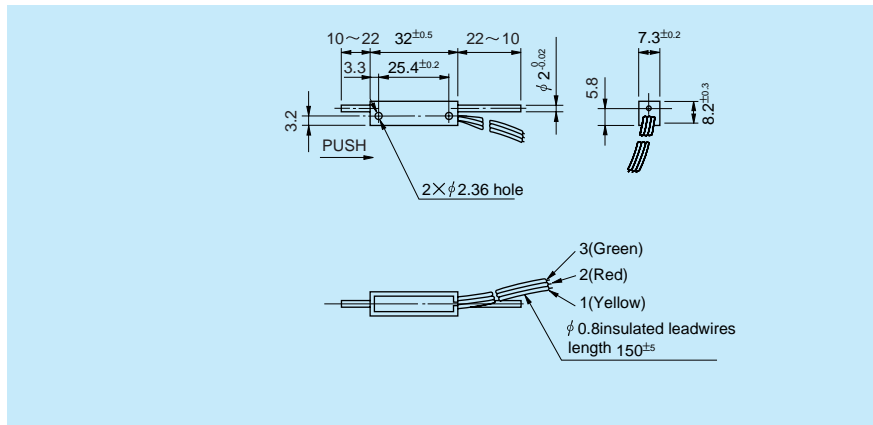




● Standard Dimensions



● General Specifications

Standard Resistance Values:	1k, 2k, 5k, 10k, 20k (Ω)	Power Rating:	0.2W
Max. Practical Resistance Value:	50k Ω	Electrical Stroke:	11 \pm 0.5mm
Total Resistance Tolerance:	Standard Class \pm 15% (L) Precision Class \pm 10% (K)	Mechanical Stroke:	12mm
Independent Linearity Tolerance:	Standard Class \pm 2.0% Precision Class \pm 1.0%	Insulation Resistance:	Over 1,000M Ω at 500V.D.C.
Resolution:	Essentially infinite	Dielectric Strength:	1 minute at 500V.A.C.
Output Smoothness:	Below 0.1% against input voltage	Friction:	Below 0.3N (30gf)
Contact Resistance Variation:	Below 2% C.R.V.	Stopper Strength:	Approx. 10N (1kgf)
		Resistance Temperature Coefficient:	\pm 400p.p.m./ $^{\circ}$ C
		Mass:	Approx. 5g

● Special Specifications Available

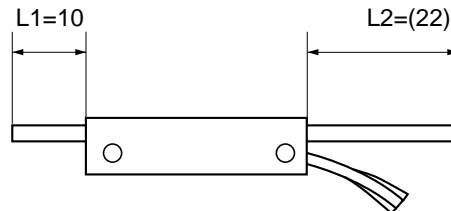
Spring return device incorporated (Friction is approx. 3N [300gf].), Special electrical stroke (8mm, 12mm), Special machining on the shaft.

● SPECIAL NOTE

When ordering on the requirement of special shaft length in case of our linear-motion potentiometers, especially models 30LP, 50LP, 8FLP and 15FLP series as standard version with front and rear shaft extension, please do not fail to specify the shaft length exactly when the shaft is completely pressed into the housing.

Example: In case of model 8FLP10A standard version

As you see from the above right drawing, please specify the exact length of L1 and L2 when the shaft is completely pressed into the housing.



The condition of spring returned

In case of models with spring return device, the condition of spring returned is as right drawing and please specify the exact length of L1 and L2 when the shaft is completely pressed into the housing.

