



Sensors for motion control

Decentralised display, preprocessing and conversion of analogue signals



Pulse evaluation systems



Mini display to monitor values

Compact design with
protection rating IP 67

Parameter setting via IO-Link

Conversion of analogue
measured values to an IO-Link
communication

Conversion of IO-Link values to
two analogue output signals



Analogue signals at a glance

The compact connector unit DP2200 is simply inserted in the connection cable of analogue sensors (4...20 mA). It displays the measured values locally. The user can set a switch point or limit at which the transistor output switches.

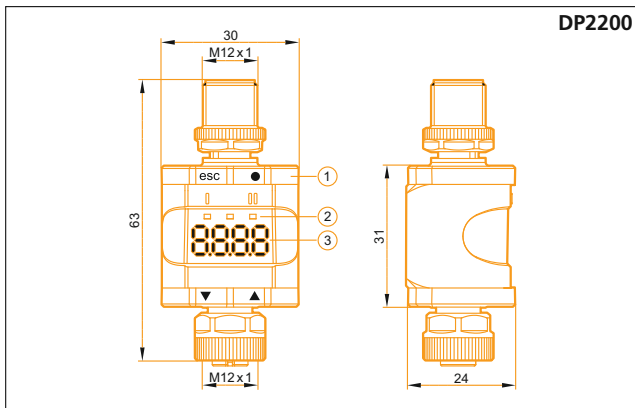
A colour change (red/green) of the display indicates this unmistakably. Critical process states or operational problems are reliably signalled.

Converter for Industry 4.0

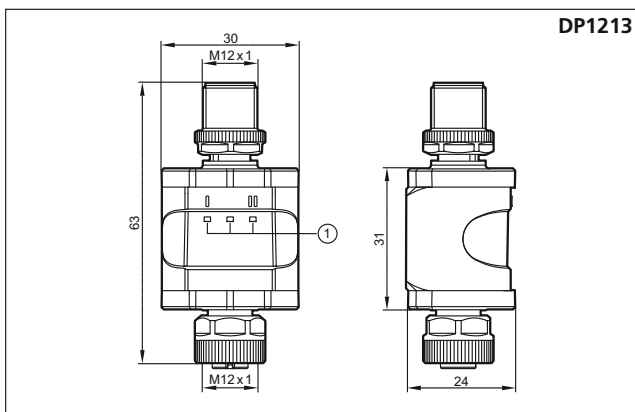
A special feature is the signal conversion: The threshold display DP2200 converts analogue signals to digital IO-Link signals. The DP1213 converter, on the contrary, allows for generation of two analogue 4...20 mA signals from IO-Link data.



Dimensions

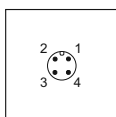


- 1) Push ring
- 2) LEDs
- 3) Display



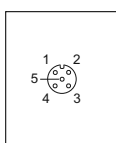
- 1) LEDs

Wiring diagram DP2200



M12: plug

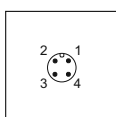
- Pin 1: L+ supply
- Pin 2: OUT2 analogue output
- Pin 3: L- supply
- Pin 4: OUT1 switching output 1 or IO-Link



M12: socket

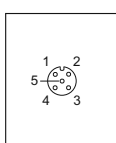
- Pin 1: L+ sensor supply
- Pin 2: 4...20 mA analogue input
- Pin 3: L- sensor supply
- Pin 4: not used
- Pin 5: not used

Wiring diagram DP1213



M12: plug

- Pin 1: L+
- Pin 2: not used
- Pin 3: L-
- Pin 4: C/Q IO-Link



M12: socket




- Pin 1: L+
- Pin 2: 4...20 mA analogue output 2
- Pin 3: L-
- Pin 4: 4...20 mA analogue output 1
- Pin 5: not used

Technical data

Threshold display		Order no. DP2200
Operating voltage	[V DC]	27 (typ. 24)
Inputs		1 x analogue, 4...20 mA
Outputs		1 x digital / IO-Link, normally open / closed programmable 1 x analogue, 4...20 mA
Display		7-segment LED display 4-digit red/green programmable
Output status indication	LED	yellow
Operation	LED	green
Protection		IP 67
Ambient temperature	[°C]	-25...70
Wiring		M12 connector

Converter IO-Link / 2 x 4...20 mA		Order no. DP1213
Operating voltage	[V DC]	18...30
Inputs		IO-Link
Analogue outputs		2 x 4...20 mA
Display		-
Current consumption	[mA]	300
Output status indication	LED	yellow
Operation	LED	green
Protection		IP 67
Ambient temperature	[°C]	-25...70
Wiring		M12 connector

Accessories

Type	Description	Order no.
	Mounting clip	E89208
	USB IO-Link master for parameter setting and analysis of units Supported communication protocols: IO-Link (4.8, 38.4 and 230 kbits/s)	E30390
	LR DEVICE (supplied on USB flash drive) Software for online and offline parameter setting of IO-Link sensors and actuators	QA0011