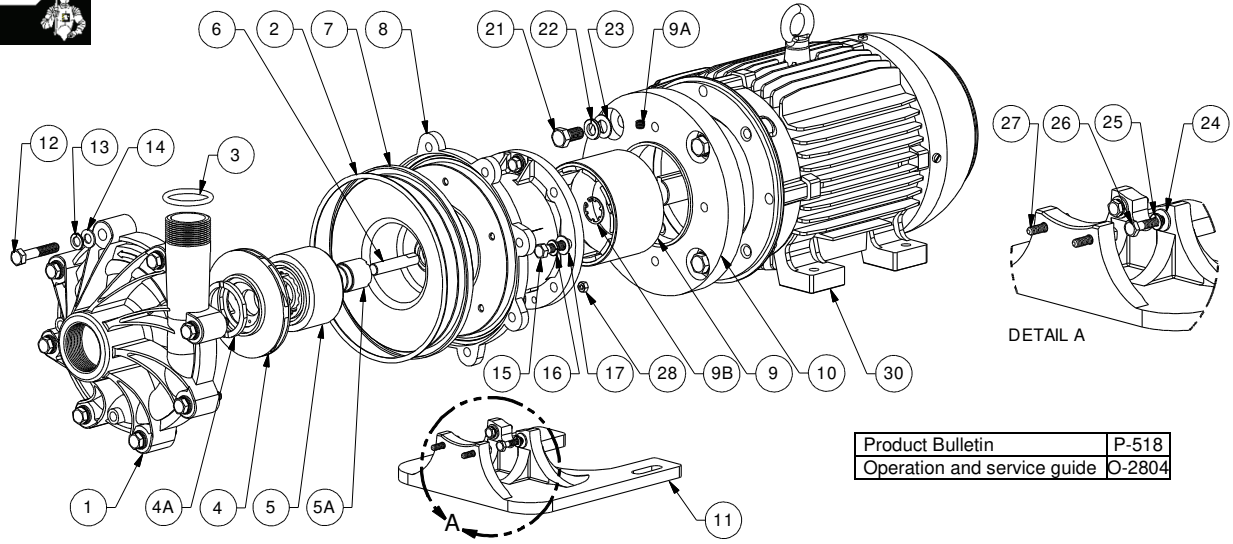




SERFILCO®

SERIES 'FE' MAGNETIC COUPLED PUMP

PARTS LIST
P-4090_A
04/26/10
Page 1 of 2



NO.	Description	Material Type	Qty	FE1 PP	FE1 PVDF	FE2 PP	FE2 PVDF
8	Motor Adapter (add "-1" for Atex, "-T" for TI Hardware)		1	51-1458	51-1459	51-1458	51-1459
9	Drive Magnet Assembly (includes set screw & snap ring)	56C Fr. 6-Pole 145TC Fr. 6-Pole 145TC Fr. 8-Pole 184TC Fr. 10-Pole	1			51-1430 51-1430 1 51-1431 51-1432	
	(includes snap ring)	80 Fr. 6-Pole 90 Fr. 6-Pole 90 Fr. 8-Pole 100/112 Fr. 10-Pole				51-1430 2 51-1430 3 51-1431 1 51-1432 1	
9A	Set Screws- NEMA Motor Frames Only		1			51-1433	
9B	Snap Ring	56C Fr. 145TC Fr. 184TC Fr. 80 Fr. 90 Fr. 100/112 Fr.	1			51-1434 51-1435 51-1436 51-1437 51-1438 51-1436	
10	Motor Adapter Flange (PP-blue, PVDF- black)	184TC Fr. 80 Fr. 90 Fr. 100/112 Fr. 80/90 Fr. B5 100/112 Fr. B5	1	51-1439 51-1440 51-1441 51-1442 51-1447 51-1448	51-1439 1 51-1440 1 51-1441 1 51-1442 1 51-1447-1 51-1448-1	51-1439 51-1440 51-1441 51-1442 51-1447 51-1448	51-1439 1 51-1440 1 51-1441 1 51-1442 1 51-1447-1 51-1448-1
	ATEX (PVDF carbon filled)	80 Fr. 90 Fr. 100/112 Fr. 80/90 Fr. B5 100/112 Fr. B5	1	n/a n/a n/a n/a n/a	51-1443 51-1444 51-1445 51-1447-1 51-1448-1	n/a n/a n/a n/a n/a	51-1443 51-1444 51-1445 51-1447-1 51-1448-1
11	Foot - PP (PP-blue, PVDF-black)	Standard 100 Fr. 112 Fr.	1	51-1446 51-1446 2 51-1446 4	51-1446 1 51-1446 3 51-1446 5	51-1446 51-1446 2 51-1446 4	51-1446 1 51-1446 3 51-1446 5

Hardware			Qty	Stainless Steel (SS)	Titanium (TI)
12	Bolt, Housing	M10-1.5x55mm	8	11-0898	11-0898 T
13	Washer Lock, Housing	M10	8	11-0899	11-0899 T
14	Washer Flat, Housing	7/16"	8	11-0662	11-0662 T
15	Bolts, Motor Adapter	3/8-16 x 1 1/4"	4	11-0372	11-2122
16	Washer Lock, Motor Adapter	3/8"	4	11-0140	11-2068
17	Washer Flat, Motor Adapter	3/8"	4	11-0126	11-2067
18	Bolt, Drive (IEC motors only)	M6x16 80 Fr. IEC M8x20 90 Fr. IEC M10x30 100/112 Fr. IEC	1	11-0904 11-0905 11-0906	11-0904 T 11-0905 T 11-0906 T
19	Washer, Drive (Lock)	1/4" 80 Fr. IEC 5/16" 90 Fr. IEC 3/8" 100/112 Fr. IEC	1	11-0322 11-0355 11-0140	11-0322 T 11-0355 T 11-2068
20	Washer, Drive (Flat)	1/4" 80 Fr. IEC 7/16" 90 Fr. IEC 10mm 100/112 Fr. IEC	1	11-0121 11-0662 11-0903	11-0534 11-0662 T 11-0903 T
21	Bolt	1/2-13x1 1/4 184TC Fr. M6x25 80 Fr. M8x20 90 & 100/112 Fr	4	11-2188 11-0902 11-0905	11-2188 T 11-0902 T 11-0905 T
22	Washer (Lock)	1/2" 184TC Fr. 1/4" 80 Fr. 5/16" 90 & 100/112 Fr	4	11-0343 11-0322 11-0355	11-2167 11-0322 T 11-0355 T
23	Washer (Flat)	1/2" 184TC Fr. 1/4" 80 Fr. 5/16" 90 & 100/112 Fr	4	11-0711 11-0121 11-0122	11-2168 11-0534 11-0122 T
24	Washer, Flat	1/4"	4	11-0121	11-0534
25	Washer, Lock	1/4"	4	11-0322	11-0322 T
26	Bolt, Foot Rear	M6x30mm	4	11-0908	11-0908 T
27	Bolt, Foot Front	M6x35mm	4	11-0909	11-0909 T
28	Nut, Foot Rear	M6	2	11-0911	11-0911 T

30 Motor				3/4 HP	1 HP	1-1/2 HP	2 HP	3 HP	5 HP
FRAME	PHASE	HZ	VOLTAGE						
56C	1	60	115/208-230	44-7028	44-7119	44-7121	-	-	-
56C	3	60	208-230/460	44-7029	44-7124	44-7127	-	-	-
145TC	3	60	208-230/460	-	-	-	44-7130	44-7133	-
184TC	3	60	208-230/460	-	-	-	-	-	44-7362
56C	1	50	110/220	-	66-2647 5C	66-2648 5C	-	-	-
56C	3	50	220/380/440	-	66-2644 5C	-	-	-	-
145TC	3	50	220/380/440	-	-	66-2645 5C	66-1384 5C	-	-
182/4TC	3	50	220/380/440	-	-	-	-	44-7380 5	44-7362 5
FRAME	PHASE	HZ	VOLTAGE	1 HP/.75KW	1.5 HP/1.1KW	2 HP/1.5 KW	3 HP/2.2KW	4 HP/3KW	5.5 HP/4KW
80 IEC	3	50	200/400	66-2655	66-2656	-	-	-	-
90 IEC	3	50	200/400	-	-	66-2657	66-2658	-	-
100 IEC	3	50	200/400	-	-	-	-	66-2659	-
112 IEC	3	50	200/400	-	-	-	-	-	66-2660