

# Rosemount™ 3051 Pressure Transmitter



The Rosemount 3051 Pressure Transmitter allows more control over your plant. You will:

- reduce product variation and complexity
- reduce total cost of ownership by leveraging one device across a number of pressure, level, and flow applications
- access information to diagnose, correct, and even prevent issues

With unparalleled reliability and experience, the 3051 assists global competitiveness by being the industry standard enabling higher levels of efficiency and safety.

---

**Contents**

Setting the standard for pressure measurement..... 2

Rosemount 3051C Coplanar Pressure Transmitter ordering information..... 7

Rosemount 3051T In-Line Transmitter ordering information..... 19

Rosemount 3051CF Flow Meter selection guide..... 29

Rosemount 3051L Level Transmitter ordering information..... 64

Specifications..... 75

Rosemount 3051 product certifications..... 93

Dimensional drawings ..... 94

Options..... 108

# Setting the standard for pressure measurement

## Proven best-in-class performance, reliability, and safety



- More than ten million installed
- Reference accuracy 0.04 percent of span
- Installed total performance of 0.14 percent of span
- 10-year stability of 0.2 percent of URL
- SIL 2/3 certified (IEC 61508)

## Maximize installation and application flexibility with the Coplanar™ platform

- Improve reliability and performance with integrated DP Flow meters, DP Level solutions, and integral manifolds.
- Easy installation with all solutions fully assembled, leak-tested, and calibrated.
- Meet your application needs with a broad offering.

## Advanced functionality

### Bluetooth® technology

- Increase productivity, reliability, and personnel safety. No hot work permit needed. No climbing tanks or building scaffolding.
- Quickly configure, service, and troubleshoot with access to all devices near the technician at speeds up to 10 times faster than traditional HART® connections.



### Diagnostics

- The **Loop Integrity** diagnostic continuously monitors the electrical loop to detect issues that affect the communication signal and will alert you to corrosion, water in the housing, or an unstable power supply.
- The **Plugged Impulse Line** diagnostic continuously monitors for plugged impulse lines and alerts you to abnormal conditions so you can take proactive measures before it affects the quality of the process.
- Diagnostic events are tracked in the built-in diagnostic log which allows you to see the device status at all times.
- These capabilities are safety certified for your most critical applications.



Enhanced software

- Application specific configuration allows you to transform your pressure transmitter into a flow meter with a totalizer or a level transmitter with volume calculations.
- Process alerts can be:
  - Configured for any dynamic variable
  - Given a custom name
  - Assigned target thresholds

Process alerts can also notify via HART alert or analog output alarm.



Quick service buttons

- Straightforward menus and built-in configuration buttons allow you to quickly commission the device.
- Configure in hazardous-area locations without removing the transmitter cover using external buttons.



## Industry leading capabilities extended to IEC 62591 (*WirelessHART*<sup>®</sup>)



- Cost effectively implement wireless on the industry's most proven platform.
- Optimize safety with the industry's only intrinsically safe power module.
- Eliminate wiring design and construction complexities to lower costs by 40 to 60 percent.
- Quickly deploy new pressure, level, and flow measurements in 70 percent less time.

## Innovative integrated DP flow meters



- Fully assembled and leak tested for out-of-the-box installation.
- Easy commissioning with factory configuration of flow rate and totalized flow.
- Reduce straight pipe requirements, lower permanent pressure loss, and achieve accurate measurement in small line sizes.
- Up to 1.65 percent volumetric flow accuracy at 8:1 turndown.

## Proven, reliable, and innovative DP Level technologies



- Connect to virtually any process with a comprehensive offering of process connections, fill fluids, direct mount, or capillary connections and materials.
- Configuration wizard guides you through complex level applications and enables volume measurement.
- Quantify and optimize total system performance with QZ option.
- Operate at higher temperature and in vacuum applications.
- Optimize level measurement with cost efficient Rosemount Tuned-System™ assemblies.

## Instrument manifolds – high quality, convenient, and easy



- Designed and engineered for optimal performance with Rosemount transmitters.
- Save installation time and money with factory assembly.
- Offers a variety of styles, materials, and configurations.

## Access information when you need it with asset tags

Newly shipped devices include a unique QR code asset tag that enables you to access serialized information directly from the device. With this capability, you can:

- Access device drawings, diagrams, technical documentation, and troubleshooting information in your MyEmerson account.
- Improve mean time to repair and maintain efficiency.
- Ensure confidence that you have located the correct device.
- Eliminate the time-consuming process of locating and transcribing nameplates to view asset information.

# Rosemount 3051C Coplanar Pressure Transmitter ordering information



Rosemount 3051C Coplanar Pressure Transmitters are the industry standard for differential, gage, and absolute pressure measurement. The coplanar platform enables seamless integration with manifolds, flow, and level solutions.

- **Loop Integrity** and **Plugged Impulse Line Diagnostics** detect issues that might compromise the integrity of the output signal (code DA1).
- Bluetooth® connectivity enables efficient, reliable, and safe configuration and maintenance (code BLE).
- Back-lit graphical display with local language capability (code M6).
- Safety certification and proof testing (code QT and T9).

[CONFIGURE >](#)

[VIEW PRODUCT >](#)

## Online product configurator

Many products are configurable online using our product configurator.

Select the **Configure** button or visit [Emerson.com/global](https://emerson.com/global) to start. With this tool's built-in logic and continuous validation, you can configure your products more quickly and accurately.

## Specifications and options

The purchaser of the equipment must specify and select:

- Product materials
- Options
- Components

## Model codes

Model codes contain the details related to each product. Exact model codes will vary; an example of a typical model code is shown in [Figure 1](#).

**Figure 1: Model Code Example**

<b>3051CD3A22A1A</b>	<b>WR5M6BLEDA1</b>
1	2

1. Required model components (choices available on most)

2. Additional options (variety of features and functions that may be added to products)

## Optimizing lead time

The starred offerings (★) represent the most common options and should be selected for the fastest delivery. The non-starred offerings are subject to additional delivery lead time.

## Required model components

### Model

Code	Description	
3051C	Coplanar pressure transmitter	★

### Measurement type

Code	Description	
D	Differential	★
G	Gage	★
A <sup>(1)</sup>	Absolute	

- (1) If ordered with wireless output (code X), only available with 316L stainless steel (SST) diaphragm material (code 2), and silicone fill fluid (code 1).

### Pressure range

Code	Differential (Rosemount 3051CD)	Gage (Rosemount 3051CG)	Absolute (Rosemount 3051CA)	
0 <sup>(1)</sup>	-3 to +3 inH <sub>2</sub> O (-7.46 to +7.46 mbar)	N/A	N/A	
1	-25 to +25 inH <sub>2</sub> O (-62.16 to +62.16 mbar)	-25 to +25 inH <sub>2</sub> O (-62.16 to +62.16 mbar)	0 to 30 psia (0 to 2.06 bar)	★
2	-250 to +250 inH <sub>2</sub> O (-621.60 to +621.60 mbar)	-250 to +250 inH <sub>2</sub> O (-621.60 to +621.60 mbar)	0 to 150 psia (0 to 10.34 bar)	★
3	-1000 to +1000 inH <sub>2</sub> O (-2.48 to +2.48 bar)	-393 to +1000 inH <sub>2</sub> O (-0.97 to +2.48 bar)	0 to 800 psia (0 to 55.15 bar)	★
4	-300 to +300 psi (-20.68 to +20.68 bar)	-14.2 to +300 psi (-0.97 to +20.68 bar)	0 to 4000 psia (0 to 275.79 bar)	★
5	-2000 to +2000 psi (-137.89 to +137.89 bar)	-14.2 to +2000 psi (-0.97 to +137.89 bar)	N/A	★

- (1) Rosemount 3051CD0 is only available with 4-20 mA HART® or WirelessHART® outputs (code A and code X). For 4-20 mA HART output (code A), only transmitter flange code 0 (Alternate flange H2, H7, HJ, or HK), isolating diaphragm code 2, O-ring code A, and bolting option L4 are available. For wireless output (code X), only transmitter flange code 0 (Alternate flange H2), isolating diaphragm code 2, O-ring code A, and bolting option L4 are available.

## Transmitter output

Code	Description	
A	4–20 mA with digital signal based on HART® Protocol	★
F	FOUNDATION™ Fieldbus Protocol	★
W <sup>(1)</sup>	PROFIBUS® PA Protocol	★
X <sup>(2)</sup>	Wireless (requires wireless options and engineered polymer housing)	★
M <sup>(3)</sup>	Low-power, 1–5 Vdc with digital signal based on HART Protocol	

(1) For local addressing and configuration, M4 (LOI) is required. Not available with product certification codes EM, IM, KM, KL, and KS.

(2) This option is only available with intrinsically safe approvals.

(3) Only available with C6, E2, E5, I5, K5, KB, EM, IM, KM, EP, and E8 product certifications.

## Materials of construction

Code	Transmitter flange type	Flange material	Drain/vent	
2	Coplanar	SST	SST	★
3 <sup>(1)</sup>	Coplanar	Cast C-276	Alloy C-276	★
4	Coplanar	Alloy 400	Alloy 400/K-500	★
5	Coplanar	Plated CS	SST	★
7 <sup>(1)</sup>	Coplanar	SST	Alloy C-276	★
8 <sup>(1)</sup>	Coplanar	Plated CS	Alloy C-276	★
0	Alternate process connection			★

(1) Materials of construction comply with recommendations per NACE MR0175/ISO 15156 for sour oil field production environments. Environmental limits apply to certain materials. Consult latest standard for details. Selected materials also conform to NACE MR0103 for sour refining environments.

## Isolating diaphragm

Code	Description	
2 <sup>(1)</sup>	316L SST	★
3 <sup>(1)</sup>	Alloy C-276	★
4 <sup>(2)</sup>	Alloy 400	
5 <sup>(2)</sup>	Tantalum (available on Rosemount 3051CD and CG, ranges 2–5 only; not available on Rosemount 3051CA)	
6 <sup>(2)</sup>	Gold-plated alloy 400 (use in combination with O-ring option code B)	
7 <sup>(2)</sup>	Gold-plated 316 SST	

(1) Materials of construction comply with recommendations per NACE MR0175/ISO 15156 for sour oil field production environments. Environmental limits apply to certain materials. Consult latest standard for details. Selected materials also conform to NACE MR0103 for sour refining environments.

(2) Not available with wireless output (code X).

## O-ring

Code	Description	
A	Glass-filled PTFE	★
B	Graphite-filled PTFE	★

## Sensor fill fluid

Code	Description	
1	Silicone	★
2 <sup>(1)</sup>	Inert (differential and gage only)	★

(1) Not available with wireless output (code X).

## Housing material

Code	Description	Conduit entry size	
A	Aluminum	½-14 NPT	★
B	Aluminum	M20 x 1.5	★
J	SST	½-14 NPT	★
K	SST	M20 x 1.5	★
P <sup>(1)</sup>	Engineered polymer	No conduit entries	★
D <sup>(2)</sup>	Aluminum	G½	
M <sup>(2)</sup>	SST	G½	

(1) Only available with wireless output (code X).

(2) Transmitter conduit entry will be ½ NPT and a ½ NPT to G½ thread adapter will be provided. These options are only available with product certifications option I1. Product certifications option IG are available with aluminum only (option D).

## Wireless options

Requires wireless output (code X) and engineered polymer housing (code P).

## Wireless transmit rate, operating frequency, and protocol

Code	Description	
WA3	User configurable transmit rate, 2.4 GHz WirelessHART®	★

## Antenna and SmartPower™

Code	Description	
WP5	Internal antenna, compatible with Green Power Module (I.S. Power Module sold separately)	★

## Additional options

### Local wireless device access

Code	Description	
BLE <sup>(1)</sup>	Bluetooth® configuration and maintenance	★

(1) Requires the Graphical LCD display (code M6).

### Extended product warranty

Code	Description	
WR3	3-year limited warranty	★
WR5	5-year limited warranty	★

### Plantweb™ control functionality

Code	Description	
A01	FOUNDATION™ Fieldbus control function block suite	★

### Plantweb™ diagnostic functionality

Code	Description	
DA0 <sup>(1)</sup>	Loop Integrity diagnostic	★
DA1 <sup>(2)</sup>	Loop Integrity and Plugged Impulse Line diagnostics	★
D01	FOUNDATION™ Fieldbus Diagnostics Suite	★

(1) Only available with 4–20 mA HART® protocol (code A).

(2) Only available with 4–20 mA HART (code A) and low power (code M) output codes. With low power output code, only the Plugged Impulse Line Diagnostic is included.

### Alternate flange

The alternate flange option requires the 0 code in materials of construction for alternate process connection.

Code	Description	
H2	Traditional flange, 316 SST, SST drain/vent	★
H3 <sup>(1)</sup>	Traditional flange, alloy C, alloy C-276 drain/vent	★
H4	Traditional flange, cast alloy 400, alloy 400/K-500 drain/vent	★
H7 <sup>(1)</sup>	Traditional flange, 316 SST, alloy C-276 drain/vent	★
HJ	DIN-compliant traditional flange, SST, 7/16-in. (10 mm) adapter/manifold bolting	★
FA	Level flange, SST, 2-in. (51 mm), ANSI Class 150, vertical mount 316 SST drain/vent	★
FB	Level flange, SST, 2-in. (51 mm), ANSI Class 300, vertical mount 316 SST drain/vent	★
FC	Level flange, SST, 3-in. (76 mm), ANSI Class 150, vertical mount 316 SST drain/vent	★
FD	Level flange, SST, 3-in. (76 mm), ANSI Class 300, vertical mount 316 SST drain/vent	★
FP	DIN level flange, SST, DN 50, PN 40, vertical mount 316 SST drain/vent	★
FQ	DIN level flange, SST, DN 80, PN 40, vertical mount 316 SST drain/vent	★

HK <sup>(2)</sup>	DIN compliant traditional flange, SST, 0.40-in. (10 mm) adapter/manifold bolting 316 SST	
HL	DIN compliant traditional flange, SST, 0.50-in. (12 mm) adapter/manifold bolting 316 SST	

- (1) *Materials of construction comply with recommendations per NACE MR0175/ISO 15156 for sour oil field production environments. Environmental limits apply to certain materials. Consult latest standard for details. Selected materials also conform to NACE MR0103 for sour refining environments.*
- (2) *Not valid with option code P9 for 4500 static pressure.*

## Manifold assembly

“Assemble-to” items are specified separately and require a completed model number.

Code	Description	
S5	Assemble to Rosemount 305 Integral Manifold	★
S6	Assemble to Rosemount 304 Manifold or Connection System	★

## Integral mount primary element

Not valid with option code P9 for 4500 static pressure. “Assemble-to” items are specified separately and require a completed model number.

Code	Description	
S3	Assemble to Rosemount 405 Compact Orifice Plate	★
S4 <sup>(1)</sup>	Assemble to Rosemount Annubar™ or Rosemount 1195 Integral Orifice	★

- (1) *Transmitter flange limited to coplanar (option codes 2, 3, 5, 7, or 8) or traditional (option codes H2, H3, or H7).*

## Seal assemblies

“Assemble-to” items are specified separately and require a completed model number.

Code	Description	
S1 <sup>(1)</sup>	Assemble to one Rosemount seal	★
S2 <sup>(2)</sup>	Assemble to two Rosemount seals	★

- (1) *Not valid with option code D9 for RC½ adapters.*
- (2) *Not valid for option codes DF and D9 for adapters.*

## Mounting bracket

Panel mounting bolts are not supplied.

Code	Description	
B4	Coplanar flange bracket, all SST, 2-in. (51 mm) pipe and panel	★
B1	Traditional flange bracket, CS, 2-in. (51 mm) pipe	★
B2	Traditional flange bracket, CS, panel	★
B3	Traditional flange flat bracket, CS, 2-in. (51 mm) pipe	★
B7	Traditional flange bracket, B1 with SST bolts	★
B8	Traditional flange bracket, B2 with SST bolts	★
B9	Traditional flange bracket, B3 with SST bolts	★
BA	Traditional flange bracket, B1, all SST	★
BC	Traditional flange bracket, B3, all SST	★

BE	316SST B4 bracket with 316SST bolts	
----	-------------------------------------	--

## Product certifications

Code	Description	
E8	ATEX Flameproof	★
I1 <sup>(1)</sup>	ATEX Intrinsic Safety	★
IA	ATEX FISCO Intrinsic Safety; for FOUNDATION™ Fieldbus or PROFIBUS® PA Protocol only	★
N1	ATEX Type n Certification	★
K1	ATEX Flameproof, Intrinsic Safety, Type n, Dust (combination of E8, I1, and N1)	★
E4 <sup>(2)</sup>	Japan Flameproof	★
E5	USA Explosion-proof, Dust Ignition-proof	★
I5 <sup>(3)</sup>	USA Intrinsically Safe, Non-incendive	★
K5	USA Explosion-proof, Dust Ignition-proof, Intrinsically Safe, and Division 2	★
E6	Canada Explosion-proof, Dust Ignition-proof, Division 2	★
I6	Canada Intrinsic Safety	★
C6	Canada Explosion-proof, Dust Ignition-proof, Intrinsically Safe, and Division 2	★
K6	Canada and ATEX Explosion-proof, Intrinsically Safe, and Division 2 (combination of C6, E8, and I1)	★
E7	IECEX Flameproof	★
I7	IECEX Intrinsic Safety	★
N7	IECEX Type n Certification	★
K7	IECEX Flameproof, Dust Ignition-proof, Intrinsic Safety, and Type n (combination of I7, N7, and E7)	★
IG	IECEX FISCO Intrinsically Safe; for FOUNDATION Fieldbus or PROFIBUS PA Protocols only	★
E2	Brazil Flameproof	★
I2	Brazil Intrinsic Safety	★
IB	Brazil FISCO Intrinsically Safe; for FOUNDATION Fieldbus or PROFIBUS PA Protocols only	★
K2	Brazil Flameproof, Intrinsic Safety	★
E3	China Flameproof	★
I3	China Intrinsic Safety	★
EM	Technical Regulations Customs Union (EAC) Flameproof	★
IM	Technical Regulations Customs Union (EAC) Intrinsic Safety	★
KM	Technical Regulations Customs Union (EAC) Flameproof and Intrinsic Safety	★
KB	USA and Canada Explosion-proof, Dust Ignition-proof, Intrinsically Safe, and Division 2 (combination of K5 and C6)	★
KD	USA, Canada, and ATEX Explosion-proof, Intrinsically Safe (combination of K5, C6, I1, and E8)	★
KL <sup>(4)</sup>	USA, Canada, IECEX, ATEX Intrinsic Safety Combination	★
KS	USA, Canada, IECEX, ATEX Explosion-proof, Intrinsically Safe, Dust, Non-incendive, Type N, Division 2	★
EP	Republic of Korea Flameproof	★
IP	Republic of Korea Intrinsic Safety	★
KP	Republic of Korea Flameproof, Intrinsic Safety	★

(1) *Dust approval not applicable to wireless (output code X). For wireless approvals, see the Certifications section of the [Rosemount 3051 Wireless Pressure Transmitters Reference Manual](#).*

- (2) Only available with 4–20 mA HART® (output code A), FOUNDATION Fieldbus (output code F), or PROFIBUS PA (output code W). Only available with aluminum housing and ½ NPT conduit entry size (housing material code A).
- (3) Non-incendive certification not provided with wireless (output code X).
- (4) Only available with wireless (output code X).

## Drinking water approval

This approval is not available with Alloy C-276 isolator (code 3), tantalum isolator (code 5), all cast C-276 flanges, all plated carbon steel flanges, all DIN flanges, all level flanges, assemble-to manifolds (option codes S5 and S6), assemble-to seals (option codes S1 and S2), assemble-to primary elements (option codes S3 and S4), surface finish certification (option code Q16), and remote seal system report (code QZ).

Code	Description	
DW	NSF drinking water approval	★

## Shipboard approvals

Not available with wireless output (code X).

Code	Description	
SBS	American Bureau of Shipping	★
SBV <sup>(1)</sup>	Bureau Veritas (BV)	★
SDN	Det Norske Veritas	★
SLL <sup>(1)</sup>	Lloyds Register (LR)	★

(1) Only available with product certification options E7, E8, I1, I7, IA, K7, K8, KD, N1, and N7.

## SST tagging

Code	Description	
Y2	316 SST nameplate, top tag, wire-on tag, and fasteners	

## Custody transfer

The custody transfer option is only available with HART® 4–20 mA output (code A).

Code	Description	
C5	Measurement Canada Accuracy Approval (limited availability depending on transmitter type and range; contact an Emerson representative).	★

## Bolting material

Code	Description	
L4	Austenitic 316 SST bolts	★
L5	ASTM A 193, grade B7M bolts	★
L6	Alloy K-500 bolts	★

## Display and interface options

M5	Description	
M6 <sup>(1)</sup>	Graphical LCD display	★

M5	LCD display	★
M4 <sup>(2)</sup>	LCD display with LOI	★

(1) Only available with 4-20 mA HART® output (code A).

(2) Only available with 4-20 mA HART® output (code A), Low Power (code M), and PROFIBUS®-PA (code W).

### Calibration certificate

Code	Description	
Q4	Calibration certificate	★
QP	Calibration certification and tamper evident seal	★

### Material traceability certification

Code	Description	
Q8	Material traceability certification per EN 10204 3.1	★

### Positive material identification (PMI)

Code	Description	
Q76	PMI verification and certificate	★

### Quality certification for safety

The quality certification for safety is only available with HART® 4–20 mA output (code A).

Code	Description	
QT	Safety certified to IEC 61508 with certificate of FMEDA	★

### Enhanced safety

Only available with HART® 4-20 mA output (Code A).

Code	Description	
T9	Enhanced SIS proof testing and logging	★

### Configuration buttons

Code	Description	
D1 <sup>(1)</sup>	Quick service buttons	★
D4 <sup>(2)</sup>	Analog zero and span	★
DZ <sup>(3)</sup>	Digital zero trim	★

(1) Only available with Graphical LCD Display (code M6).

(2) Only available with HART® 4–20 mA (output code A).

(3) Only available with HART 4–20 mA (output code A) and wireless (output code X).

### Transient protection

The transient protection option is not available with wireless (option code X). The T1 option is not needed with FISCO Product Certifications; transient protection is included in the FISCO product certification codes IA, IB, and IE.

Code	Description	
T1	Transient protection terminal block	★

### Software configuration

The software configuration option is only available with HART® 4–20 mA (option code A) and wireless (option code X).

Code	Description	
C1	Custom software configuration (For wired, see the Rosemount 3051 <a href="#">Configuration Data Sheet</a> . For wireless, see the Rosemount 3051 Wireless <a href="#">Configuration Data Sheet</a> .)	★

### Gauge pressure calibration

Code	Description	
C3	Gauge calibration (Rosemount 3051CA only)	★

### Alarm levels

The alarm levels option is only available with HART® 4–20 mA output (code A).

Code	Description	
C4	Analog output levels compliant with NAMUR recommendation NE 43, alarm high	★
CN	Analog output levels compliant with NAMUR recommendation NE 43, alarm low	★
CR	Custom alarm and saturation signal levels, high alarm (requires option code C1)	★
CS	Custom alarm and saturation signal levels, low alarm (requires option code C1)	★
CT	Rosemount standard low alarm	★

### Pressure testing

Code	Description	
P1	Hydrostatic testing with certificate	

### Cleaning process area

Code	Description	
P2	Cleaning for special service	
P3 <sup>(1)</sup>	Cleaning for <1 ppm chlorine/fluorine	

(1) Not available with code S5.

### Flange adapters

This option is not valid with alternate process connection option codes S3, S4, S5, and S6.

Code	Description	
DF	½–14 NPT flange adapter(s)	★

## Vent drain valves

Code	Description	
D7	Coplanar flange without drain/vent ports	
DC	Ports left open - None	

## Conduit plug

The conduit plug option is not available with wireless output (code X).

Code	Description	
DO	316 SST conduit plug	★

## RC¼ RC½ process connection

This option is not available with alternate process connection, DIN flanges, and level flanges.

Code	Description	
D9	RC¼ flange with RC½ flange adapter - SST	

## Maximum static line pressure

Code	Description	
P9	4500 psig (310.26 bar) static pressure limit (Rosemount 3051CD ranges 2-5 only)	★

## Ground screw

The ground screw option is not available with wireless output (code X). The V5 option is not needed with the T1 option; external ground screw assembly is included with the T1 option.

Code	Description	
V5	External ground screw assembly	★

## Surface finish

Code	Description	
Q16	Surface finish certification for sanitary remote seals	★

## Total system performance reports

Code	Description	
QZ	Remote seal system performance calculation report	★

## Conduit electrical connector

The conduit electrical connector option is not available with wireless output (code X).

Code	Description	
GB	ATEX Cable gland and plug, M20 x 1.5, polyamide, black	
GE	M12, 4-pin, male connector (eurofast®)	★
GM	A size mini, 4-pin, male connector (minifast®)	★

## NACE certificate

Note that NACE®-compliant wetted materials are required. Materials of construction must comply with recommendations per NACE MR0175/ISO 15156 for sour oil field production environments. Environmental limits apply to certain materials. Consult the latest standard for details. All selected materials must also conform to NACE MR0103 for sour refining environments.

Code	Description	
Q15	Certificate of Compliance to NACE MR0175/ISO 15156 for wetted materials	★
Q25	Certificate of Compliance to NACE MR0103 for wetted materials	★

## Enhanced software

Enhanced software enables application specific configuration, expanded process alerts, and logging capabilities.

Code	Description	
RK	Enhanced software	★

## Cold temperature

This option is only available for pressure ranges 1–5 with 4-20 mA HART® and FOUNDATION Fieldbus Protocol, and silicone sensor fill fluid. It is available with 316SST, C-276, gold plated SST isolating diaphragms, and with transmitter flange types 2, 7, and 0 (only for HJ, HK, and HL). BR5 and BR6 are not available with the following options: DC, DF, D7, D9, GE, GM, L4, L5, L6, or P9.

Code	Description	
BR5 <sup>(1)</sup>	–58 °F (–50 °C) cold temperature operation	★
BR6 <sup>(2)</sup>	–76 °F (–60 °C) cold temperature operation	★

(1) *If Product Certification Options are required, the BR5 option is only available with approval codes C6, E2, E5, E6, E7, EM, I2, I3, I5, I6, I7, IA, IB, IM, IP, K2, K5, K7, KB, KM, and KP.*

(2) *If Product Certification Options are required, the BR6 option is only available with approval codes E2, E7, EM, I2, I3, I6, I7, IB, IM, IP, K2, K7, and KM.*

# Rosemount 3051T In-Line Transmitter ordering information



Rosemount 3051T In-Line Pressure Transmitters are the industry standard for gage and absolute pressure measurement. The in-line, compact design allows the transmitter to be connected directly to a process for quick, easy and cost effective installation.

- Loop Integrity and Plugged Impulse Line Diagnostics detect issues that might compromise the integrity of the output signal (code DA1).
- Bluetooth® Connectivity enables efficient, reliable, and safe configuration and maintenance (code BLE).
- Back-lit Graphical Display with Local Language Capability (code M6).
- Safety certification and proof testing (code QT and T9).

CONFIGURE >

VIEW PRODUCT >

## Online product configurator

Many products are configurable online using our product configurator.

Select the **Configure** button or visit [Emerson.com/global](https://emerson.com/global) to start. With this tool's built-in logic and continuous validation, you can configure your products more quickly and accurately.

## Specifications and options

The purchaser of the equipment must specify and select:

- Product materials
- Options
- Components

## Model codes

Model codes contain the details related to each product. Exact model codes will vary; an example of a typical model code is shown in [Figure 2](#).

**Figure 2: Model Code Example**

**3051TG3A2B21A   WR5M6BLEDA1**

1                      2

1. Required model components (choices available on most)

2. Additional options (variety of features and functions that may be added to products)

## Optimizing lead time

The starred offerings (★) represent the most common options and should be selected for the fastest delivery. The non-starred offerings are subject to additional delivery lead time.

## Required model components

### Model

Code	Description	
3051T	In-Line Pressure Transmitter	★

### Pressure type

Code	Description	
G	Gage	★
A <sup>(1)</sup>	Absolute	★

- (1) *Wireless output (code X) available in absolute measurement type (code A) with only range 1–5, with 14-NPT process connection (code 2B) and housing (code P).*

### Pressure range

Code	Gage (Rosemount 3051TG) <sup>(1)</sup>	Absolute (Rosemount 3051TA)	
0 <sup>(2)</sup>	-5 to 5 psi (-344.74 to 344.74 mbar)	N/A	★
1	-14.7 to 30 psi (-1.01 to 2.06 bar)	0 to 30 psia (0 to 2.06 bar)	★
2	-14.7 to 150 psi (-1.01 to 10.34 bar)	0 to 150 psia (0 to 10.34 bar)	★
3	-14.7 to 800 psi (-1.01 to 55.15 bar)	0 to 800 psia (0 to 55.15 bar)	★
4	-14.7 to 4000 psi (-1.01 to 275.79 bar)	0 to 4000 psia (0 to 275.79 bar)	★
5	-14.7 to 10000 psi (-1.01 to 689.47 bar)	0 to 10000 psia (0 to 689.47 bar)	★
6 <sup>(3)</sup>	-14.7 to 20000 psi (-1.01 to 1378.95 bar)	0 to 20000 psia (0 to 1378.95 bar)	

- (1) *Rosemount 3051TG lower range limit assumes atmospheric pressure of 14.7 psig.*  
 (2) *Range 0 is not available with wireless output (option X).*  
 (3) *Not available with PROFIBUS PA or Low Power 1–5 Vdc transmitter output (option code W or M), inert sensor fill fluid (option code 2), NSW drinking water approval (option code DW), or assemble to manifolds (option code S5).*

### Transmitter output

Code	Description	
A	4–20 mA with digital signal based on HART® Protocol	★
F	FOUNDATION™ Fieldbus Protocol	★
W <sup>(1)</sup>	PROFIBUS® PA Protocol	★
X <sup>(2)</sup>	Wireless (requires wireless options and engineered polymer housing)	★

M <sup>(3)</sup>	Low-power, 1–5 Vdc with digital signal based on HART Protocol	
------------------	---	--

- (1) For local addressing and configuration, M4 (LOI) is required. Not available with product certification codes EM, IM, KM, KL, and KS.  
 (2) This option is only available with intrinsically safe approvals.  
 (3) Only available with C6, E2, E5, I5, K5, KB, EM, IM, KM, EP, and E8 product certifications.

## Process connection style

Code	Description	
2B	½-14 NPT female (range 0-5 only)	★
2C <sup>(1)</sup>	G½ A EN837-1 male (range 0-4 only)	★
2F <sup>(2)</sup>	Coned and threaded, compatible with autoclave Type F-250-C (range 5-6 only)	
61 <sup>(3)(4)</sup>	Non-threaded instrument flange (range 1-4 only)	

- (1) Not available with S1, S5, or WSM. Wireless output (code X) not available with absolute pressure type or C-276 diaphragm material.  
 (2) Not available with wireless (output code X) for range 5.  
 (3) Not available with wireless (output code X).  
 (4) Only available with 316L stainless steel isolating diaphragm.

## Isolating diaphragm

Materials of Construction comply with recommendations per NACE MR0175/ISO 15156 for sour oil field production environments. Environmental limits apply to certain materials. Consult latest standard for details. Selected materials also conform to NACE MR0103 for sour refining environments.

Code	Isolating diaphragm	Process connection wetted parts material	
2	316L stainless steel	316L stainless steel	★
3	Alloy C-276	Alloy C-276	★
7	Gold-plated 316 stainless steel	316L stainless steel	
8	Gold-plated alloy C-276	C-276	

## Sensor fill fluid

Code	Description	
1	Silicone	★
2 <sup>(1)</sup>	Inert	

- (1) Not available with wireless (output code X).

## Housing material

Code	Housing material	Conduit entry size	
A	Aluminum	½-14 NPT	★
B	Aluminum	M20 x 1.5	★
E	Aluminum, ultra low copper	½-14 NPT	
F	Aluminum, ultra low copper	M20 x 1.5	
J	Stainless steel	½-14 NPT	★
K	Stainless steel	M20 x 1.5	
P <sup>(1)</sup>	Engineered polymer	No conduit entries	★

Code	Housing material	Conduit entry size	
D <sup>(2)</sup>	Aluminum	G½	
M <sup>(2)</sup>	Stainless steel	G½	

(1) Only available with wireless (output code X). Only available with gauge pressure ranges 1-4.

(2) Transmitter conduit entry will be ½ NPT, and a ½ NPT to G½ thread adapter will be provided. Only available with product certifications option I1. Product certifications option IG are available with aluminum only (option D).

## Wireless options

Requires wireless output (code X) and engineered polymer housing (code P).

### Wireless transmit rate, operating frequency, and protocol

Code	Description	
WA3	User configurable transmit rate, 2.4 GHz WirelessHART®	★

### Antenna and SmartPower™

Code	Description	
WP5	Internal antenna, compatible with Green Power Module (I.S. Power Module sold separately).	★

## Additional options

### Local wireless device access

Code	Description	
BLE <sup>(1)</sup>	Bluetooth® configuration and maintenance	★

(1) Requires the Graphical LCD display (code M6).

### Extended product warranty

Code	Description	
WR3	3-year limited warranty	★
WR5	5-year limited warranty	★

### Plantweb™ control functionality

Code	Description	
A01	FOUNDATION™ Fieldbus control function block suite	★

### Plantweb™ diagnostic functionality

Code	Description	
DA0 <sup>(1)</sup>	Loop Integrity diagnostic	★

DA1 <sup>(2)</sup>	Loop Integrity and Plugged Impulse Line diagnostics	★
D01	FOUNDATION™ Fieldbus Diagnostics Suite	★

(1) Only available with 4–20 mA HART® protocol (code A).

(2) Only available with 4–20 mA HART (code A) and low power (code M) output codes. With low power output code, only the Plugged Impulse Line Diagnostic is included.

## Integral assembly

“Assemble-to” items are specified separately and require a completed model number.

Code	Description	
S5	Assemble to Rosemount 306 Integral Manifold	★

## Diaphragm seal assemblies

“Assemble-to” items are specified separately and require a completed model number.

Code	Description	
S1	Assemble to one Rosemount seal	★

## Mounting bracket

Panel mounting bolts are not supplied.

Code	Description	
B4	Bracket for 2-in. pipe or panel mounting, all stainless steel	★
BE	316SST B4 bracket with 316SST bolts	

## Product certifications

Code	Description	
E8	ATEX Flameproof	★
I1 <sup>(1)</sup>	ATEX Intrinsic Safety	★
IA	ATEX FISCO Intrinsic Safety; for FOUNDATION™ Fieldbus or PROFIBUS® PA Protocol only	★
N1	ATEX Type n Certification	★
K1	ATEX Flameproof, Intrinsic Safety, Type n, Dust (combination of E8, I1, and N1)	★
E4 <sup>(2)</sup>	Japan Flameproof	★
E5	USA Explosion-proof, Dust Ignition-proof	★
I5 <sup>(3)</sup>	USA Intrinsically Safe, Non-incendive	★
K5	USA Explosion-proof, Dust Ignition-proof, Intrinsically Safe, and Division 2	★
E6	Canada Explosion-proof, Dust Ignition-proof, Division 2	★
I6	Canada Intrinsic Safety	★
C6	Canada Explosion-proof, Dust Ignition-proof, Intrinsically Safe, and Division 2	★
K6	Canada and ATEX Explosion-proof, Intrinsically Safe, and Division 2 (combination of C6, E8, and I1)	★
E7	IECEX Flameproof	★
I7	IECEX Intrinsic Safety	★
N7	IECEX Type n Certification	★

Code	Description	
K7	IECEX Flameproof, Dust Ignition-proof, Intrinsic Safety, and Type n (combination of I7, N7, and E7)	★
IG	IECEX FISCO Intrinsically Safe; for FOUNDATION Fieldbus or PROFIBUS PA Protocols only	★
E2	Brazil Flameproof	★
I2	Brazil Intrinsic Safety	★
IB	Brazil FISCO Intrinsically Safe; for FOUNDATION Fieldbus or PROFIBUS PA Protocols only	★
K2	Brazil Flameproof, Intrinsic Safety	★
E3	China Flameproof	★
I3	China Intrinsic Safety	★
EM	Technical Regulations Customs Union (EAC) Flameproof	★
IM	Technical Regulations Customs Union (EAC) Intrinsic Safety	★
KM	Technical Regulations Customs Union (EAC) Flameproof and Intrinsic Safety	★
KB	USA and Canada Explosion-proof, Dust Ignition-proof, Intrinsically Safe, and Division 2 (combination of K5 and C6)	★
KD	USA, Canada, and ATEX Explosion-proof, Intrinsically Safe (combination of K5, C6, I1, and E8)	★
KL <sup>(4)</sup>	USA, Canada, IECEX, ATEX Intrinsic Safety Combination	★
KS	USA, Canada, IECEX, ATEX Explosion-proof, Intrinsically Safe, Dust, Non-incendive, Type N, Division 2	★
EP	Republic of Korea Flameproof	★
IP	Republic of Korea Intrinsic Safety	★
KP	Republic of Korea Flameproof, Intrinsic Safety	★

- (1) *Dust approval not applicable to wireless (output code X). For wireless approvals, see the Certifications section of the [Rosemount 3051 Wireless Pressure Transmitters Reference Manual](#).*
- (2) *Only available with 4–20 mA HART® (output code A), FOUNDATION Fieldbus (output code F), or PROFIBUS PA (output code W). Only available with aluminum housing and ½ NPT conduit entry size (housing material code A).*
- (3) *Non-incendive certification not provided with wireless (output code X).*
- (4) *Only available with wireless (output code X).*

### Drinking water approval

Not available with alloy C-276 isolator (code 3), assemble-to manifolds (code S5), assemble-to seals (code S1), and surface finish certification (code Q16).

Code	Description	
DW	NSF drinking water approval	★

### Shipboard approvals

Not available with wireless output (code X).

Code	Description	
SBS	American Bureau of Shipping	★
SBV <sup>(1)</sup>	Bureau Veritas (BV)	★
SDN	Det Norske Veritas	★
SLL <sup>(1)</sup>	Lloyds Register (LR)	★

- (1) *Only available with product certification options E7, E8, I1, I7, IA, K7, K8, KD, N1, and N7.*

### SST tagging

Code	Description	
Y2	316 SST nameplate, top tag, wire-on tag, and fasteners	

### Custody transfer

The custody transfer option is only available with HART® 4–20 mA output (code A).

Code	Description	
C5	Measurement Canada Accuracy Approval (limited availability depending on transmitter type and range; contact an Emerson representative).	★

### Calibration certification

Code	Description	
Q4	Calibration certificate	★
QP	Calibration certificate and tamper evident seal	★

### Material traceability certification

Code	Description	
Q8	Material traceability certification per EN 10204 3.1.	★

### Positive material identification (PMI)

Code	Description	
Q76	PMI verification and certificate	★

### Quality certification for safety

The quality certification for safety is only available with HART® 4–20 mA output (code A).

Code	Description	
QT	Safety certified to IEC 61508 with certificate of FMEDA	★

### Enhanced safety

Only available with HART® 4-20 mA output (Code A).

Code	Description	
T9	Enhanced SIS proof testing and logging	★

### Configuration buttons

Code	Description	
D1 <sup>(1)</sup>	Quick service buttons	★
D4 <sup>(2)</sup>	Analog zero and span	★

Code	Description	
DZ <sup>(3)</sup>	Digital zero trim	★

(1) Only available with Graphical LCD Display (code M6)

(2) Only available with HART 4–20 mA output (code A).

(3) Only available with HART 4–20 mA output (output code A) and wireless output (output code X).

## Display and interface options

Code	Description	
M6 <sup>(1)</sup>	Graphical LCD display	★
M5	LCD display	★
M4 <sup>(2)</sup>	LCD display with LOI	★

(1) Only available with 4–20 mA HART® output (code A).

(2) Only available with 4–20 mA HART output (code A), Low Power (code M), and PROFIBUS-PA (code W).

## Wireless sensor module

Code	Description	
WSM	Wireless stainless steel sensor module	★

## Transient protection

The transient protection option is not available with wireless (option code X). The T1 option is not needed with FISCO Product Certifications; transient protection is included in the FISCO product certification codes IA, IB, and IE.

Code	Description	
T1	Transient protection terminal block	★

## Conduit plug

The conduit plug option is not available with wireless output (code X).

Code	Description	
DO	316 SST conduit plug	★

## Software configuration

Code	Description	
C1	Custom software configuration. (For wired, see the <a href="#">Rosemount 3051 Configuration Data Sheet</a> . For wireless, see the <a href="#">Rosemount 3051 Wireless Configuration Data Sheet</a> .)	★

## Alarm levels

The alarm levels option is only available with HART® 4–20 mA output (code A).

Code	Description	
C4	Analog output levels compliant with NAMUR recommendation NE 43, alarm high	★
CN	Analog output levels compliant with NAMUR recommendation NE 43, alarm low	★
CR	Custom alarm and saturation signal levels, high alarm (requires option code C1)	★

CS	Custom alarm and saturation signal levels, low alarm (requires option code C1)	★
CT	Rosemount standard low alarm	★

### Pressure testing

Code	Description	
P1 <sup>(1)</sup>	Hydrostatic testing with certificate	★

(1) Not available with pressure range 0.

### Cleaning process area

Not valid with alternate process connection (code S5).

Code	Description	
P2	Cleaning for special service	
P3	Cleaning for < 1 ppm chlorine/fluoride	

### Ground screw

The ground screw option is not available with wireless output (code X). The V5 option is not needed with the T1 option; external ground screw assembly is included with the T1 option.

Code	Description	
V5	External ground screw assembly	★

### Surface finish

Code	Description	
Q16	Surface finish certification for sanitary remote seals	★

### Toolkit total system performance reports

Code	Description	
QZ	Remote seal system performance calculation report	★

### Conduit electrical connector

The conduit electrical connector option is not available with wireless output (code X).

Code	Description	
GB	ATEX Cable gland and plug, M20 x 1.5, polyamide, black	
GE	M12, 4-pin, male connector (eurofast <sup>®</sup> )	★
GM	A size mini, 4-pin, male connector (minifast <sup>®</sup> )	★

### NACE certificate

Note that NACE<sup>®</sup>-compliant wetted materials are required. Materials of construction must comply with recommendations per NACE MR0175/ISO 15156 for sour oil field production environments. Environmental limits apply to certain materials. Consult the latest standard for details. All selected materials must also conform to NACE MR0103 for sour refining environments.

Code	Description	
Q15	Certificate of Compliance to NACE MR0175/ISO 15156 for wetted materials	★
Q25	Certificate of Compliance to NACE MR0103 for wetted materials	★

### Enhanced software

Enhanced software enables application specific configuration, expanded process alerts, and logging capabilities.

Code	Description	
RK	Enhanced software	★

### Cold temperature

This option is only available for pressure ranges 1–5 with 4–20 mA HART® and FOUNDATION Fieldbus Protocol, and silicone sensor fill fluid. BR5 and BR6 are not available with Non-threaded instrument flange (code 61) or the assemble to one Rosemount seal (option S1).

Code	Description	
BR5 <sup>(1)</sup>	–58 °F (–50 °C) cold temperature operation	★
BR6 <sup>(2)</sup>	–76 °F (–60 °C) cold temperature operation	★

(1) *If Product Certification Options are required, the BR5 option is only available with approval codes C6, E2, E5, E6, E7, EM, EP, I2, I5, I6, I7, IM, IP, K2, K5, K7, KB, KM, and KP.*

(2) *If Product Certification Options are required, the BR6 option is only available with approval codes E2, E7, EM, I2, I6, I7, IM, IP, K2, K7, and KM.*

## Rosemount 3051CF Flow Meter selection guide

Rosemount 3051CF Flow Meters combine the proven Rosemount 3051 Pressure Transmitter and the latest primary element technologies. All flow meters are fully assembled, calibrated, configured, and leak tested for out-of-the-box installation and are available with wired or wireless capabilities to meet all of your application needs.

### Rosemount 3051CFA Annubar Flow Meter



Rosemount Annubar technology minimizes permanent pressure loss while delivering best in class accuracy.

- Lowest material costs for large line sizes.
- Flo-tap enables installation without process shutdown.
- Realize up to 96 percent less permanent pressure loss compared to traditional orifice plate installations.

### Rosemount 3051CFC Compact Conditioning Flow Meter



Rosemount Compact Conditioning technologies provide unprecedented performance with minimal straight-run requirements. Solutions include conditioning orifice plate or Rosemount Annubar primary elements.

- Conditioning orifice requires only two pipe diameters upstream and downstream.
- Eliminate swirl and regular profiles resulting in more stable and accurate flow measurement.
- Savings up to 55 percent when compared to a traditional orifice plate installation can be realized.

### Rosemount 3051CFP Integral Orifice Flow Meter



Rosemount Integral Orifice Flow Meters deliver highly accurate small-bore flow measurement capability with minimal installation and maintenance requirements.

- Best performance for small line sizes ½ to 1½ in. (15 to 40 mm).
- Precision honed pipe section and tight machining tolerances deliver higher installed performance.
- Reduces uncertainty by up to five percent compared to traditional orifice plate installation.

### Rosemount 3051CFA Annubar™ Flow Meter



The Rosemount 3051CFA Annubar Flow Meter uses the T-shaped sensor design that delivers best in class accuracy and performance while meeting the needs of diverse process applications, whether it is high accuracy for precision control or high strength for severe flow applications.

- Up to 1.8 percent of flow rate accuracy.
- Available in 2 - 96 in. (50 to 2400 mm) line.
- Fully assembled and leak tested for out-of-the-box installation.
- Simplified flow configuration with clearly displayed flow rate and added totalizer (code M6, BLE, D1, DA1, T9, or RK).
- Loop Integrity and Plugged Impulse Line Diagnostics detect issues that might compromise the integrity of the output signal (code DA1).
- Bluetooth® enables efficient, reliable, and safe configuration and maintenance (code BLE).
- Back-lit Graphical Display with Local Language Capability (code M6).
- Safety certification and proof testing (code QT and T9).
- Typical 3051CFA model code: **3051CFA D L 060 D C H P S 2 T1 0 0 0 3 2 A A 1**

[CONFIGURE >](#)

[VIEW PRODUCT >](#)

### Online product configurator

Many products are configurable online using our product configurator.

Select the **Configure** button or visit [Emerson.com/global](https://www.emerson.com/global) to start. With this tool's built-in logic and continuous validation, you can configure your products more quickly and accurately.

### Specifications and options

The purchaser of the equipment must specify and select:

- Product materials
- Options
- Components

## Sizing and selection

All Rosemount flow meters can be sized to meet your application specific requirements in the DP Flow sizing and selection tool. This tool will verify if a selected product meets your application requirements, provide a comparison between different primary elements, and generate a detailed accuracy comparison graph.

Once a sizing is completed, the configuration tool will help create a complete and valid model code to match your requirements and include any additional options or approvals.

## Model codes

Model codes contain the details related to each product. Exact model codes will vary; an example of a typical model code is shown in [Figure 3](#).

**Figure 3: Model Code Example**

**3051CFADL060ZSHPS1T100072AA1 WR5M6BLEDA1RK**

**1**

**2**

1. Required model components <sup>(1)</sup>
2. Additional options <sup>(2)</sup>.

## Optimizing lead time

The starred offerings (★) represent the most common options and should be selected for the fastest delivery. The non-starred offerings are subject to additional delivery lead time.

## Required model components

### Model

Code	Description	
3051CFA	Annubar™ Flow Meter	★

### Measurement type

Code	Description	
D	Differential pressure	★

### Fluid type

Code	Description	
L	Liquid	★
G	Gas	★
S	Steam	★

(1) Choices available on most.

(2) Variety of features and functions that may be added to products

**Line size**

Actual units are built to customer supplied pipe ID and wall dimensions. Line size codes in model are used as a nominal size and auto-selected by the sizing program.

Code	Description	
020	2 in. (50 mm)	★
025	2½ in. (63.5 mm)	★
030	3 in. (80 mm)	★
035	3½ in. (89 mm)	★
040	4 in. (100 mm)	★
050	5 in. (125 mm)	★
060	6 in. (150 mm)	★
070	7 in. (175 mm)	★
080	8 in. (200 mm)	★
100	10 in. (250 mm)	★
120	12 in. (300 mm)	★
140	14 in. (350 mm)	
160	16 in. (400 mm)	
180	18 in. (450 mm)	
200	20 in. (500 mm)	
240	24 in. (600 mm)	
300	30 in. (750 mm)	
360	36 in. (900 mm)	
420	42 in. (1066 mm)	
480	48 in. (1210 mm)	
600	60 in. (1520 mm)	
720	72 in. (1820 mm)	
780	78 in. (1950 mm)	
840	84 in. (2100 mm)	
900	90 in. (2250 mm)	
960	96 in. (2400 mm)	

**Pipe ID range**

Code	Description	
Z	Custom manufactured for customer-supplied pipe ID	★

**Pipe material/mounting assembly material**

Code	Description	
C	CS (A105)	★
S	316 SST	★
0 <sup>(1)</sup>	No mounting <sup>(2)</sup>	★

Code	Description	
G	Chrome-moly grade F-11	
N	Chrome-moly grade F-22	
J	Chrome-moly grade F-91	

- (1) For customer-supplied mounting or isolation valve, provide relevant dimension at time of sizing and order.  
 (2) Customer-supplied.

### Piping orientation

Code	Description	
H	Horizontal piping	★
D	Vertical piping with downward flow	★
U	Vertical piping with upward flow	★

### Annubar™ type

Code	Description	
P	Pak-Lok	★
F	Flanged with opposite side support	★
L	Flange-Lok	
G	Gear-drive Flo-Tap	
M	Manual Flo-Tap	

### Sensor material

Code	Description	
S	316 SST	★
H	Alloy C-276	

### Sensor size

Code	Description	
1	Sensor size 1 — Line sizes 2 - 8 in. (50 - 200 mm)	★
2	Sensor size 2 — Line sizes 6 - 96 in. (150 - 2400 mm)	★
3	Sensor size 3 — Line sizes greater than 12 in. (300 mm)	★

### Mounting type

Code	Description	
T1	Compression or threaded connection	★
A1	Class 150 RF ASME B16.5	★
A3	Class 300 RF ASME B16.5	★
A6	Class 600 RF ASME B16.5	★

Code	Description	
A9 <sup>(1)</sup>	Class 900 RF ASME B16.5	
AF <sup>(1)</sup>	Class 1500 RF ASME B16.5	
AT <sup>(1)</sup>	Class 2500 RF ASME B16.5	
D1	PN16 EN-1092-1 RF	★
D3	PN40 EN-1092-1 RF	★
D6	PN100 EN-1092-1 RF	★
R1	Class 150 RTJ ASME B16.5	
R3	Class 300 RTJ ASME B16.5	
R6	Class 600 RTJ ASME B16.5	
R9 <sup>(1)</sup>	Class 900 RTJ ASME B16.5	
RF <sup>(1)</sup>	Class 1500 RTJ ASME B16.5	
RT <sup>(1)</sup>	Class 2500 RTJ ASME B16.5	

(1) Available in remote mount applications only.

**Opposite side support or packing gland**

Code	Description			
0	No opposite side support or packing gland <sup>(1)</sup>	★		
<b>Opposite side support <sup>(2)</sup></b>				
C	NPT threaded opposite support assembly	★		
D	Welded opposite support assembly	★		
<b>Packing gland <sup>(3)</sup></b>				
	<b>Packing gland material</b>	<b>Rod material</b>	<b>Packing material</b>	
J <sup>(4)</sup>	Stainless steel packing gland/cage nipple	Carbon steel	PTFE	
K <sup>(4)</sup>	Stainless steel packing gland/cage nipple	Stainless steel	PTFE	
L <sup>(4)</sup>	Stainless steel packing gland/cage nipple	Carbon steel	Graphite	
N <sup>(4)</sup>	Stainless steel packing gland/cage nipple	Stainless steel	Graphite	
R	Alloy C-276 packing gland/cage nipple	Stainless steel	Graphite	

(1) Required for Pak-Lok and Flange-Lok models.

(2) Required for flanged models.

(3) Required for Flo-Tap models.

(4) The cage nipple is constructed of 304SST.

**Isolation valve for Flo-Tap models**

Code	Description	
0 <sup>(1)</sup>	Not applicable or customer-supplied	★
1	Gate valve, CS	
2	Gate valve, SST	
5	Ball valve, CS	
6	Ball valve, SST	

(1) For customer-supplied mounting or isolation valve, provide relevant dimension at time of sizing and order.

### Temperature measurement

Code	Description	
T	Integral RTD <sup>(1)</sup>	★
0	No temperature sensor	★
R	Remote thermowell and RTD	

(1) Not available with flanged model greater than Class 600.

### Transmitter connection platform

Code	Description	
3	Direct-mount, integral 3-valve manifold– not available with flanged model greater than Class 600	★
5	Direct-mount, 5-valve manifold – not available with flanged model greater than Class 600	★
7	Remote-mount NPT connections (½-inch NPT)	★
6	Direct-mount, high temperature 5-valve manifold – not available with flanged model greater than Class 600	
8	Remote-mount SW connections (½-inch)	

### Differential pressure range

Code	Description	
1	0 - 25 in H <sub>2</sub> O (0 - 62.16 mbar)	★
2	0 - 250 inH <sub>2</sub> O (0 - 621.60 mbar)	★
3	0 - 1000 inH <sub>2</sub> O (0 - 2.49 bar)	★

### Transmitter output

Code	Description	
A	4–20 mA with digital signal based on HART® Protocol	★
F	FOUNDATION™ Fieldbus Protocol	★
W <sup>(1)</sup>	PROFIBUS® PA Protocol	★
X <sup>(2)</sup>	Wireless <sup>(3)</sup>	★
M <sup>(4)</sup>	Low-power, 1–5 Vdc with digital signal based on HART Protocol	

(1) For local addressing and configuration, M4 (LOI) is required. Not available with product certification codes EM, IM, KM, KL, and KS.

(2) This option is only available with intrinsically safe approvals.

(3) Requires wireless options and engineered polymer housing.

(4) Only available with C6, E2, E5, I5, K5, KB, EM, IM, KM, EP, and E8 product certifications.

### Housing material

Code	Description	Conduit entry size	
A	Aluminum	½—14 NPT	★
B	Aluminum	M20 x 1.5	★
J	SST	½—14 NPT	★
K	SST	M20 x 1.5	★
P <sup>(1)</sup>	Engineered polymer	No conduit entries	★
D <sup>(2)</sup>	Aluminum	G½	

M <sup>(2)</sup>	SST	G½	
------------------	-----	----	--

(1) Only available with wireless output (code X).

(2) Transmitter conduit entry will be ½ NPT and a ½ NPT to G½ thread adapter will be provided. These options are only available with product certifications option I1. Product certifications option IG is available with aluminum only (option D).

### Transmitter performance class

Code	Description	
1	1.75 percent flow rate accuracy, 8:1 flow turndown, 5-year stability	★

## Wireless options

Requires wireless output (code X) and engineered polymer housing (code P).

### Wireless transmit rate, operating frequency, and protocol

Code	Description	
WA3	User configurable transmit rate, 2.4 GHz Wireless HART®	★

### Antenna and SmartPower™

Code	Description	
WP5	Internal antenna, compatible with Green Power Module <sup>(1)</sup>	★

(1) IS Power Module sold separately.

## Additional options

### Local wireless device access

Code	Description	
BLE <sup>(1)</sup>	Bluetooth® configuration and maintenance	★

(1) Requires the Graphical LCD Display (code M6).

### Extended product warranty

Code	Description	
WR3	3-year limited warranty	★
WR5	5-year limited warranty	★

### Alternate transmitter diaphragm material

Code	Description	
ID2	316 SST	
ID3	Alloy C-276	
ID4 <sup>(1)</sup>	Alloy 400	
ID5 <sup>(1)</sup>	Tantalum	
ID6 <sup>(1)</sup>	Gold-plated Alloy 400 <sup>(2)</sup>	
ID7 <sup>(1)</sup>	Gold-plated SST	

(1) Not available with wireless output (code X).

(2) Includes graphite-filled PTFE O-ring.

**Pressure testing**

Code	Description	
P1	Hydrostatic testing with certificate	
PX	Extended hydrostatic testing	

**Special cleaning**

Code	Description	
P2	Cleaning for special processes	

**Material testing**

Code	Description	
V1	Dye penetrant exam	

**Material examination**

Code	Description	
V2	Radiographic examination	

**Flow calibration**

Code	Description	
W1	Flow calibration (Average K)	

**Special inspection**

Code	Description	
QC1	Visual and dimensional inspection with certificate	★
QC7	Inspection and performance certificate	★

**Surface finish**

This surface finish option is auto-selected by the sizing tool as necessary.

Code	Description	
RL	Surface finish for low pipe Reynolds number in gas and steam	★
RH	Surface finish for high pipe Reynolds number in liquid	★

**Material traceability certification**

Instrument connections for remote mount options and isolation valves for Flo-Tap models are not included in the Material Traceability Certification.

Code	Description	
Q8	Material Traceability Certification per EN 10474:2004 3.1	★

**Positive material identification (PMI)**

Code	Description	
Q76	PMI verification and certificate	★

**Code conformance**

This option is not available with transmitter connection platform 6.

Code	Description	
J2	ANSI/ASME B31.1	
J3	ANSI/ASME B31.3	

**Materials conformance**

Materials of Construction comply with metallurgical requirements within NACE MR0175/ISO for sour oil field production environments. Environmental limits apply to certain materials. Consult latest standard for details. Selected materials also conform to NACE MR0103 for sour refining environments.

Selecting J5 option will provide Alloy C-276 transmitter diaphragms.

Code	Description	
J5	Certificate of Compliance to NACE MR0175/ISO 15156 for wetted materials	

**Country certification**

Code	Description	
J6	European Pressure Directive (PED)	★
J1	Canadian Registration	
J8	Chinese Certificate of Special Equipment Type Test	

**Installed in flanged pipe spool section**

Refer to [Rosemount 485 specifications](#) specifications section for spool section lengths and schedules

Code	Description	
H3	Class 150 flanged connection with Rosemount standard length and schedule	
H4	Class 300 flanged connection with Rosemount standard length and schedule	
H5	Class 600 flanged connection with Rosemount standard length and schedule	

**Instrument connections for remote mount options**

Code	Description	
G2	Needle valves, SST	★
G6	OS&Y gate valves, SST	★
G1	Needle valves, CS	
G3	Needle valves, alloy C-276	
G5	OS&Y gate valves, CS	
G7	OS&Y gate valves, alloy C-276	

**Special shipment**

Code	Description	
Y1	Mounting hardware shipped separately	★

**Special dimensions**

Code	Description	
VM	Variable mounting	

**Plantweb™ control functionality**

Code	Description	
A01	FOUNDATION™ Fieldbus control function block suite	★

**Plantweb™ diagnostic functionality**

Code	Description	
DA0 <sup>(1)</sup>	Loop Integrity diagnostic	★
DA1 <sup>(2)</sup>	Loop Integrity and Plugged Impulse Line diagnostics	★
D01	FOUNDATION™ Fieldbus Diagnostics Suite	★

(1) Only available with 4–20 mA HART® protocol (code A).

(2) Only available with 4–20 mA HART (code A) and low power (code M) output codes. With low power output code, only the Plugged Impulse Line Diagnostic is included.

**Product certifications**

Code	Description	
E8	ATEX Flameproof	★
I1 <sup>(1)</sup>	ATEX Intrinsic Safety	★
IA	ATEX FISCO Intrinsic Safety; for FOUNDATION™ Fieldbus or PROFIBUS® PA Protocol only	★
N1	ATEX Type n Certification	★
K1	ATEX Flameproof, Intrinsic Safety, Type n, Dust (combination of E8, I1, and N1)	★
E4 <sup>(2)</sup>	Japan Flameproof	★
E5	USA Explosion-proof, Dust Ignition-proof	★
I5 <sup>(3)</sup>	USA Intrinsically Safe, Non-incendive	★
K5	USA Explosion-proof, Dust Ignition-proof, Intrinsically Safe, and Division 2	★
E6	Canada Explosion-proof, Dust Ignition-proof, Division 2	★
I6	Canada Intrinsic Safety	★
C6	Canada Explosion-proof, Dust Ignition-proof, Intrinsically Safe, and Division 2	★
K6	Canada and ATEX Explosion-proof, Intrinsically Safe, and Division 2 (combination of C6, E8, and I1)	★
E7	IECEX Flameproof	★
I7	IECEX Intrinsic Safety	★
N7	IECEX Type n Certification	★
K7	IECEX Flameproof, Dust Ignition-proof, Intrinsic Safety, and Type n (combination of I7, N7, and E7)	★

Code	Description	
IG	IECEX FISCO Intrinsically Safe; for FOUNDATION Fieldbus or PROFIBUS PA Protocols only	★
E2	Brazil Flameproof	★
I2	Brazil Intrinsic Safety	★
IB	Brazil FISCO Intrinsically Safe; for FOUNDATION Fieldbus or PROFIBUS PA Protocols only	★
K2	Brazil Flameproof, Intrinsic Safety	★
E3	China Flameproof	★
I3	China Intrinsic Safety	★
EM	Technical Regulations Customs Union (EAC) Flameproof	★
IM	Technical Regulations Customs Union (EAC) Intrinsic Safety	★
KM	Technical Regulations Customs Union (EAC) Flameproof and Intrinsic Safety	★
KB	USA and Canada Explosion-proof, Dust Ignition-proof, Intrinsically Safe, and Division 2 (combination of K5 and C6)	★
KD	USA, Canada, and ATEX Explosion-proof, Intrinsically Safe (combination of K5, C6, I1, and E8)	★
KL <sup>(4)</sup>	USA, Canada, IECEX, ATEX Intrinsic Safety Combination	★
KS	USA, Canada, IECEX, ATEX Explosion-proof, Intrinsically Safe, Dust, Non-incendive, Type N, Division 2	★
EP	Republic of Korea Flameproof	★
IP	Republic of Korea Intrinsic Safety	★
KP	Republic of Korea Flameproof, Intrinsic Safety	★

- (1) *Dust approval not applicable to wireless (output code X). For wireless approvals, see the Certifications section of the [Rosemount 3051 Wireless Pressure Transmitters Reference Manual](#).*
- (2) *Only available with 4–20 mA HART<sup>®</sup> (output code A), FOUNDATION Fieldbus (output code F), or PROFIBUS PA (output code W). Only available with aluminum housing and ½ NPT conduit entry size (housing material code A).*
- (3) *Non-incendive certification not provided with wireless (output code X).*
- (4) *Only available with wireless (output code X).*

### Sensor fill fluid and O-ring options

Code	Description	
L1 <sup>(1)</sup>	Inert sensor fill fluid <sup>(2)</sup>	★
L2	Graphite-filled (PTFE) O-ring	★
LA <sup>(1)</sup>	Inert sensor fill fluid and graphite-filled (PTFE) O-ring	★

- (1) *Not available with wireless output (code X).*
- (2) *Silicone fill fluid is standard.*

### Shipboard approvals

Code	Description	
SBS	American Bureau of Shipping <sup>(1)</sup>	★

- (1) *Not available with wireless output (code X).*

### Display and interface options

Code	Description	
M6 <sup>(1)</sup>	Graphical LCD display	★
M5	LCD display	★

Code	Description	
M4 <sup>(2)</sup>	LCD display with LOI	★

(1) Only available with 4-20 mA HART® output (code A).

(2) Only available with 4-20 mA HART output (code A), Low Power (code M), and PROFIBUS®-PA output (code W).

### Transmitter calibration certification

Code	Description	
Q4	Calibration certificate for transmitter	★

### Quality certification for safety

These options are only available with 4–20 mA HART® (output code A).

Code	Description	
QT	Safety certified to IEC 61508 with certificate of FMEDA	★

### Transient protection

This option is not available with wireless output (code X). The T1 option is not needed with FISCO Product Certifications; transient protection is included with the FISCO Product Certification (codes IA, IB, and IE).

Code	Description	
T1	Transient terminal block	★

### Manifold for remote mount option

Code	Description	
F2	3-valve manifold, SST	★
F6	5-valve manifold, SST	★
F3	3-valve manifold, alloy C-276	
F7	5-valve manifold, alloy C-276	

### Alarm levels

These options are only available with 4–20 mA HART® output (code A).

Code	Description	
C4	NAMUR alarm and saturation levels, high alarm	★
CN	NAMUR alarm and saturation levels, low alarm	★
CR	Custom alarm and saturation signal levels, high alarm (see Rosemount 3051 <a href="#">Configuration Data Sheet</a> )	★
CS	Custom alarm and saturation signal levels, low alarm (see Rosemount 3051 <a href="#">Configuration Data Sheet</a> )	★
CT	Rosemount standard low alarm	★

### Enhanced safety

Only available with HART® 4-20 mA output (Code A).

Code	Description	
T9	Enhanced SIS proof testing and logging	★

### Configuration buttons

Code	Description	
D1 <sup>(1)</sup>	Quick service buttons	★
D4 <sup>(2)</sup>	Analog zero and span	★
DZ <sup>(3)</sup>	Digital zero trim	★

(1) Only available with Graphical LCD Display (code M6).

(2) Only available with 4–20 mA HART® (output code A).

(3) Only available with 4–20 mA HART (output code A) and wireless (output code X).

### Ground screw

This option is not available with wireless output (code X). The V5 option is not needed with the T1 option; external ground screw assembly is included with the T1 option.

Code	Description	
V5	External ground screw assembly	★

### Enhanced software

Enhanced software enables application specific configuration, expanded process alerts, and logging capabilities.

Code	Description	
RK	Enhanced software	★

## Rosemount 3051CFC Compact Flow Meter ordering information



Rosemount 3051CFC Compact Flow Meters provide a quick, reliable installation between existing raised face flanges.

- Up to 1.75 percent of flow rate accuracy.
- Available in ½ to 12 in. (15 to 300 mm) line sizes.
- Fully assembled and leak tested for out-of-the-box installation.
- Simplified flow configuration with clearly displayed flow rate and added totalizer (code M6, BLE, D1, DA1, T9, or RK).
- Loop Integrity and Plugged Impulse Line Diagnostics detect issues that might compromise the integrity of the output signal (code DA1).
- Bluetooth® enables efficient, reliable, and safe configuration and maintenance (code BLE).
- Back-lit Graphical Display with Local Language Capability (code M6).
- Safety certification and proof testing (code QT and T9).
- Typical 3051CFC model code: **3051CFC D C S 060 N 065 0 3 2 X P 1 WA3 WP5 WC M5 DZ**

[CONFIGURE >](#)

[VIEW PRODUCT >](#)

### Online product configurator

Many products are configurable online using our product configurator.

Select the **Configure** button or visit [Emerson.com/global](https://emerson.com/global) to start. With this tool's built-in logic and continuous validation, you can configure your products more quickly and accurately.

### Specifications and options

The purchaser of the equipment must specify and select:

- Product materials
- Options
- Components

### Sizing and selection

All Rosemount flow meters can be sized to meet your application specific requirements in the DP Flow sizing and selection tool. This tool will verify if a selected product meets your application requirements, provide a comparison between different primary elements, and generate a detailed accuracy comparison graph.

Once a sizing is completed, the configuration tool will help create a complete and valid model code to match your requirements and include any additional options or approvals.

### Model codes

Model codes contain the details related to each product. Exact model codes will vary; an example of a typical model code is shown in [Figure 4](#).

**Figure 4: Model Code Example**

**3051CFCDL060ZSHPS1T100072AA1 WR5M6BLEDA1RK**

**1**

**2**

1. Required model components <sup>(3)</sup>
2. Additional options <sup>(4)</sup>

### Optimizing lead time

The starred offerings (★) represent the most common options and should be selected for the fastest delivery. The non-starred offerings are subject to additional delivery lead time.

### Required model components

#### Model

Code	Description	
3051CFC	Compact flow meter	★

#### Measurement type

Code	Description	
D	Differential pressure	★

#### Primary element technology

Code	Description	
C	Conditioning orifice plate	★
P	Orifice plate	★

#### Material type

Code	Description	
S	316 SST	★

(3) Choices available on most.

(4) Variety of features and functions that may be added to products.

**Line size**

Code	Product description	
005 <sup>(1)</sup>	½ in. (15 mm)	★
010 <sup>(1)</sup>	1 in. (25 mm)	★
015 <sup>(1)</sup>	1½ in. (40 mm)	★
020	2 in. (50 mm)	★
030	3 in. (80 mm)	★
040	4 in. (100 mm)	★
060	6 in. (150 mm)	★
080	8 in. (200 mm)	★
100	10 in. (250 mm)	★
120	12 in. (300 mm)	★

(1) Available with orifice plate (code P) only.

**Primary element type**

Code	Description	
N040	0.40 Beta ratio ( $\beta$ )	★
N050	0.50 Beta ratio ( $\beta$ )	
N065 <sup>(1)</sup>	0.65 Beta ratio ( $\beta$ )	★

(1) For 2 in. (50 mm) line sizes, the primary element type is 0.60 for conditioning orifice plate (code C).

**Temperature measurement**

Code	Description	
0	No temperature sensor	★
R	Remote thermowell and Resistance Temperature Detector (RTD)	

**Transmitter connection platform**

Code	Description	
3	Direct-mount, integral 3-valve manifold	★
7	Remote-mount, NPT connections	★

**Differential pressure range**

Code	Description	
1	0 to 25 inH <sub>2</sub> O (0 to 62.16 mbar)	★
2	0 to 250 inH <sub>2</sub> O (0 to 621.60 mbar)	★
3	0 to 1,000 inH <sub>2</sub> O (0 to 2.49 bar)	★

**Transmitter output**

Code	Description	
A	4–20 mA with digital signal based on HART <sup>®</sup> Protocol	★

F	FOUNDATION™ Fieldbus Protocol	★
W <sup>(1)</sup>	PROFIBUS® PA Protocol	★
X <sup>(2)</sup>	Wireless <sup>(3)</sup>	★
M <sup>(4)</sup>	Low-power, 1–5 Vdc with digital signal based on HART Protocol	

(1) For local addressing and configuration, M4 (LOI) is required. Not available with product certification codes EM, IM, KM, KL, and KS.

(2) This option is only available with intrinsically safe approvals.

(3) Requires wireless options and engineered polymer housing.

(4) Only available with C6, E2, E5, I5, K5, KB, EM, IM, KM, EP, and E8 product certifications.

### Housing material

Code	Description	Conduit entry size	
A	Aluminum	½—14 NPT	★
B	Aluminum	M20 x 1.5	★
J	SST	½—14 NPT	★
K	SST	M20 x 1.5	★
P <sup>(1)</sup>	Engineered polymer	No conduit entries	★
D <sup>(2)</sup>	Aluminum	G½	
M <sup>(2)</sup>	SST	G½	

(1) Only available with wireless output (code X).

(2) Transmitter conduit entry will be ½ NPT and a ½ NPT to G½ thread adapter will be provided. These options are only available with product certifications option I1. Product certifications option IG is available with aluminum only (option D).

### Transmitter performance class

Code	Description	
1	Up to ±1.75% flow rate accuracy, 8:1 flow turndown, 5-year stability	★

### Wireless options

Requires wireless output (code X) and engineered polymer housing (code P).

### Wireless transmit rate, operating frequency, and protocol

Code	Description	
WA3	User-configurable transmit rate, 2.4 GHz WirelessHART®	★

### Antenna and SmartPower™

Code	Description	
WP5	Internal antenna, compatible with Green Power Module <sup>(1)</sup>	★

(1) Intrinsically Safe (IS) Power Module sold separately.

## Additional options

### Local wireless device access

Code	Description	
BLE <sup>(1)</sup>	Bluetooth® configuration and maintenance	★

(1) Requires the graphical LCD display (code M6).

### Extended product warranty

Code	Description	
WR3	3-year limited warranty	★
WR5	5-year limited warranty	★

### Alternate transmitter diaphragm material

Code	Description	
ID2	316 SST	
ID3	Alloy C-276	
ID4 <sup>(1)</sup>	Alloy 400	
ID5 <sup>(1)</sup>	Tantalum	
ID6 <sup>(1)</sup>	Gold-plated Alloy 400 <sup>(2)</sup>	
ID7 <sup>(1)</sup>	Gold-plated SST	

(1) Not available with wireless output (code X).

(2) Includes graphite-filled PTFE O-ring.

### Installation accessories

Code	Description	
AB <sup>(1)</sup>	ANSI alignment ring (Class 150)	★
AC <sup>(1)</sup>	ANSI alignment ring (Class 300)	★
AD <sup>(1)</sup>	ANSI alignment ring (Class 600)	★
DG	DIN alignment ring (PN16)	★
DH	DIN alignment ring (PN40)	★
DJ	DIN alignment ring (PN100)	★
JB	JIS alignment ring (10K) <sup>(2)</sup>	
JR	JIS alignment ring (20K)	
JS	JIS alignment ring (40K)	

(1) Only required for 10 in. (250 mm) and 12 in. (300 mm) line sizes.

(2) Not available on 12 in. (300 mm) line size.

### Remote adapters

Code	Description	
FE	Flange adapters 316 SST (½ in. NPT)	★

**High temperature application**

Code	Description
HT	Graphite valve packing (T <sub>max</sub> = 850 °F [454 °C])

**Flow calibration**

Code	Description
WC	Flow calibration, 3-point, conditioning orifice option C
WD <sup>(1)</sup>	Flow calibration, 10-point, conditioning option C, Annubar™ option A

(1) Consult factory for pipe schedules other than schedule 40.

**Pressure testing**

Code	Description
P1	Hydrostatic testing with certificate

**Special cleaning**

Code	Description
P2	Cleaning for special processes

**Special inspection**

Code	Description
QC1	Visual and dimensional inspection with certificate
QC7	Inspection and performance certificate

**Transmitter calibration certification**

Code	Description
Q4	Calibration certificate for transmitter

**Quality certification for safety**

Only available with HART® 4–20 mA output (code A).

Code	Description
QT	Safety-certified to IEC 61508 with certificate of failure modes, effects, and diagnostic analysis (FMEDA) data

**Material traceability certification**

Code	Description
Q8	Material traceability certification per EN 10204:2004 3.1

**Positive material identification (PMI)**

Code	Description	
Q76	PMI verification and certificate	★

**Code conformance**

Code	Description	
J2	ANSI/ASME B31.1	
J3	ANSI/ASME B31.3	

**Materials conformance**

Materials of Construction comply with metallurgical requirements within NACE MR0175/ISO for sour oil field production environments. Environmental limits apply to certain materials. Consult latest standard for details. Selected materials also conform to NACE MR0103 for sour refining environments.

Selecting J5 option will provide Alloy C-276 transmitter diaphragms.

Code	Description	
J5	Certificate of Compliance to NACE MR0175/ISO 15156 for wetted materials	

**Country certification**

Code	Description	
J1	Canadian Registration	
J8	Chinese Certificate of Special Equipment Type Test	

**Product certifications**

Code	Description	
E8	ATEX Flameproof and Dust Certification	★
I1 <sup>(1)</sup>	ATEX Intrinsic Safety and Dust	★
IA	ATEX FISCO Intrinsic Safety; for FOUNDATION™ Fieldbus or PROFIBUS® PA Protocol only	★
N1	ATEX Type n Certification and Dust	★
K8	ATEX Flameproof, Intrinsic Safety, Type n, Dust (combination of E8, I1, and N1)	★
E5	USA Explosion-proof, Dust Ignition-proof	★
I5 <sup>(2)</sup>	USA Intrinsically Safe, Non-incendive	★
K5	USA Explosion-proof, Dust Ignition-proof, Intrinsically Safe, and Division 2	★
E6	Canada Explosion-proof, Dust Ignition-proof, Division 2	★
I6 <sup>(3)</sup>	Canada Intrinsic Safety	★
C6	Canada Explosion-proof, Dust Ignition-proof, Intrinsically Safe, and Division 2	★
K6	Canada and ATEX Explosion-proof, Intrinsically Safe, and Division 2 (combination of C6, E8, and I1)	★
E7	IECEX Flameproof, Dust Ignition-proof	★
I7	IECEX Intrinsic Safety	★
N7	IECEX Type n Certification	★

Code	Description	
K7	IECEX Flame-proof, Dust Ignition-proof, Intrinsic Safety, and Type n (combination of I7, N7, and E7)	★
E2	Brazil Flameproof	★
I2	Brazil Intrinsic Safety	★
IB	Brazil FISCO Intrinsically Safe; for FOUNDATION Fieldbus or PROFIBUS PA Protocols only	★
K2	Brazil Flameproof, Intrinsic Safety	★
E3	China Flameproof	★
I3	China Intrinsic Safety	★
EP	Republic of Korea Flameproof	★
IP	Republic of Korea Intrinsic Safety	★
EM	Technical Regulations Customs Union (EAC) Flameproof	★
IM	Technical Regulations Customs Union (EAC) Intrinsic Safety	★
KM	Technical Regulations Customs Union (EAC) Flameproof and Intrinsic Safety	★
KB	USA and Canada Explosion-proof, Dust Ignition-proof, Intrinsically Safe, and Division 2 (combination of K5 and C6)	★
KD	USA, Canada, and ATEX Explosion-proof, Intrinsically Safe (combination of K5, C6, I1, and E8)	★
KP	Republic of Korea Flameproof and Intrinsic Safety	★

- (1) *Dust approval not applicable to wireless (output code X).*  
(2) *Non-incendive certification not provided with wireless (output code X).*  
(3) *Only available with wireless output (code X).*

### Sensor fill fluid and O-ring options

Code	Description	
L1 <sup>(1)</sup>	Inert sensor fill fluid	★
L2	Graphite-filled (PTFE) O-ring	★
LA <sup>(1)</sup>	Inert sensor fill fluid and graphite-filled (PTFE) O-ring	★

- (1) *Not available with wireless output (code X).*

### Shipboard approvals

Not available with wireless output (code X).

Code	Description	
SBS	American Bureau of Shipping	★

### Display and interface options

Code	Description	
M6 <sup>(1)</sup>	Graphical LCD display	★
M5	LCD display	★
M4 <sup>(2)</sup>	LCD display with Local Operator Interface (LOI)	★

- (1) *Only available with 4–20 mA HART® output (code A).*  
(2) *Only available with 4–20 mA HART output (code A), low power (code M), and PROFIBUS® PA (code W).*

### Transient protection

This option is not available with wireless output code X. The T1 option is not needed with FISCO Product Certifications; transient protection is included with the FISCO Product Certification code IA, IB, and IE.

Code	Description	
T1	Transient terminal block	★

### Manifold for remote-mount option

Code	Description	
F2	3-valve manifold, SST	★
F6	5-valve manifold, SST	★

### Plantweb™ control functionality

Code	Description	
A01	FOUNDATION™ Fieldbus control function block suite	★

### Plantweb™ diagnostic functionality

Code	Description	
DA0 <sup>(1)</sup>	Loop Integrity diagnostic	★
DA1 <sup>(2)</sup>	Loop Integrity and Plugged Impulse Line diagnostics	★
D01	FOUNDATION™ Fieldbus Diagnostics Suite	★

(1) Only available with 4–20 mA HART® protocol (code A).

(2) Only available with 4–20 mA HART (code A) and low power (code M) output codes. With low power output code, only the Plugged Impulse Line Diagnostic is included.

### Alarm levels

Only available with HART® 4–20 mA output (code A).

Code	Description	
C4	NAMUR alarm and saturation levels, high alarm	★
CN	NAMUR alarm and saturation levels, low alarm	★
CR	Custom alarm and saturation signal levels, high alarm (See Rosemount 3051 <a href="#">Configuration Data Sheet</a> )	★
CS	Custom alarm and saturation signal levels, low alarm (See Rosemount 3051 <a href="#">Configuration Data Sheet</a> )	★
CT	Rosemount standard low alarm	★

### Ground screw

Code	Description	
V5	External ground screw assembly <sup>(1)</sup>	★

(1) The V5 option is not needed with the T1 option; external ground screw assembly is included with the T1 option.

### Enhanced safety

Code	Description	
T9	Enhanced Safety Instrumented Systems (SIS) proof testing and logging <sup>(1)</sup>	★

(1) Only available with 4–20 mA HART® output (code A).

### Configuration buttons

Code	Description	
D1 <sup>(1)</sup>	Quick service buttons	★
D4 <sup>(2)</sup>	Analog zero and span	★
DZ <sup>(3)</sup>	Digital zero trim	★

(1) Only available with graphical LCD display (code M6).

(2) Only available with 4–20 mA HART® output (code A).

(3) Only available with 4–20 mA HART output (code A) and wireless output (code X).

### Enhanced software

Enhanced software enables application specific configuration, expanded process alerts, and logging capabilities.

Code	Description	
RK	Enhanced software	★

## Rosemount 3051CFP Integral Orifice Flow Meter ordering information



Rosemount 3051CFP Integral Orifice Flow Meters enable highly accurate flow measurement in small line sizes. Internal pipe diameter variation in combination with plate centering issues can greatly magnify flow measurement errors in small line sizes. Integral Orifice Flow Meters use a precision honed pipe section to minimize internal pipe diameter variation along with a self-centering plate design to eliminate alignment errors.

- Up to 1.75 percent of flow rate accuracy.
- Available in ½ - 1½ in. (15 - 40 mm) line sizes.
- Fully assembled and leak tested for out-of-the-box installation.
- Simplified flow configuration with clearly displayed flow rate and added totalizer (code M6, BLE, D1, DA1, T9, or RK).
- Loop Integrity and Plugged Impulse Line Diagnostics detect issues that might compromise the integrity of the output signal (code DA1).
- Bluetooth® enables efficient, reliable, and safe configuration and maintenance (code BLE).
- Back-lit Graphical Display with Local Language Capability (code M6).
- Safety certification and proof testing (code QT and T9).
- Typical 3051CFP model code: **3051CFP D F010 W1 S 0500 D3 2 AA 1 E5 M5**

[CONFIGURE >](#)
[VIEW PRODUCT >](#)

### Online product configurator

Many products are configurable online using our product configurator.

Select the **Configure** button or visit [Emerson.com/global](https://www.emerson.com/global) to start. With this tool's built-in logic and continuous validation, you can configure your products more quickly and accurately.

### Specifications and options

The purchaser of the equipment must specify and select:

- Product materials
- Options
- Components

### Sizing and selection

All Rosemount flow meters can be sized to meet your application specific requirements in the DP Flow sizing and selection tool. This tool will verify if a selected product meets your application requirements, provide a comparison between different primary elements, and generate a detailed accuracy comparison graph.

Once a sizing is completed, the configuration tool will help create a complete and valid model code to match your requirements and include any additional options or approvals.

### Model codes

Model codes contain the details related to each product. Exact model codes will vary; an example of a typical model code is shown in [Figure 5](#).

Figure 5: Model Code Example

**3051CFADL060ZSHPS1T100072AA1 WR5M6BLEDA1RK**

**1**

**2**

- A. Required model components <sup>(5)</sup>
- B. Additional options <sup>(6)</sup>

### Optimizing lead time

The starred offerings (★) represent the most common options and should be selected for the fastest delivery. The non-starred offerings are subject to additional delivery lead time.

### Required model components

#### Model

Code	Description	
3051CFP	Integral Orifice Flow Meter	★

#### Measurement type

Code	Product description	
D	Differential pressure	★

#### Material type and body

Code	Description	
F	316 SST, enhanced support body	★

#### Line size

Code	Description	
005	½ in. (15 mm)	★
010	1 in. (25 mm)	★
015	1½ in. (40 mm)	★

(5) Choices available on most.

(6) Variety of features and functions that may be added to products.

### Process connection

Code	Description	
T1	NPT female body (not available with remote thermowell and RTD)	★
S1 <sup>(1)</sup>	Socket weld body (not available with remote thermowell and RTD)	★
P1	Pipe ends: NPT threaded	★
P2	Pipe ends: beveled	★
D1	Pipe ends: flanged, PN16 EN-1092-1 RF, slip-on	★
D2	Pipe ends: flanged, PN40 EN-1092-1 RF, slip-on	★
D3	Pipe ends: flanged, PN100 EN-1092-1 RF, slip-on	★
W1	Pipe ends: flanged, Class 150 RF ASME B16.5, weld-neck	★
W3	Pipe ends: flanged, Class 300 RF ASME B16.5, weld-neck	★
W6	Pipe ends: flanged, Class 600 RF ASME B16.5, weld-neck	★
W9	Pipe ends: flanged, Class 900 RF ASME B16.5, weld-neck	
A1	Pipe ends: flanged, Class 150 RF ASME B16.5, slip-on	
A3	Pipe ends: flanged, Class 300 RF ASME B16.5, slip-on	
A6	Pipe ends: flanged, Class 600 RF ASME B16.5, slip-on	
R1	Pipe ends: flanged, Class 150 RTJ ASME B16.5, slip-on	
R3	Pipe ends: flanged, Class 300 RTJ ASME B16.5, slip-on	
R6	Pipe ends: flanged, Class 600 RTJ ASME B16.5, slip-on	
R9	Pipe ends: flanged, Class 900 RTJ ASME B16.5, weld-neck	

(1) To improve pipe perpendicularity for gasket sealing, socket diameter is smaller than standard pipe O.D.

### Orifice plate material

Code	Description	
S	316 SST	★
H	Alloy C-276	
M	Alloy 400	

### Bore size option

Code	Description	
0010	0.010 in. (0.25 mm) for ½ inch pipe	
0014	0.014 in. (0.36 mm) for ½ inch pipe	
0020	0.020 in. (0.51 mm) for ½ inch pipe	
0034	0.034 in. (0.86 mm) for ½ inch pipe	
0066	0.066 in. (1.68 mm) for ½ inch pipe	★
0109	0.109 in. (2.77 mm) for ½ inch pipe	★
0160	0.160 in. (4.06 mm) for ½ inch pipe	★
0196	0.196 in. (4.98 mm) for ½ inch pipe	★
0260	0.260 in. (6.60 mm) for ½ inch pipe	★

Code	Description	
0340	0.340 in. (8.64 mm) for ½ inch pipe	★
0150	0.150 in. (3.81 mm) for 1 inch pipe	★
0250	0.250 in. (6.35 mm) for 1 inch pipe	★
0345	0.345 in. (8.76 mm) for 1 inch pipe	★
0500	0.500 in. (12.70 mm) for 1 inch pipe	★
0630	0.630 in. (16.00 mm) for 1 inch pipe	★
0800	0.800 in. (20.32 mm) for 1 inch pipe	★
0295	0.295 in. (7.49 mm) for 1½ inch pipe	★
0376	0.376 in. (9.55 mm) for 1½ inch pipe	★
0512	0.512 in. (13.00 mm) for 1½ inch pipe	★
0748	0.748 in. (19.00 mm) for 1½ inch pipe	★
1022	1.022 in. (25.96 mm) for 1½ inch pipe	★
1184	1.184 in. (30.07 mm) for 1½ inch pipe	★
XXXX	Special bore size (X.XXX in.)	

### Transmitter connection platform

Code	Description	
D3	Direct-mount, 3-valve manifold, SST	★
D5	Direct-mount, 5-valve manifold, SST	★
R3	Remote-mount, 3-valve manifold, SST	★
R5	Remote-mount, 5-valve manifold, SST	
D4 <sup>(1)</sup>	Direct-mount, 3-valve manifold, alloy C-276	
D6 <sup>(1)</sup>	Direct-mount, 5-valve manifold, alloy C-276	
R4	Remote-mount, 3-valve manifold, alloy C-276	
R6	Remote-mount, 5-valve manifold, alloy C-276	

(1) Changes the transmitter orientation of the assembly. For more information, refer to the D4, D6 option for C-276 manifold assembly in the product drawing.

### Differential pressure range

Code	Description	
1	0 - 25 inH <sub>2</sub> O (0 to 62.16 mbar)	★
2	0 - 250 inH <sub>2</sub> O (0 to 621.60 mbar)	★
3	0 - 1000 inH <sub>2</sub> O (0 to 2.49 bar)	★

### Transmitter output

Code	Description	
A	4–20 mA with digital signal based on HART® Protocol	★
F	FOUNDATION™ Fieldbus Protocol	★
W <sup>(1)</sup>	PROFIBUS® PA Protocol	★

X <sup>(2)</sup>	Wireless <sup>(3)</sup>	★
M <sup>(4)</sup>	Low-power, 1–5 Vdc with digital signal based on HART Protocol	

(1) For local addressing and configuration, M4 (LOI) is required. Not available with product certification codes EM, IM, KM, KL, and KS.

(2) This option is only available with intrinsically safe approvals.

(3) Requires wireless options and engineered polymer housing.

(4) Only available with C6, E2, E5, I5, K5, KB, EM, IM, KM, EP, and E8 product certifications.

### Housing material

Code	Description	Conduit entry size	
A	Aluminum	½—14 NPT	★
B	Aluminum	M20 x 1.5	★
J	SST	½—14 NPT	★
K	SST	M20 x 1.5	★
P <sup>(1)</sup>	Engineered polymer	No conduit entries	★
D <sup>(2)</sup>	Aluminum	G½	
M <sup>(2)</sup>	SST	G½	

(1) Only available with wireless output (code X).

(2) Transmitter conduit entry will be ½ NPT and a ½ NPT to G½ thread adapter will be provided. These options are only available with product certifications option I1. Product certifications option IG is available with aluminum only (option D).

### Transmitter performance class

Code	Description	
1	Up to ±1.75% flow rate accuracy, 8:1 flow turndown, 5-year stability	★

### Wireless options

Requires wireless output (code X) and engineered polymer housing (code P).

### Wireless transmit rate, operating frequency, and protocol

Code	Description	
WA3	User-configurable transmit rate, 2.4 GHz WirelessHART®	★

### Antenna and SmartPower™

Code	Description	
WP5	Internal antenna, compatible with Green Power Module <sup>(1)</sup>	★

(1) Intrinsically Safe (IS) Power Module sold separately.

### Additional options

#### Local wireless device access

Code	Description	
BLE <sup>(1)</sup>	Bluetooth® configuration and maintenance	★

(1) Requires the Graphical LCD Display (code M6).

**Extended product warranty**

Code	Description	
WR3	3-year limited warranty	★
WR5	5-year limited warranty	★

**Alternate transmitter diaphragm material**

Code	Description	
ID2	316 SST	
ID3	Alloy C-276	
ID4 <sup>(1)</sup>	Alloy 400	
ID5 <sup>(1)</sup>	Tantalum	
ID6 <sup>(1)</sup>	Gold-plated Alloy 400 <sup>(2)</sup>	
ID7 <sup>(1)</sup>	Gold-plated SST	

(1) Not available with wireless output (code X).

(2) Includes graphite-filled PTFE O-ring.

**Transmitter body/bolt material**

Code	Description	
GT	High temperature [850 °F (454 °C)]	

**Temperature sensor**

Thermowell material is the same as the body material.

Code	Description	
RT	Thermowell and RTD	★

**Optional connection**

Code	Description	
G1	DIN 19213 transmitter connection	

**Pressure testing**

Code	Description	
P1	Hydrostatic testing with certificate <sup>(1)</sup>	

(1) This option does not apply to process connection codes T1 and S1. Option P1 may not be ordered in combination with P2.

**Special cleaning**

Code	Description	
P2	Cleaning for special processes	

**Material testing**

Code	Description	
V1	Dye penetrant exam	

**Material examination**

Code	Description	
V2	Radiographic examination	

**Flow calibration**

Code	Description	
WD	Discharge coefficient verification <sup>(1)</sup>	

(1) This option is not available for bore sizes 0010, 0014, 0020, 0034, 0066, or 0109. This option does not apply to process connection codes T1 and S1.

**Special inspection**

Code	Description	
QC1	Visual and dimensional inspection with certificate	★
QC7	Inspection and performance certificate	★

**Material traceability certification**

Code	Description	
Q8	Material traceability certification per EN 10204: 2004 3.1	★

**Positive material identification (PMI)**

Code	Description	
Q76	PMI verification and certificate	★

**Code conformance**

This option is not available with DIN Process Connection codes D1, D2, or D3.

Code	Description	
J2 <sup>(1)</sup>	ANSI/ASME B31.1	
J3 <sup>(1)</sup>	ANSI/ASME B31.3	

(1) Changes the transmitter orientation of the assembly. Please refer to the J2, J3 options for B31 compliant assembly in the product drawing.

**Materials conformance**

Materials of Construction comply with metallurgical requirements within NACE MR0175/ISO for sour oil field production environments. Environmental limits apply to certain materials. Consult latest standard for details. Selected materials also conform to NACE MR0103 for sour refining environments.

Selecting J5 option will provide Alloy C-276 transmitter diaphragms.

Code	Description
J5	Certificate of Compliance to NACE MR0175/ISO 15156 for wetted materials

### Country certification

Code	Description
J1	Canadian Registration
J6	European Pressure Directive (PED)

### Transmitter calibration certification

Code	Description
Q4	Calibration certificate for transmitter

### Quality certification for safety

Code	Description
QT	Safety certified to IEC 61508 with certificate of FMEDA <sup>(1)</sup>

(1) This option is only available with HART® 4-20 mA output (code A).

### Product certification

Code	Description
E8	ATEX Flameproof and Dust Certification
I1 <sup>(1)</sup>	ATEX Intrinsic Safety and Dust
IA	ATEX FISCO Intrinsic Safety; for FOUNDATION™ Fieldbus or PROFIBUS® PA Protocol only
N1	ATEX Type n Certification and Dust
K8	ATEX Flameproof, Intrinsic Safety, Type n, Dust (combination of E8, I1 and N1)
E5	USA Explosion-proof, Dust Ignition-Proof
I5 <sup>(2)</sup>	USA Intrinsically Safe, Nonincendive
K5	USA Explosion-proof, Dust Ignition-Proof, Intrinsically Safe, and Division 2
E6	Canada Explosion-proof, Dust Ignition-proof, Division 2
I6 <sup>(3)</sup>	Canada Intrinsic Safety
C6	Canada Explosion-proof, Dust Ignition-proof, Intrinsically Safe, and Division 2
IE	USA FISCO Intrinsically Safe
K6	Canada and ATEX Explosion-proof, Intrinsically Safe, and Division 2 (combination of C6, E8, and I1)
E7	IECEX Flameproof, Dust Ignition-proof
I7	IECEX Intrinsic Safety
IG	IECEX FISCO Intrinsically Safe; for FOUNDATION Fieldbus or PROFIBUS PA Protocols only
N7	IECEX Type n Certification
K7	IECEX Flame-proof, Dust Ignition-proof, Intrinsic Safety, and Type n (combination of I7, N7, and E7)
E2	Brazil Flameproof
I2	Brazil Intrinsic Safety

Code	Description	
IB	Brazil FISCO intrinsically safe; for FOUNDATION Fieldbus or PROFIBUS PA Protocols only	★
K2	Brazil Flameproof, Intrinsic Safety	★
E3	China Flameproof	★
I3	China Intrinsic Safety	★
EP	Republic of Korea Flameproof	
IP	Republic of Korea Intrinsic Safety	
EM	Technical Regulations Customs Union (EAC) Flameproof	★
IM	Technical Regulations Customs Union (EAC) Intrinsic Safety	★
KM	Technical Regulations Customs Union (EAC) Flameproof and Intrinsic Safety	★
KB	USA and Canada Explosion-proof, Dust Ignition Proof, Intrinsically Safe, and Division 2 (combination of K5 and C6)	★
KD	USA, Canada, and ATEX Explosion-proof, Intrinsically Safe (combination of K5, C6, I1, and E8)	★
KP	Republic of Korea Flameproof, Intrinsic Safety	

- (1) *Dust approval not applicable to transmitter wireless (output code X).*  
(2) *Nonincendive certification not provided with transmitter wireless (output code X).*  
(3) *Only available with transmitter wireless (output code X).*

### Sensor fill fluid and O-ring options

Code	Description	
L1 <sup>(1)</sup>	Inert sensor fill fluid <sup>(2)</sup>	★
L2	Graphite-filled (PTFE) O-ring	★
LA <sup>(1)</sup>	Inert sensor fill fluid and graphite-filled (PTFE) O-ring	★

- (1) *Not available with wireless output (code X).*  
(2) *Silicone fill fluid is standard.*

### Shipboard approvals

Code	Description	
SBS	American Bureau of Shipping <sup>(1)</sup>	★

- (1) *Not available with wireless output (code X).*

### Display and interface options

Code	Description	
M6 <sup>(1)</sup>	Graphical LCD display	★
M5	LCD display	★
M4 <sup>(2)</sup>	LCD display with LOI	★

- (1) *Only available with 4-20 mA HART<sup>®</sup> output (code A).*  
(2) *Only available with 4-20 mA HART output (code A), Low Power (code M), and PROFIBUS<sup>®</sup>-PA (code W).*

### Transient protection

This option is not available with wireless output (code X). The T1 option is not needed with FISCO Product Certifications; transient protection is included with the FISCO Product Certification (codes IA, IB, and IE).

Code	Description	
T1	Transient terminal block	★

**Plantweb™ control functionality**

Code	Description	
A01	FOUNDATION™ Fieldbus control function block suite	★

**Plantweb™ diagnostic functionality**

Code	Description	
DA0 <sup>(1)</sup>	Loop Integrity diagnostic	★
DA1 <sup>(2)</sup>	Loop Integrity and Plugged Impulse Line diagnostics	★
D01	FOUNDATION™ Fieldbus Diagnostics Suite	★

(1) Only available with 4–20 mA HART® protocol (code A).

(2) Only available with 4–20 mA HART (code A) and low power (code M) output codes. With low power output code, only the Plugged Impulse Line Diagnostic is included.

**Alarm levels**

Only available with HART® 4–20 mA output (code A).

Code	Description	
C4	NAMUR alarm and saturation levels, high alarm	★
CN	NAMUR alarm and saturation levels, low alarm	★
CR	Custom alarm and saturation signal levels, high alarm (See Rosemount 3051 <a href="#">Configuration Data Sheet</a> )	★
CS	Custom alarm and saturation signal levels, low alarm (See Rosemount 3051 <a href="#">Configuration Data Sheet</a> )	★
CT	Rosemount standard low alarm	★

**Ground screw**

Code	Description	
V5	External ground screw assembly <sup>(1)</sup>	★

(1) The V5 option is not needed with the T1 option; external ground screw assembly is included with the T1 option.

**Enhanced safety**

Code	Description	
T9	Enhanced SIS proof testing and logging <sup>(1)</sup>	★

(1) Only available with HART® 4-20 mA output (Code A).

### Configuration buttons

Code	Description	
D1 <sup>(1)</sup>	Quick service buttons	★
D4 <sup>(2)</sup>	Analog zero and span	★
DZ <sup>(3)</sup>	Digital zero trim	★

(1) Only available with graphical LCD display (code M6).

(2) Only available with 4–20 mA HART® output (code A).

(3) Only available with 4–20 mA HART output (code A) and wireless output (code X).

### Enhanced software

Enhanced software enables application specific configuration, expanded process alerts, and logging capabilities.

Code	Description	
RK	Enhanced software	★

# Rosemount 3051L Level Transmitter ordering information



The Rosemount 3051L Level Transmitter combines the performance and capabilities of Rosemount 3051 Transmitters with the reliability and quality of a direct mount seal in one model number. Rosemount 3051L Level Transmitters offer a variety of process connections, configurations, and fill fluid types to meet a breadth of level applications.

- Quantify and optimize total system performance (code QZ).
- Tuned-System assembly (code S1).
- Loop Integrity Diagnostic detects issues that might compromise the integrity of the output signal (code DA1).
- Bluetooth® enables efficient, reliable, and safe configuration and maintenance (code BLE).
- Simplify level configuration with a built-in level configurator method that guides you through setting up your transmitter to measure level and volume (code M6, BLE, D1, DA1, T9, or RK).
- Back-lit Graphical Display with Local Language Capability (code M6).
- Safety certification and proof testing (code QT and T9).

[CONFIGURE >](#)
[VIEW PRODUCT >](#)

## Online product configurator

Many products are configurable online using our product configurator.

Select the **Configure** button or visit [Emerson.com/global](https://emerson.com/global) to start. With this tool's built-in logic and continuous validation, you can configure your products more quickly and accurately.

## Specifications and options

The purchaser of the equipment must specify and select:

- Product materials
- Options
- Components

## Model codes

Model codes contain the details related to each product. Exact model codes will vary; an example of a typical model code is shown in [Figure 6](#).

**Figure 6: Model Code Example**

**3051L3AA01D11AA WR5M6BLEDA1RK**

1

2

1. Required model components (choices available on most)
2. Additional options (variety of features and functions that may be added to products)

## Optimizing lead time

The starred offerings (★) represent the most common options and should be selected for the fastest delivery. The non-starred offerings are subject to additional delivery lead time.

## Required model components

### Model

Code	Description	
3051L	Level transmitter	★

### Pressure range

Code	Description	
2	-250 - 250 inH <sub>2</sub> O (-621.60 - 621.60 mbar)	★
3	-1000 - 1000 inH <sub>2</sub> O (-2.48 - 2.48 bar)	★
4	-300 - 300 psi (-20.68 - 20.68 bar)	★

### Transmitter output

Code	Description	
A	4-20 mA with digital signal based on HART® Protocol	★
F	FOUNDATION™ Fieldbus Protocol	★
W <sup>(1)</sup>	PROFIBUS® PA Protocol	★
X <sup>(2)</sup>	Wireless (requires wireless options and engineered polymer housing)	★
M <sup>(3)</sup>	Low-power, 1-5 Vdc with digital signal based on HART Protocol	

(1) For local addressing and configuration, M4 (LOI) is required. Not available with product certification codes EM, IM, KM, KL, and KS.

(2) This option is only available with intrinsically safe approvals.

(3) Only available with C6, E2, E5, I5, K5, KB, EM, IM, KM, EP, and E8 product certifications.

**Process connection size, material, extension length (high side)**

Code	Process connection size	Material	Extension length	
G0 <sup>(1)</sup>	2 inch/DN 50/A	316L SST	Flush mount only	★
H0 <sup>(1)</sup>	2 inch/DN 50	Alloy C-276	Flush mount only	★
J0	2 inch/DN 50	Tantalum	Flush mount only	★
A0 <sup>(1)</sup>	3 inch/DN 80	316L SST	Flush mount	★
A2 <sup>(1)</sup>	3 inch/DN 80	316L SST	2 inch/50 mm	★
A4 <sup>(1)</sup>	3 inch/DN 80	316L SST	4 inch/100 mm	★
A6 <sup>(1)</sup>	3 inch/DN 80	316L SST	6 inch/150 mm	★
B0 <sup>(1)</sup>	4 inch/DN 100	316L SST	Flush mount	★
B2 <sup>(1)</sup>	4 inch/DN 100	316L SST	2 inch/50 mm	★
B4 <sup>(1)</sup>	4 inch/DN 100	316L SST	4 inch/100 mm	★
B6 <sup>(1)</sup>	4 inch/DN 100	316L SST	6 inch/150 mm	★
C0 <sup>(1)</sup>	3 inch/DN 80	Alloy C-276	Flush mount	★
C2 <sup>(1)</sup>	3 inch/DN 80	Alloy C-276	2 inch/50 mm	★
C4 <sup>(1)</sup>	3 inch/DN 80	Alloy C-276	4 inch/100 mm	★
C6 <sup>(1)</sup>	3 inch/DN 80	Alloy C-276	6 inch/150 mm	★
D0 <sup>(1)</sup>	4 inch/DN 100	Alloy C-276	Flush mount	★
D2 <sup>(1)</sup>	4 inch/DN 100	Alloy C-276	2 inch/50 mm	★
D4 <sup>(1)</sup>	4 inch/DN 100	Alloy C-276	4 inch/100 mm	★
D6 <sup>(1)</sup>	4 inch/DN 100	Alloy C-276	6 inch/150 mm	★
E0	3 inch/DN 80	Tantalum	Flush mount only	★
F0	4 inch/DN 100	Tantalum	Flush mount only	★

(1) *Materials of Construction comply with metallurgical requirements highlighted within NACE MR0175/ISO 15156 for sour oil field production environments. Environmental limits apply to certain materials. Consult latest standard for details. Selected materials also conform to NACE MR0103 for sour refining environments.*

**Mounting flange size, rating, material (high side)**

Code	Size	Rating	Material	
M	2-in.	ASME B16.5 Class 150	CS	★
A	3-in.		CS	★
B	4-in.		CS	★
N	2-in.	ASME B16.5 Class 300	CS	★
C	3-in.		CS	★
D	4-in.		CS	★
P	2-in.	ASME B16.5 Class 600	CS	★
E	3-in.		CS	★
X <sup>(1)</sup>	2-in.	ASME B16.5 Class 150	316 SST	★
F <sup>(1)</sup>	3-in.		316 SST	★
G <sup>(1)</sup>	4-in.		316 SST	★
Y <sup>(1)</sup>	2-in.	ASME B16.5 Class 300	316 SST	★
H <sup>(1)</sup>	3-in.		316 SST	★
J <sup>(1)</sup>	4-in.		316 SST	★
Z <sup>(1)</sup>	2-in.	ASME B16.5 Class 600	316 SST	★
L <sup>(1)</sup>	3-in.		316 SST	★
Q	DN 50	PN 10-40 per EN 1092-1	CS	★
R	DN 80	PN 40 per EN 1092-1	CS	★
S	DN 100		CS	★
V	DN 100	PN 10/16 per EN 1092-1	CS	★
K <sup>(1)</sup>	DN 50	PN 10-40 per EN 1092-1	316 SST	★
T <sup>(1)</sup>	DN 80	PN 40 per EN 1092-1	316 SST	★
U <sup>(1)</sup>	DN 100		316 SST	★
W <sup>(1)</sup>	DN 100	PN 10/16 per EN 1092-1	316 SST	★
7 <sup>(1)</sup>	4-in.	ASME B16.5 Class 600	316 SST	★
1	N/A	10K per JIS B2238	316 SST	
2	N/A	20K per JIS B2238	CS	
3	N/A	40K per JIS B2238	CS	
4 <sup>(1)</sup>	N/A	10K per JIS B2238	CS	
5 <sup>(1)</sup>	N/A	20K per JIS B2238	316 SST	
6 <sup>(1)</sup>	N/A	40K per JIS B2238	316 SST	

(1) *Materials of Construction comply with metallurgical requirements highlighted within NACE MR0175/ISO 15156 for sour oil field production environments. Environmental limits apply to certain materials. Consult latest standard for details. Selected materials also conform to NACE MR0103 for sour refining environments.*

## Seal fill fluid

Code	Description	Specific gravity	Temperature limits (ambient temperature of 70 °F [21 °C])	
D	Silicone 200	0.93	-49 - +401 °F (-45 - +205 °C)	★
F	Silicone 200 for vacuum applications	0.93	For use in vacuum applications below 14.7 psia (1 bar-a), refer to vapor pressure curves in Rosemount DP Level Fill Fluid Specification <a href="#">Technical Note</a> .	★
L	Silicone 704 diffusion pump fluid	1.07	+32 - +401 °F (0 - +205 °C)	★
C	Silicone 704 for vacuum applications	1.07	For use in vacuum applications below 14.7 psia (1 bar-a), refer to vapor pressure curves in Rosemount DP Level Fill Fluid Specification <a href="#">Technical Note</a> .	★
A	SYLTHERM™ XLT	0.85	-102 - +293 °F (-75 - +145 °C)	★
H	Inert (halocarbon)	1.85	-49 - +320 °F (-45 - +160 °C)	★
G	Glycerin and water	1.13	+5 - +203 °F (-15 - +95 °C)	★
N	Neobee® M-20	0.92	+5 - +401 °F (-15 - +205 °C)	★
P	Propylene glycol and water	1.02	+5 - +203 °F (-15 - +95 °C)	★

## Low pressure side

Code	Configuration	Flange adapter	Diaphragm material	Sensor fluid	
11 <sup>(1)</sup>	Gauge	SST	316L SST	Silicone	★
21	Differential	SST	316 SST	Silicone	★
22 <sup>(1)</sup>	Differential	SST	Alloy C-276	Silicone	★
2A <sup>(2)</sup>	Differential	SST	316 SST	Inert (halocarbon)	★
2B <sup>(1)(2)</sup>	Differential	SST	Alloy C-276	Inert (halocarbon)	★
31 <sup>(1)</sup>	Tuned-system assembly with remote seal	None	316 SST	Silicone (requires option code S1)	★

(1) *Materials of Construction comply with metallurgical requirements highlighted within NACE MR0175/ISO 15156 for sour oil field production environments. Environmental limits apply to certain materials. Consult latest standard for details. Selected materials also conform to NACE MR0103 for sour refining environments.*

(2) *Not available with wireless output (code X).*

## O-ring

Code	Description	
A	Glass-filled PTFE	★

## Housing material

Code	Material	Conduit entry size	
A	Aluminum	½-14 NPT	★
B	Aluminum	M20 x 1.5	★
E	Aluminum, ultra low copper	½-14 NPT	
F	Aluminum, ultra low copper	M20 x 1.5	
J	SST	½-14 NPT	★

Code	Material	Conduit entry size	
K	SST	M20 x 1.5	★
P <sup>(1)</sup>	Engineered polymer	No conduit entries	★
D <sup>(2)</sup>	Aluminum	G½	
M <sup>(2)</sup>	SST	G½	

(1) Only available with wireless output (code X).

(2) Transmitter conduit entry will be ½ NPT and a ½ NPT to G½ thread adapter will be provided. Only available with product certifications options I1, I2, I3, I7, IA, IB, IM, KA, N1, N3, and N7. Product certifications option IG is available with aluminum only (option D).

## Wireless options

Requires wireless output (code X) and engineered polymer housing (code P).

### Wireless transmit rate, operating frequency, and protocol

Code	Description	
WA3	User configurable transmit rate, 2.4 GHz WirelessHART®	★

### Antenna and SmartPower

Code	Description	
WP5	Internal antenna, compatible with Green Power Module (I.S. Power Module sold separately)	★

## Additional options

Include with selected model number.

### Local wireless device access

Code	Description	
BLE <sup>(1)</sup>	Bluetooth® configuration and maintenance	★

(1) Requires the Graphical LCD display (code M6).

### Extended product warranty

Code	Description	
WR3	3-year limited warranty	★
WR5	5-year limited warranty	★

### Plantweb™ control functionality

Code	Description	
A01	FOUNDATION™ Fieldbus control function block suite	★

## Plantweb™ diagnostic functionality

Code	Description	
DA0 <sup>(1)</sup>	Loop Integrity diagnostic	★
DA1 <sup>(2)</sup>	Loop Integrity and Plugged Impulse Line diagnostics	★
D01	FOUNDATION™ Fieldbus Diagnostics Suite	★

(1) Only available with 4–20 mA HART® protocol (code A).

(2) Only available with 4–20 mA HART (code A) and low power (code M) output codes. With low power output code, only the Plugged Impulse Line Diagnostic is included.

## Seal assemblies

“Assemble-to” items are specified separately and require a completed model number.

Code	Description	
S1	Assembled to one Rosemount Seal	★

## Remote seal diaphragm coating

Code	Description	
SZ	0.0002 in. (5 µm) gold-plated diaphragm	
FP <sup>(1)</sup>	CorrosionShield™ PFA coated diaphragm	

(1) Not compatible with spiral wound gasket.

## Product certifications

Code	Description	
E8	ATEX Flameproof	★
I1 <sup>(1)</sup>	ATEX Intrinsic Safety	★
IA	ATEX FISCO Intrinsic Safety; for FOUNDATION™ Fieldbus or PROFIBUS® PA Protocol only	★
N1	ATEX Type n Certification	★
K1	ATEX Flameproof, Intrinsic Safety, Type n, Dust (combination of E8, I1, and N1)	★
E4 <sup>(2)</sup>	Japan Flameproof	★
E5	USA Explosion-proof, Dust Ignition-proof	★
I5 <sup>(3)</sup>	USA Intrinsically Safe, Non-incendive	★
K5	USA Explosion-proof, Dust Ignition-proof, Intrinsically Safe, and Division 2	★
E6	Canada Explosion-proof, Dust Ignition-proof, Division 2	★
I6	Canada Intrinsic Safety	★
C6	Canada Explosion-proof, Dust Ignition-proof, Intrinsically Safe, and Division 2	★
K6	Canada and ATEX Explosion-proof, Intrinsically Safe, and Division 2 (combination of C6, E8, and I1)	★
E7	IECEx Flameproof	★
I7	IECEx Intrinsic Safety	★
N7	IECEx Type n Certification	★
K7	IECEx Flameproof, Dust Ignition-proof, Intrinsic Safety, and Type n (combination of I7, N7, and E7)	★
IG	IECEx FISCO Intrinsically Safe; for FOUNDATION Fieldbus or PROFIBUS PA Protocols only	★

Code	Description	
E2	Brazil Flameproof	★
I2	Brazil Intrinsic Safety	★
IB	Brazil FISCO Intrinsically Safe; for FOUNDATION Fieldbus or PROFIBUS PA Protocols only	★
K2	Brazil Flameproof, Intrinsic Safety	★
E3	China Flameproof	★
I3	China Intrinsic Safety	★
EM	Technical Regulations Customs Union (EAC) Flameproof	★
IM	Technical Regulations Customs Union (EAC) Intrinsic Safety	★
KM	Technical Regulations Customs Union (EAC) Flameproof and Intrinsic Safety	★
KB	USA and Canada Explosion-proof, Dust Ignition-proof, Intrinsically Safe, and Division 2 (combination of K5 and C6)	★
KD	USA, Canada, and ATEX Explosion-proof, Intrinsically Safe (combination of K5, C6, I1, and E8)	★
KL <sup>(4)</sup>	USA, Canada, IECEx, ATEX Intrinsic Safety Combination	★
KS	USA, Canada, IECEx, ATEX Explosion-proof, Intrinsically Safe, Dust, Non-incendive, Type N, Division 2	★
EP	Republic of Korea Flameproof	★
IP	Republic of Korea Intrinsic Safety	★
KP	Republic of Korea Flameproof, Intrinsic Safety	★

- (1) *Dust approval not applicable to wireless (output code X). For wireless approvals, see the Certifications section of the [Rosemount 3051 Wireless Pressure Transmitters Reference Manual](#).*
- (2) *Only available with 4–20 mA HART® (output code A), FOUNDATION Fieldbus (output code F), or PROFIBUS PA (output code W). Only available with aluminum housing and ½ NPT conduit entry size (housing material code A).*
- (3) *Non-incendive certification not provided with wireless (output code X).*
- (4) *Only available with wireless (output code X).*

## Shipboard approvals

Not available with wireless output (code X).

Code	Description	
SBS	American Bureau of Shipping	★
SBV <sup>(1)</sup>	Bureau Veritas (BV)	★
SDN	Det Norske Veritas	★
SLL <sup>(1)</sup>	Lloyds Register (LR)	★

- (1) *Only available with product certification options E7, E8, I1, I7, IA, K7, K8, KD, N1, and N7.*

## Bolting material

Code	Description	
L4	Austenitic 316 SST bolts	★

## Display and interface options

M5	Description	
M6 <sup>(1)</sup>	Graphical LCD display	★
M5	LCD display	★

M4 <sup>(2)</sup>	LCD display with LOI	★
-------------------	----------------------	---

(1) Only available with 4-20 mA HART® output (code A).

(2) Only available with 4-20 mA HART® output (code A), Low Power (code M), and PROFIBUS®-PA (code W).

### Calibration certificate

Code	Description	
Q4	Calibration certificate	★
QP	Calibration certification and tamper evident seal	★

### Material traceability certification

Code	Description	
Q8	Material traceability certification per EN 10204 3.1	★

### Positive material identification (PMI)

Code	Description	
Q76	PMI verification and certificate	★

### Quality certification for safety

The quality certification for safety is only available with HART® 4–20 mA output (code A).

Code	Description	
QT	Safety certified to IEC 61508 with certificate of FMEDA	★

### Total system performance reports

Code	Description	
QZ	Remote seal system performance calculation report	★

### Conduit electrical connector

The conduit electrical connector option is not available with wireless output (code X).

Code	Description	
GB	ATEX Cable gland and plug, M20 x 1.5, polyamide, black	
GE	M12, 4-pin, male connector (eurofast®)	★
GM	A size mini, 4-pin, male connector (minifast®)	★

### Enhanced safety

Only available with HART 4-20 mA output (Code A).

Code	Description	
T9	Enhanced SIS proof testing and logging	★

## Configuration buttons

Code	Description	
D1 <sup>(1)</sup>	Quick service buttons	★
D4 <sup>(2)</sup>	Analog zero and span	★
DZ <sup>(3)</sup>	Digital zero trim	★

(1) Only available with Graphical LCD Display (code M6).

(2) Only available with HART<sup>®</sup> 4–20 mA (output code A).

(3) Only available with HART 4–20 mA (output code A) and wireless (output code X).

## Transient protection

The transient protection option is not available with wireless (option code X). The T1 option is not needed with FISCO Product Certifications; transient protection is included in the FISCO product certification codes IA, IB, and IE.

Code	Description	
T1	Transient protection terminal block	★

## Software configuration

The software configuration option is only available with HART<sup>®</sup> 4–20 mA (option code A) and wireless (option code X).

Code	Description	
C1	Custom software configuration (For wired, see the Rosemount 3051 <a href="#">Configuration Data Sheet</a> . For wireless, see the Rosemount 3051 Wireless <a href="#">Configuration Data Sheet</a> .)	★

## Alarm levels

The alarm levels option is only available with HART<sup>®</sup> 4–20 mA output (code A).

Code	Description	
C4	Analog output levels compliant with NAMUR recommendation NE 43, alarm high	★
CN	Analog output levels compliant with NAMUR recommendation NE 43, alarm low	★
CR	Custom alarm and saturation signal levels, high alarm (requires option code C1)	★
CS	Custom alarm and saturation signal levels, low alarm (requires option code C1)	★
CT	Rosemount standard low alarm	★

## Conduit plug

The conduit plug option is not available with wireless output (code X).

Code	Description	
DO	316 SST conduit plug	★

## Ground screw

The ground screw option is not available with wireless output (code X). The V5 option is not needed with the T1 option; external ground screw assembly is included with the T1 option.

Code	Description	
V5	External ground screw assembly	★

### Lower housing flushing connection options

Code	Ring material	Number	Size (NPT)	
F1	316 SST	1	¼-18 NPT	★
F2	316 SST	2	¼-18 NPT	★
F3	Alloy C-276	1	¼-18 NPT	★
F4	Alloy C-276	2	¼-18 NPT	★
F7	316 SST	1	½-14 NPT	★
F8	316 SST	2	½-14 NPT	★
F9	Alloy C-276	1	½-14 NPT	★
F0	Alloy C-276	2	½-14 NPT	★
FV	Assemble to Rosemount 319 Flushing Ring			★

### Lower housing intermediate gasket material

Code	Description	
S0	No gasket for lower housing	★
SY <sup>(1)</sup>	Klingersil C-4401 gasket	★

(1) Gasket provided when lower housing is ordered.

### NACE certificate

Note that NACE®-compliant wetted materials are required. Materials of construction must comply with recommendations per NACE MR0175/ISO 15156 for sour oil field production environments. Environmental limits apply to certain materials. Consult the latest standard for details. All selected materials must also conform to NACE MR0103 for sour refining environments.

Code	Description	
Q15	Certificate of Compliance to NACE MR0175/ISO 15156 for wetted materials	★
Q25	Certificate of Compliance to NACE MR0103 for wetted materials	★

### Enhanced software

Enhanced software enables application specific configuration, expanded process alerts, and logging capabilities.

Code	Description	
RK	Enhanced software	★

# Specifications

## Performance specifications

### Conformance to specifications ( $\pm 3\sigma$ [Sigma])

Technology leadership, advanced manufacturing techniques, and statistical process control ensure specification conformance to at least  $\pm 3\sigma$ .

### Reference accuracy

Stated reference accuracy equations include terminal based linearity, hysteresis, and repeatability. For wireless, FOUNDATION™ Fieldbus, and PROFIBUS® PA devices, use calibrated range in place of span.

Models	Rosemount 3051 and WirelessHART®
<b>Rosemount 3051C<sup>(1)</sup></b>	
Range 5	$\pm 0.065\%$ of span For spans less than 10:1, accuracy = $\pm \left[ 0,015 + 0,005 \left( \frac{URL}{Span} \right) \right] \% \text{ of Span}$
Ranges 2–4	$\pm 0.04\%$ of span For spans less than 10:1 <sup>(2)</sup> , accuracy = $\pm \left[ 0,015 + 0,005 \left( \frac{URL}{Span} \right) \right] \% \text{ of Span}$
Range 1	$\pm 0.10\%$ of span For spans less than 15:1, accuracy = $\pm \left[ 0,025 + 0,005 \left( \frac{URL}{Span} \right) \right] \% \text{ of Span}$
Range 0 (CD)	$\pm 0.10\%$ of span For spans less than 2:1, accuracy = $\pm 0.05\%$ of URL
<b>Rosemount 3051CA</b>	
Ranges 1–4	$\pm 0.04\%$ of span <sup>(3)</sup> For spans less 10:1, accuracy = $\pm \left[ 0,0075 \left( \frac{URL}{Span} \right) \right] \% \text{ of Span}$
<b>Rosemount 3051T<sup>(1)</sup></b>	
Range 0	$\pm 0.04\%$ of span <sup>(3)</sup> For spans less 5:1 to 20:1, accuracy = $\pm \left[ 0,05 + 0,01 \left( \frac{URL}{Span} \right) \right] \% \text{ of span}$

Ranges 1-4	± 0.04% of span <sup>(3)</sup> For spans less than 10:1, accuracy = $\pm \left[ 0,0075 \left( \frac{URL}{Span} \right) \right] \% \text{ of Span}$
Range 5-6	± 0.075% of span
<b>Rosemount 3051L</b>	
Ranges 2-4	± 0.075% of span For spans less than 10:1, accuracy = $\pm \left[ 0,025 + 0,005 \left( \frac{URL}{Span} \right) \right] \% \text{ of Span}$

- (1) For Rosemount 3051C and 3051T with seal assemble to code S1, use 3051L specification.
- (2) For output code F, for span less than 5:1.
- (3) For output code M, ±0.065 percent span.

**Flow Performance - Flow Reference Accuracy**

**Note**

Accuracy over range of use is always application dependent. Range 1 flow meters may experience an additional uncertainty up to 0.9 percent. Consult your Emerson representative for exact specifications.

<b>Rosemount 3051CFA Annubar™ Flow Meter</b>		
Ranges 2-3		±1.80% of flow rate at 8:1 flow turndown
<b>Rosemount 3051CFC_A Compact Annubar Flow Meter – Rosemount Annubar Option A</b>		
Ranges 2-3	Standard	±2.10% of flow rate at 8:1 flow turndown
	Calibrated	±1.80% of Flow Rate at 8:1 flow turndown
<b>Rosemount 3051CFC_C Compact Orifice Flow Meter – Conditioning Option C</b>		
Ranges 2-3	β = 0.4	±1.75% of flow rate at 8:1 flow turndown
	β = 0.50, 0.65	±1.95% of flow rate at 8:1 flow turndown
<b>Rosemount 3051CFC_P Compact Orifice Flow Meter – Orifice Type Option P<sup>(1)</sup></b>		
Ranges 2-3	β = 0.4	±2.00% of flow rate at 8:1 flow turndown
	β = 0.65	±2.00% of flow rate at 8:1 flow turndown
<b>Rosemount 3051CFP Integral Orifice Flow Meter</b>		
Ranges 2-3	β < 0.1	±3.00% of flow rate at 8:1 flow turndown
	0.1 < β < 0.2	±1.95% of flow rate at 8:1 flow turndown
	0.2 < β < 0.6	±1.75% of flow rate at 8:1 flow turndown
	0.6 < β < 0.8	±2.15% of flow rate at 8:1 flow turndown

- (1) Applicable to 2 - 12 inch line sizes. For smaller line sizes, see the Rosemount DP Flow Meters and Primary Elements [Product Data Sheet](#).

### Total performance

Total performance is based on combined errors of reference accuracy, ambient temperature effect, and static pressure effect at normal operating conditions (70 percent of span typical reading, 740 psi (51.02 bar) line pressure).

For +50 °F (+28 °C) temperature changes; 0 – 100 percent relative humidity, from 1:1 to 5:1 rangedown

Models	Total performance <sup>(1)</sup>
Rosemount 3051C Ranges 2 – 5	+0.14% of span
Rosemount 3051L Ranges 2 – 4	Use Instrument Toolkit or the QZ option to quantify the total performance of a remote seal assembly under operating conditions.

(1) For output code W, F, and M, total performance is +0.15 percent of span.

### Long term stability

Models	Long term stability
<b>Rosemount 3051C</b>	
Ranges 2-5	±0.2% of URL for 10 years, ±50 °F (28 °C) temperature changes, and up to 1000 psi (68.95 bar) line pressure.
Rosemount 3051 CD, 3051CG Low/Draft Range Ranges 0-1, 3051TG Range 0	±0.2% of URL for 1 year
<b>Rosemount 3051CA Low Range</b>	
Range 1	±0.2% of URL for 10 years, ±50 °F (28 °C) temperature changes, and up to 1000 psi (68.95 bar) line pressure.
<b>Rosemount 3051T</b>	
Ranges 1-4	±0.2% of URL for 10 years, ±50 °F (28 °C) temperature changes, and up to 1000 psi (68.95 bar) line pressure.
<b>Rosemount 3051L</b>	
Ranges 2-3	±0.1% of URL for 1 year
Ranges 4-5	±0.2% of URL for 1 year

### Dynamic performance

4 - 20 mA HART <sup>®</sup> (1)		FOUNDATION <sup>™</sup> Fieldbus and PROFIBUS <sup>®</sup> PA Protocols(2)	Typical HART transmitter response time
Total Response Time ( $T_d + T_c$ )(3):			
Rosemount 3051C			
Ranges 2-5(4)	85 ms	152 ms	
Range 1	255 ms	307 ms	
Range 0	700 ms	N/A	
Rosemount 3051T	100 ms	152 ms	
Rosemount 3051L	See Instrument Toolkit.	See Instrument Toolkit.	
Dead time ( $T_d$ )	45 ms (nominal)	97 ms	
Update rate(5)	22 times per second	22 times per second	

- (1) Dead time and update rate apply to all models and ranges; analog output only.
- (2) Transducer block response time, Analog Input block execution time not included.
- (3) Nominal total response time at 75 °F (24 °C) reference conditions.
- (4) With option codes M6, RK, T9, DA1, response time is 85 ms. All other options response time is 100 ms.
- (5) Does not apply to wireless output (code X). See [Wireless \(output code X\)](#) for wireless update rate.

### Line pressure effect per 1000 psi (68.95 bar)

For line pressures above 2000 psi (137.90 bar) and Ranges 4–5, see the following documents:

- For HART<sup>®</sup>, see [Rosemount 3051 Pressure Transmitter with 4-20 mA HART Protocol Manual](#)
- For WirelessHART, see [Rosemount 3051 Wireless Pressure Transmitters Reference Manual](#)
- For FOUNDATION<sup>™</sup> Fieldbus, see the [Rosemount 3051 Pressure Transmitter with FOUNDATION<sup>™</sup> Fieldbus Protocol Reference Manual](#).
- For FOUNDATION<sup>™</sup> Fieldbus, see the [Rosemount 3051 Pressure Transmitter with FOUNDATION<sup>™</sup> Fieldbus Protocol Reference Manual](#).
- For PROFIBUS<sup>®</sup> PA, see the [Rosemount 3051 Pressure Transmitter with PROFIBUS PA Protocol Reference Manual](#).

**Table 1: Rosemount 3051CD and 3051CF Line Pressure Effect**

Range	Line pressure effect
<b>Zero error</b>	
Ranges 2-3	±0.05% of URL/1000 psi (68.95 bar) for line pressures from 0 to 2000 psi (0 to 137.90 bar)
Range 1	±0.25% of URL/1000 psi (68.95 bar) for line pressures from 0 to 2000 psi (0 to 137.90 bar)
Range 0	±0.125% of URL/100 psi (6.89 bar) for line pressures from 0 to 750 psi (0 to 51.71 bar)
<b>Span error</b>	
Ranges 2-3	±0.1% of reading/1000 psi (68.95 bar)
Range 1	±0.4% of reading/1000 psi (68.95 bar)
Range 0	±0.15% of reading/100 psi (6.895 bar)

### Ambient temperature effect per 50 °F (28 °C)

Models	Ambient temperature effect
<b>Rosemount 3051C</b>	
Range 0	$\pm(0.25\% \text{ URL} + 0.05\% \text{ span})$ from 1:1 to 30:1
Range 1	$\pm(0.1\% \text{ URL} + 0.25\% \text{ span})$ from 1:1 to 30:1 $\pm(0.14\% \text{ URL} + 0.15\% \text{ span})$ from 30:1 to 50:1
Ranges 2–5	$\pm(0.0125\% \text{ URL} + 0.0625\% \text{ span})$ from 1:1 to 5:1 $\pm(0.025\% \text{ URL} + 0.125\% \text{ span})$ from 5:1 to 150:1
<b>Rosemount 3051CA</b>	
Ranges 1–4	$\pm(0.025\% \text{ URL} + 0.125\% \text{ span})$ from 1:1 to 30:1 $\pm(0.035\% \text{ URL} + 0.125\% \text{ span})$ from 30:1 to 150:1
<b>Rosemount 3051T</b>	
Range 0	$\pm(0.15\% \text{ URL} + 0.075\% \text{ span})$ from 1:1 to 20:1
Range 1	$\pm(0.025\% \text{ URL} + 0.125\% \text{ span})$ from 1:1 to 10:1 $\pm(0.05\% \text{ URL} + 0.125\% \text{ span})$ from 10:1 to 100:1
Range 2–4	$\pm(0.025\% \text{ URL} + 0.125\% \text{ span})$ from 1:1 to 30:1 $\pm(0.035\% \text{ URL} + 0.125\% \text{ span})$ from 30:1 to 150:1
Range 5–6	$\pm(0.1\% \text{ URL} + 0.15\% \text{ span})$ from 1:1 to 5:1
<b>Rosemount 3051L</b>	<b>See Instrument Toolkit™ software.</b>

### Mounting position effects

Models	Mounting position effects
Rosemount 3051C	Zero shifts up to $\pm 1.25$ in $\text{H}_2\text{O}$ (3.11 mbar), which can be calibrated out. No span effect.
Rosemount 3051CA, 3051T	Zero shifts up to $\pm 2.5$ in $\text{H}_2\text{O}$ (6.22 mbar), which can be calibrated out. No span effect.
Rosemount 3051L	With liquid level diaphragm in vertical plane, zero shift of up to $\pm 1$ in $\text{H}_2\text{O}$ (2.49 mbar). With diaphragm in horizontal plane, zero shift of up to $\pm 5$ in $\text{H}_2\text{O}$ (12.43 mbar) plus extension length on extended units. All zero shifts can be calibrated out. No span effect.

### Vibration effect

Less than  $\pm 0.1$  percent of URL when tested per the requirements of IEC60770-1: 1999 field or pipeline with high vibration level (10–60 Hz 0.21 mm displacement peak amplitude/60–2000 Hz 3g).

### Power supply effect

Less than  $\pm 0.005$  percent of calibrated span per volt change.

### Electromagnetic compatibility

Meets all industrial environment requirements of EN61326 and NAMUR NE-21. Maximum deviation  $< 1\%$  span during EMC disturbance.

#### Note

NAMUR NE-21 does not apply to Low-Power (transmitter output option code M) or Wireless (transmitter output code X).

### Transient protection (option code T1)

Tested in accordance with IEEE C62.41.2-2002, location category B

- 6 kV crest (0.5 μs - 100 kHz)
- 3 kA crest (8 x 20 μs)
- 6 kV crest (1.2 x 50 μs)

## Functional specifications

### Range and sensor limits

**Table 2: Rosemount 3051CD, 3051CG, 3051CF, and 3051L Range and Sensor Limits**

Range <sup>(1)</sup>	Minimum span	Range and sensor limits				
		Upper (URL)	Lower (LRL)			
			Rosemount 3051CD Differential, 3051CF Flow Meters	Rosemount 3051CG Gage	Rosemount 3051L Differential	Rosemount 3051L Gage
0	0.10 inH <sub>2</sub> O (0.24 mbar)	3.00 inH <sub>2</sub> O (7.45 mbar)	-3.00 inH <sub>2</sub> O (-7.45 mbar)	N/A	N/A	N/A
1	0.50 inH <sub>2</sub> O (1.24 mbar)	25.00 inH <sub>2</sub> O (62.16 mbar)	-25.00 inH <sub>2</sub> O (-62.16 mbar)	-25.00 inH <sub>2</sub> O (-62.16 mbar)	N/A	N/A
2	1.67 inH <sub>2</sub> O (4.15 mbar)	250.00 inH <sub>2</sub> O (621.60 mbar)	-250.00 inH <sub>2</sub> O (-621.60 mbar)	-250.00 inH <sub>2</sub> O (-621.60 mbar)	-250.00 inH <sub>2</sub> O (-621.60 mbar)	-250.00 inH <sub>2</sub> O (-621.60 mbar)
3	6.67 inH <sub>2</sub> O (16.58 mbar)	1000.00 inH <sub>2</sub> O (2.48 bar)	-1000.00 inH <sub>2</sub> O (-2.48 bar)	0.50 psia (34.47 mbar)	-1000.00 inH <sub>2</sub> O (-2.48 bar)	0.50 psia (34.47 mbar)
4	2.00 psi (137.89 mbar)	300.00 psi (20.68 bar)	-300.00 psi (-20.68 bar)	0.50 psia (34.47 mbar)	-300.00 psi (-20.68 bar)	0.50 psia (34.47 mbar)
5	13.33 psi (919.01 mbar)	2000.00 psi (137.89 bar)	-2000.00 psi (-137.89 bar)	0.50 psia (34.47 mbar)	N/A	N/A

(1) inH<sub>2</sub>O referenced at 68 °F (20 °C). Range 0 only available with Rosemount 3051CD. Range 1 only available with 3051CD, 3051CG, or 3051CF.

**Table 3: Rosemount 3051CA and 3051T Range and Sensor Limits**

Range	Rosemount 3051CA			Rosemount 3051T			
	Minimum span	Upper (URL)	Lower (LRL)	Minimum span <a href="#">Range and sensor limits</a>	Upper (URL)	Lower (LRL) (absolute)	Lower <sup>(1)</sup> (LRL) (gage)
0	N/A	N/A	N/A	0.25 psi (17.24 mbar)	5 psi (344.74 mbar)	N/A	-5 psi (-344.74 mbar)
1	0.30 psi (20.68 mbar)	30 psia (2.06 bar)	0 psia (0 bar)	0.30 psi (20.68 mbar)	30.00 psi (2.06 bar)	0 psia (0 bar)	-14.70 psig (-1.01 bar)
2	1.00 psi (68.94 mbar)	150 psia (10.34 bar)	0 psia (0 bar)	1.00 psi (68.94 mbar)	150.00 psi (10.34 bar)	0 psia (0 bar)	-14.70 psig (-1.01 bar)
3	5.33 psi (367.49 mbar)	800 psia (55.15 bar)	0 psia (0 bar)	5.33 psi (367.49 mbar)	800.00 psi (55.15 bar)	0 psia (0 bar)	-14.70 psig (-1.01 bar)
4	26.67 psi (1.83 bar)	4000 psia (275.79 bar)	0 psia (0 bar)	26.67 psi (1.83 bar)	4000.00 psi (275.79 bar)	0 psia (0 bar)	-14.70 psig (-1.01 bar)

**Table 3: Rosemount 3051CA and 3051T Range and Sensor Limits (continued)**

Range	Rosemount 3051CA			Rosemount 3051T			
	Minimum span	Upper (URL)	Lower (LRL)	Minimum span <a href="#">Range and sensor limits</a>	Upper (URL)	Lower (LRL) (absolute)	Lower <sup>(1)</sup> (LRL) (gage)
5	N/A	N/A	N/A	2000 psi (137.89 bar)	10000.00 psi (689.47 bar)	0 psia (0 bar)	-14.70 psig (-1.01 bar)
6	N/A	N/A	N/A	4000 psi (275.79 bar)	20000.00 psi (1378.95 bar)	0 psia (0 bar)	-14.70 psig (-1.01 bar)

(1) Assumes atmospheric pressure of 14.7 psig.

**Service**

Liquid, gas, and vapor applications.

**4–20 mA HART® (output code A)**

**Power supply**

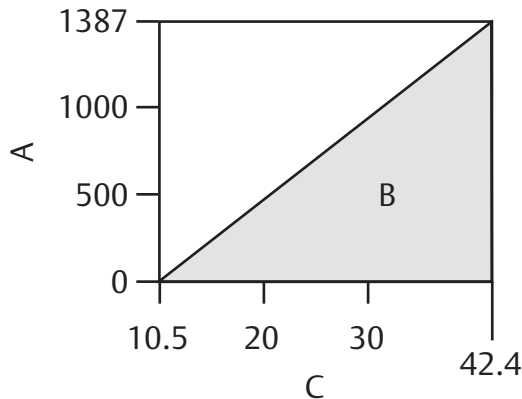
External power supply required. Standard transmitter (4–20 mA) operates on 10.5–42.4 Vdc with no load.

**Load limitations**

Maximum loop resistance is determined by the voltage level of the external power supply described by:

Max. loop resistance = 43.5 (power supply voltage - 10.5)

Communication requires a minimum loop resistance of 250 ohms.



- A. Load ( $\Omega$ s)
- B. Operating region
- C. Voltage (Vdc)

**Note**

For CSA approval, power supply must not exceed 42.4 V.

**Indication**

Optional 2-line LCD/LOI Display

Optional 3-line Graphical Display with Backlight and Local Language

- Languages include:
  - English
  - Chinese

- French
- German
- Italian
- Portuguese
- Russian
- Spanish

**Optional configuration buttons**

Configuration buttons need to be specified:

- Quick service buttons (option D1) allow for straightforward commissioning using a simple menu without needing to remove the housing cover. The quick service button option allows users to zero, rerange their device, perform a loop test, view configuration, and flip the graphical LCD display screen in the field.
- Digital Zero trim (option code DZ) changes digital value of the transmitter and is used for performing a sensor zero trim.
- Analog Zero and Span (option code D4) changes analog value and can be used to rerange the transmitter with an applied pressure.

**Output**

Two-wire 4–20 mA, user selectable for linear or square root output. Digital process variable superimposed on 4–20 mA signal, available to any host that conforms to HART Protocol.

**Bluetooth® Connectivity**

Typical Range: At least 50 ft. (15 m) line of sight. Maximum communication range will vary depending on orientation, obstacles (person, metal, wall, etc.), or electromagnetic environment.

**FOUNDATION™ Fieldbus (output code F)**

**Power supply**

External power supply required; transmitters operate on 9.0 to 32.0 Vdc transmitter terminal voltage. FISCO transmitters operate on 9.0 to 17.5 Vdc.

**Current draw**

17.5 mA for all configurations (including display option)

**Indication**

Optional two-line LCD display

**FOUNDATION Fieldbus block execution times**

Block	Execution time
Resource	N/A
Sensor and SPM transducer	N/A
LCD display	N/A
Analog input 1, 2	20 milliseconds
PID	25 milliseconds
Input selector	20 milliseconds
Arithmetic	20 milliseconds
Signal characterizer	20 milliseconds
Integrator	20 milliseconds

Block	Execution time
Output splitter	20 milliseconds
Control selector	20 milliseconds

**FOUNDATION Fieldbus parameters**

**Links:** out  
25 max.

**Virtual communications relationship (VCR):** 20 max.

**FOUNDATION Fieldbus function blocks (option A01)**

- Resource block** The resource block contains diagnostic, hardware, and electronics information. There are no linkable inputs or outputs to the resource block.
- Sensor transducer block** The sensor transducer block contains sensor information and the ability to calibrate the pressure sensor or recall factory calibration.
- LCD transducer block** The LCD display transducer block is used to configure the LCD display meter.
- Analog input block** The Analog Input (AI) function block processes the measurements from the sensor and makes them available to other function blocks. The output value from the AI block is in engineering units and contains a status indicating the quality of the measurement. The AI block is widely used for scaling functionality.
- Input selector block** The Input Selector (ISEL) function block can be used to select the first good, hot backup, maximum, minimum, or average of as many as eight input values and place it at the output. The block supports signal status propagation.
- Integrator block** The Integrator (INT) function block integrates one or two variables over time. The block compares the integrated or accumulated value to pre-trip and trip limits and generates discrete output signals when the limits are reached. The INT function block is used as a totalizer. This block will accept up to two inputs, has six options how to totalize the inputs, and two trip outputs.
- Arithmetic block** The Arithmetic (ARTH) function block provides the ability to configure a range extension function for a primary input. It can also be used to compute nine different arithmetic functions including flow with partial density compensation, electronic remote seals, hydrostatic tank gaging, ratio control, and others.
- Signal characterizer block** The Signal Characterizer (SGCR) function block characterizes or approximates any function that defines an input/output relationship. The function is defined by configuring as many as 20 X,Y coordinates. The block interpolates an output value for a given input value using the curve defined by the configured coordinates. Two separate analog input signals can be processed simultaneously to give two corresponding separate output values using the same defined curve.
- PID block** The PID function block combines all of the necessary logic to perform proportional/integral/derivative PID control. The block supports mode control, signal scaling and limiting, feed forward control, override tracking, alarm limit detection, and signal status propagation.
- Control selector block** The control selector function block selects one of two or three inputs to be the output. The inputs are normally connected to the outputs of PID or other function blocks. One of the inputs would be considered normal and the other two overrides.
- Output splitter block** The output splitter function block provides the capability to drive two control outputs from a single input. It takes the output of one PID or other control block to control two valves or other actuators.

**Backup Link Active Scheduler (LAS)**

The transmitter can function as an LAS if the current link master device fails or is removed from the segment.

**FOUNDATION Fieldbus Diagnostics Suite (option code D01)**

The Rosemount 3051C FOUNDATION Fieldbus Diagnostics Suite features SPM technology to detect changes in the process, process equipment, or installation conditions (such as plugged impulse lines) of the transmitter. This is done by modeling the process noise signature (using the statistical values of mean and standard deviation) under normal conditions and then comparing the baseline values to current values over time. If a significant change in the current values is detected, the transmitter can generate an alert.

**PROFIBUS® PA (output code W)****Profile version**

3.02

**Power supply**

External power supply required; transmitters operate on 9.0 to 32.0 Vdc transmitter terminal voltage. FISCO transmitters operate on 9.0 to 17.5 Vdc.

**Current draw**

17.5 mA for all configurations (including LCD display option)

**Output update rate**

Four times per second

**Standard function block**

**Analog input (AI block)** The AI function block processes the measurements and makes them available to the host device. The output value from the AI block is in engineering units and contains a status indicating the quality of the measurement. The AI block is widely used for scaling functionality.

**Note**

The channel, Set XD\_Scale, Set L\_Type, and sometimes Set Out\_Scale are typically configured by instrument personnel. Other AI block parameters, block links, and schedule are typically configured by the control systems configuration engineer.

**Indication**

Optional two-line LCD display

**LOI**

The LOI uses a two-button menu with external configuration buttons.

**Wireless (output code X)****Output**

IEC 62591 (*WirelessHART*®), 2.4 GHz DSSS

**Wireless radio (internal antenna, WP5 option)**

- Frequency: 2.400 – 2.485 GHz
- Channels: 15
- Modulation: IEEE 802.15.4 compliant DSSS
- Transmission: Maximum of 10 dBm EIRP

**Local display**

The optional three-line, seven-digit LCD display can display user-selectable information, such as primary variable in engineering units, scaled variable, percent of range, sensor module temperature, and electronics temperature. The display updates based on the wireless update rate.

**Digital zero trim**

Digital zero trim (option DZ) is an offset adjustment to compensate for mounting position effects, up to 5 percent of URL.

**Update rate**

User selectable 1 second to 60 minute.

**Wireless sensor module for in-line transmitters**

The Rosemount 3051 Wireless Transmitter requires the engineered polymer housing to be selected. The standard sensor module will come with aluminum material. If SST is required, you must select the option WSM.

**Power module**

Field replaceable, keyed connection eliminates the risk of incorrect installation, Intrinsically Safe Lithium-thionyl chloride Power Module with PBT/PC enclosure. Ten-year life at one minute update rate<sup>(7)</sup>.

**Note**

Continuous exposure to ambient temperature limits of -40 °F or 185 °F (-40 °C or 85 °C) may reduce specified life by less than 20 percent.

**Low power output****1–5 Vdc HART® low power (output code M)****Output**

The default three-wire 1–5 Vdc is a user-selectable output. Also user selectable for linear or square root output configuration. Digital process variable superimposed on voltage signal, available to any host conforming to the HART Protocol. Low-power transmitter operates on 6–12 Vdc with no load.

**Power consumption**

3.0 mA, 18–36 mW

**Minimum load impedance**

100 kΩ (V<sub>out</sub> wiring)

**Indication**

Optional five-digit LCD display

**Overpressure limits****Rosemount 3051CD/CG/CF**

- Range 0: 750 psi (51.71 bar)
- Range 1: 2,000 psig (137.90 bar)
- Ranges 2–5: 3,626 psig (250.00 bar), 4500 psig (310.26 bar) for option code P9

**Rosemount 3051CA**

- Range 1: 750 psia (51.71 bar)
- Range 2: 1,500 psia (103.42 bar)
- Range 3: 1,600 psia (110.32 bar)
- Range 4: 6,000 psia (413.69 bar)

(7) Reference conditions are 70 °F (21 °C), and routing data for three additional network devices.

**Rosemount 3051TG/TA**

- Range 0: 60 psi (4.14 bar)
- Range 1: 750 psi (51.71 bar)
- Range 2: 1,500 psi (103.42 bar)
- Range 3: 1,600 psi (110.32 bar)
- Range 4: 6,000 psi (413.69 bar)
- Range 5: 15,000 psi (1034.21 bar)
- Range 6: 24,000 psi (1654.74 bar)

For Rosemount 3051L or level flange option codes FA, FB, FC, FD, FP, and FQ, limit is 0 psia to the flange rating or sensor rating, whichever is lower.

**Table 4: Rosemount 3051L and Level Flange Rating Limits**

Standard	Type	CS rating	SST rating
ANSI/ASME	Class 150	285 psig	275 psig
ANSI/ASME	Class 300	740 psig	720 psig
ANSI/ASME	Class 600	1,480 psig	1,440 psig
<b>At 100 °F (38 °C), the rating decreases with increasing temperature, per ANSI/ASME B16.5.</b>			
DIN	PN 10–40	40 bar	40 bar
DIN	PN 10/16	16 bar	16 bar
DIN	PN 25/40	40 bar	40 bar
<b>At 248 °F (120 °C), the rating decreases with increasing temperature, per DIN 2401.</b>			

**Static pressure limit**

**Rosemount 3051CD only**

Operates within specifications between static line pressures of 0.5 psia and 3,626 psig (4,500 psig (310.26 bar) for option code P9).

Range 0: 0.5 psia and 750 psig (0.03 bar and 51.71 bar)

Range 1: 0.5 psia and 2,000 psig (0.03 bar and 137.90 bar)

**Burst pressure limits**

**Rosemount 3051C, 3051CF coplanar or traditional transmitter flange**

10,081 psig (695,06 bar)

**Rosemount 3051T in-line**

- Ranges 0–4: 11,016 psi (759.53 bar)
- Range 5: 26,016 psig (1,793.74 bar)
- Range 6: 46,092 psi (3,177.93 bar)

**Failure mode alarm**

**HART® 4–20 mA (output option code A)**

If self-diagnostics detect a sensor or microprocessor failure, the analog signal is driven either high or low to alert the user. High or low failure mode is user-selectable with a jumper/switch on the transmitter. The values to which the

transmitter drives its output in failure mode depend on whether it is configured to standard, NAMUR-compliant, or custom levels. The values for each are as follows:

**Table 5: Failure mode alarm**

	High alarm	Low alarm
Default	$\geq 21.75^{(1)}$ mA	$\leq 3.75$ mA
NAMUR compliant <sup>(2)</sup>	$\geq 22.5$ mA	$\leq 3.6$ mA
Custom levels <sup>(3)</sup>	20.2 – 23.0 mA	3.6 – 3.8 mA

(1) High Alarm default is  $\geq 22.5$  mA for some options (codes M6, DA1, T9, RK).

(2) See option codes C4 or CN.

(3) Low alarm must be 0.1 mA less than low saturation and high alarm must be 0.1 mA greater than high saturation.

### Output code M

If self-diagnostics detect a gross transmitter failure, the analog signal will be driven either below 0.94 V or above 5.4 V to alert the user. High or low alarm signal is user-selectable by internal jumper.

### Output code F, W, and X

If self-diagnostics detect a gross transmitter failure, that information gets passed as an alert and a status along with the process variable.

## Temperature limits

### Ambient

- -40 - +185 °F (-40 - +85 °C)
- With display<sup>(1)(2)(3)</sup>: -40 - +176 °F (-40 to +80 °C)
- With option code BR5: -58 - +185 °F (-50 - +85 °C)
- With option code BR6: -76 - +185 °F (-60 - +85 °C)

(1) LCD display may not be readable and LCD display updates will be slower at temperatures below -22 °F (-30 °C).

(2) Wireless LCD display may not be readable and LCD display updates will be slower at temperature below -4 °F (-20 °C).

(3) Graphical LCD display updates will be slower at temperatures below +32 °F (0 °C). Graphical LCD display may not be readable below -22 °F (-30 °C).

### Storage

#### Note

If storage temperature is above +185 °F (+85 °C), perform a sensor trim prior to installation.

- -76 - +230 °F (-60 - +110 °C)
- With display: -76 - +185 °F (-60 - +85 °C)
- With wireless output: -40 °F - +185 °F (-40 °C - +85 °C)

### Process

At atmospheric pressures and above. See [Table 6](#).

**Table 6: Process Connection Temperature Limits**

Rosemount 3051CD, 3051CG, 3051CF, 3051CA	
Silicone fill sensor <sup>(1)</sup>	N/A
With coplanar flange	-40 - +250 °F (-40 - +121 °C) <sup>(2)</sup>
With traditional flange	-40 - +300 °F (-40 to +149 °C) <sup>(2)(3)</sup>
With level flange	-40 - +300 °F (-40 - +149 °C) <sup>(2)</sup>

**Table 6: Process Connection Temperature Limits (continued)**

With Rosemount 305 Integral Manifold	-40 - +300 °F (-40 - +149 °C) <sup>(2)</sup>
Inert fill sensor <sup>(1)(4)</sup>	-40 - +185 °F (-40 - +85 °C) <sup>(5)(6)</sup>
With Option Code BR6, coplanar flange	-76 - +250 °F (-60 - +121 °C) <sup>(2)</sup>
With Option Code BR6, traditional flange	-75 - +300 °F (-60 - +149 °C) <sup>(2)</sup>
<b>Rosemount 3051T (process fill fluid)</b>	
Silicone fill sensor <sup>(1)</sup>	-40 - +250 °F (-40 - +121 °C) <sup>(2)</sup>
With Option Code BR6	-76 - +250 °F (-60 - +121 °C) <sup>(2)</sup>
Inert fill sensor <sup>(1)</sup>	-22 - +250 °F (-30 - +121 °C) <sup>(2)</sup>
<b>Rosemount 3051L low-side temperature limits</b>	
Silicone fill sensor <sup>(1)</sup>	-40 - +250 °F (-40 - +121 °C) <sup>(2)</sup>
Inert fill sensor <sup>(1)</sup>	-40 - +185 °F (-40 - +85 °C) <sup>(5)</sup>
<b>Rosemount 3051L high-side temperature limits (process fill fluid)</b>	
SYLTherm XLT	-157 - +293 °F (-105 - +145 °C)
Silicone 704	+32 - +401 °F (0 - +205 °C)
Silicone 200	-49 - +401 °F (-45 - +205 °C)
Inert	-49 - +320 °F (-45 - +160 °C)
Glycerin and water	+5 - +203 °F (-15 - +95 °C)
Neobee M-20	+5 - +401 °F (-15 - +205 °C)
Propylene glycol and water	+5 - +203 °F (-15 - +95 °C)

- (1) Process temperatures above +185 °F (+85 °C) require derating the ambient limits by a 1.5:1 ratio.  
(2) +220 °F (+104 °C) limit in vacuum service; +130 °F (+54 °C) for pressures below 0.5 psia.  
(3) Rosemount 3051CD0 process temperature limits are -40 - +212 °F (-40 - +100 °C).  
(4) Inert fill with traditional flange on Range 0: limits are +32 - +185 °F (0 - +85 °C).  
(5) +160 °F (+71 °C) limit in vacuum service.  
(6) Not available for Rosemount 3051CA.

## Humidity limits

0-100 percent relative humidity

## Turn-on time

Performance within specifications less than 2.0 seconds (20.0 seconds for PROFIBUS® PA and FOUNDATION™ Fieldbus Protocols) after power is applied to the transmitter.

### Note

Does not apply to wireless option code X.

## Volumetric displacement

Less than 0.005 inch<sup>3</sup> (0.08 cm<sup>3</sup>)

## Damping

### 4-20 mA HART®

Analog output response to a step input change is user-enterable from 0.0 to 60 seconds for one time constant. This software damping is in addition to sensor module response time.

**FOUNDATION™ Fieldbus**

- Transducer block: User configurable
- AI Block: User configurable

**PROFIBUS® PA**

AI Block only: User configurable

## Physical specifications

### Material selection

Emerson provides a variety of Rosemount products with various product options and configurations including materials of construction that can be expected to perform well in a wide range of applications. The Rosemount product information presented is intended as a guide for the purchaser to make an appropriate selection for the application. It is the purchaser's sole responsibility to make a careful analysis of all process parameters (such as all chemical components, temperature, pressure, flow rate, abrasives, contaminants, etc.), when specifying product materials, options, and components for the particular application. Emerson is not in a position to evaluate or guarantee the compatibility of the process fluid or other process parameters with the product options, configuration, or materials of construction selected.

### Electrical connections

½-14 NPT, G½, and M20 x 1.5 conduit. The polymer housing (code P) has no conduit entries. HART® interface connections fixed to terminal block for output code A and to 701P Power Module for output code X.

### Process connections

**Rosemount 3051C**

- ¼-18 NPT on 2⅞-inch centers
- ½-14 NPT on 2-, 2⅞-, or 2¼-inch centers

**Rosemount 3051L**

- High pressure side: 2-, 3-, or 4-inch, ASME B 16.5 (ANSI) Class 150, 300 or 600 flange; 50, 80, or 100 mm, PN 40 or 10/16 flange
- Low pressure side: ¼-18 NPT on flange ½-14 NPT on adapter

**Rosemount 3051T**

- ½-14 NPT female
- G½ A DIN 16288 male (range 1-4 only)
- Autoclave type F-250-C (pressure relieved 9/16-18 gland thread; ¼ OD high pressure tube 60° cone; available for range 5-6 transmitters only).

**Rosemount 3051CF**

- For Rosemount 3051CFA, see [Rosemount DP Flow Meters and Primary Elements Product Data Sheet](#) in the Rosemount 485 Annubar section .
- For Rosemount 3051CFC, see [Rosemount DP Flow Meters and Primary Elements Product Data Sheet](#) in the Rosemount 405 Compact Orifice Plate section.
- For Rosemount 3051CFP, see [Rosemount DP Flow Meters and Primary Elements Product Data Sheet](#) in the Rosemount 1195 Integral Orifice section.

## Transmitter process-wetted parts

### Drain/vent valves

316 SST, alloy C-276, or alloy 400 material (alloy 400 not available with Rosemount 3051L).

### Transmitter flanges and adapters

- Plated CS
- SST: CF-8M (Cast 316 SST) per ASTM A743
- Cast C-276: CW-12MW per ASTM A494
- Cast Alloy 400: M-30C per ASTM A494
  - Traditional Flange and Adapters: Cast Alloy 400: M-30C per ASTM A494
  - Coplanar Flange: Alloy 400 or 405: ASTM B164 or ASTM B164 or ASTM B127 - N04400 or N04405

### Wetted O-rings

Glass-filled PTFE or graphite-filled PTFE

### Process isolating diaphragms

Isolating diaphragm material	3051CD, 3051CG	3051T	3051CA
316L SST (UNS S31603)	•	•	•
Alloy C-276 (UNS N10276)	•	•	•
Alloy 400 (UNS N04400)	•	N/A	•
Tantalum (UNS R05440)	•	N/A	N/A
Gold-plated alloy 400 (UNS N04400)	•	N/A	•
Gold-plated 316L SST	•	•	•

### Rosemount 3051L process wetted parts

Flanged process connection (transmitter high side)

- Process diaphragms, including process gasket surface**      316L SST, Alloy C-276, or Tantalum
- Extension**      CF-3M (Cast version of 316L SST, material per ASTM-A743), or Alloy C-276. Fits schedule 40 and 80 pipe.
- Mounting flange**      Zinc-cobalt plated CS or SST

Reference process connection (transmitter low side)

- Isolating diaphragms**      316L SST or Alloy C-276
- Reference flange and adapter**      CF-8M (cast version of 316 SST, material per ASTM-A743)

## Non-wetted parts

### Electronics housing

Low-copper aluminum or CF-8M (cast version of 316 SST)  
 Enclosure type 4X, IP65, IP66, IP68  
 Housing material code P: PBT/PC with NEMA 4X and IP66/67/68

### Coplanar sensor housing module

SST: CF-3M (Cast 316L SST)

**Bolts**

- Plated CS per ASTM A449, Type 1
- Austenitic 316 SST per ASTM F593
- ASTM A193, Grade B7M alloy steel
- Alloy K-500

**Sensor module fill fluid**

- Coplanar: silicone or inert halocarbon  
In-line: silicone or inert halocarbon

**Process fill fluid (Rosemount 3051L only)**

Syltherm XLT, Silicone 704, Silicone 200, inert, glycerin and water, Neobee M-20, or propylene glycol and water

**Paint**

Polyurethane

**Cover O-rings**

- Buna-N
- Silicone (for wireless option code X)

**Power module**

Field replaceable, keyed connection eliminates the risk of incorrect installation, Intrinsically Safe lithium-thionyl chloride power module with PBT enclosure.

**Shipping weights**

**Note**

Transmitter weights include the sensor module and housing only (aluminum for Rosemount 3051 and polymer for wireless).

**Table 7: Transmitter Weights without Options**

Rosemount transmitter	Rosemount 3051 in lb. (kg)	Wireless in lb. (kg)
3051C	6.0 (2.7)	3.9 (1.8)
3051T	3.0 (1.4)	1.9 (0.86)
3051L	<a href="#">Table 8</a>	<a href="#">Table 8</a>

**Table 8: Rosemount 3051L Weights without Options**

Flange	Flush lb. (kg)	2-in. extention lb. (kg)	4-in. extension lb. (kg)	6-in. extension lb. (kg)
2-inch, Class 150	12.5 (5.7)	N/A	N/A	N/A
3-inch, Class 150	17.5 (7.9)	19.5 (8.8)	20.5 (9.3)	21.5 (9.7)
4-inch, Class 150	23.5 (10.7)	26.5 (12.0)	28.5 (12.9)	30.5 (13.8)
2-inch, Class 300	17.5 (7.9)	N/A	N/A	N/A
3-inch, Class 300	22.5 (10.2)	24.5 (11.1)	25.5 (11.6)	26.5 (12.0)
4-inch, Class 300	32.5 (14.7)	35.5 (16.1)	37.5 (17.0)	39.5 (17.9)
2-inch, Class 600	15.3 (6.9)	N/A	N/A	N/A
3-inch, Class 600	25.2 (11.4)	27.2 (12.3)	28.2 (12.8)	29.2 (13.2)
DN 50/ PN 40	13.8 (6.2)	N/A	N/A	N/A

**Table 8: Rosemount 3051L Weights without Options (continued)**

Flange	Flush lb. (kg)	2-in. extension lb. (kg)	4-in. extension lb. (kg)	6-in. extension lb. (kg)
DN 80/ PN 40	19.5 (8.8)	21.5 (9.7)	22.5 (10.2)	23.5 (10.6)
DN 100/ PN 10/16	17.8 (8.1)	19.8 (9.0)	20.8 (9.5)	21.8 (9.9)
DN 100/ PN 40	23.2 (10.5)	25.2 (11.5)	26.2 (11.9)	27.2 (12.3)

**Table 9: Transmitter Option Weights**

Code	Option	Additional lb. (kg)
J, K, L, M	SST housing (T)	3.9 (1.8)
J, K, L, M	SST housing (C, L, H, P)	3.1 (1.4)
M4/M5/M6	Display for wired transmitter	0.5 (0.2)
M5	LCD display for wireless output	0.1 (0.04)
B4, BE	SST mounting bracket for coplanar flange	1.0 (0.5)
B1, B2, B3	Mounting bracket for traditional flange	2.3 (1.0)
B7, B8, B9	Mounting bracket for traditional flange	2.3 (1.0)
BA, BC	SST bracket for traditional flange	2.3 (1.0)
H2	Traditional flange	2.4 (1.1)
H3	Traditional flange	2.7 (1.2)
H4	Traditional flange	2.6 (1.2)
H7	Traditional flange	2.5 (1.1)
FC	Level flange — 3 inch, 150	10.8 (4.9)
FD	Level flange — 3 inch, 300	14.3 (6.5)
FA	Level flange — 2 inch, 150	10.7 (4.8)
FB	Level flange — 2 inch, 300	14.0 (6.3)
FP	DIN level flange, SST, DN 50, PN 40	8.3 (3.8)
FQ	DIN level flange, SST, DN 80, PN 40	13.7 (6.2)
WSM	SST sensor module	1.0 (0.45)
N/A	Power module (701PGNKF)	0.4 (0.18)

## Rosemount 3051 product certifications

See the Rosemount 3051 Quick Start Guides for detailed information on the existing approvals and certifications.

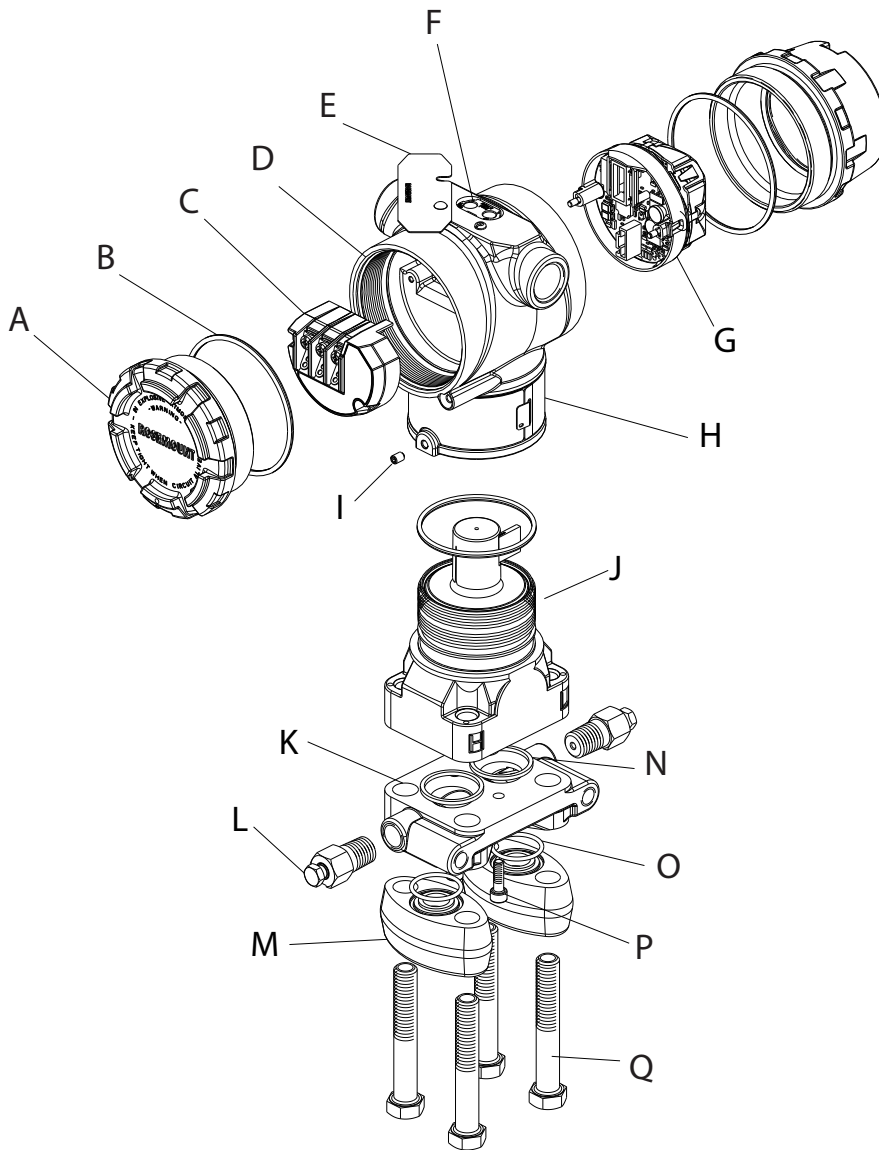
Product approval information	Links
Rosemount 3051 Pressure Transmitter and 3051CF Series Flow Meter with 4-20 mA HART® Protocol	<a href="#">Link</a>
Rosemount 3051 Pressure Transmitter and 3051CF Series Flow Meter with FOUNDATION™ Fieldbus Protocol	<a href="#">Link</a>
Rosemount 3051 Pressure Transmitter and 3051CF Series Flow Meter with Profibus-PA Protocol	<a href="#">Link</a>
Rosemount 3051 Pressure Transmitter and 3051CF Series Flow Meter with 1-5 VDC Low Power	<a href="#">Link</a>
Rosemount 3051 Pressure Transmitter and Rosemount 3051CF Series Flow Meter with <i>Wireless</i> HART® Protocol	<a href="#">Link</a>

# Dimensional drawings

**Note**

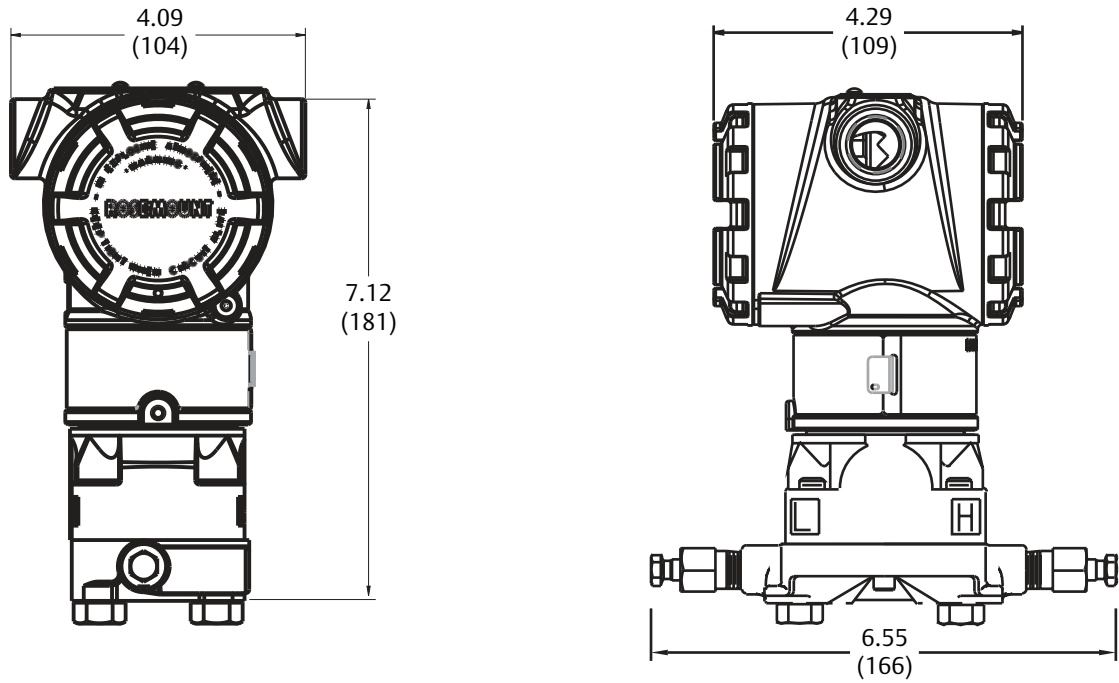
This section contains dimensional drawings for output codes A, F and X. For output codes W and M, visit [Emerson.com/en-us/support](http://Emerson.com/en-us/support).

**Figure 7: Rosemount 3051C Exploded View**



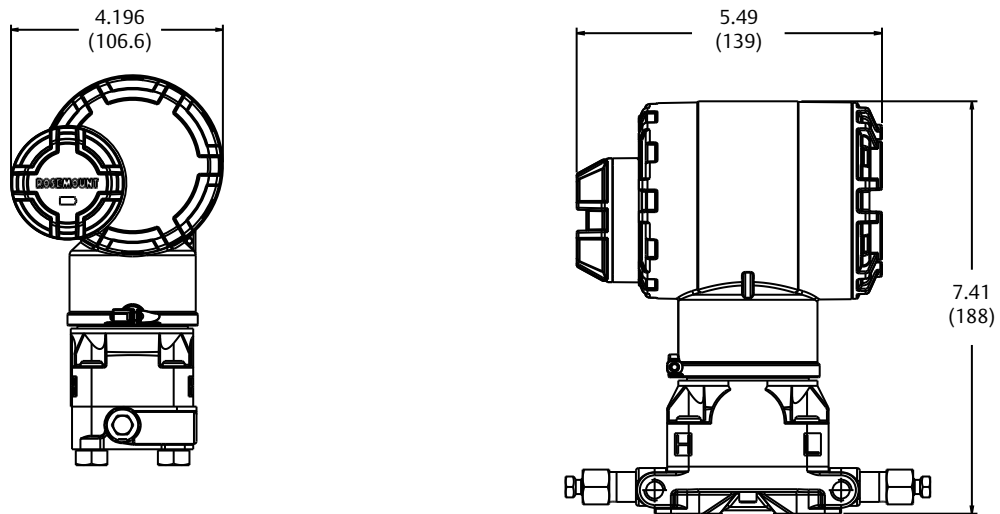
- |                                |   |  |
|--------------------------------|---|--|
| A. Cover                       | G. Electronics board  | L. Drain/vent valve                                |
| B. Cover O-ring                | H. Name plate   | M. Flange adapters                                 |
| C. Terminal block              | I. Housing rotation set screw (180 degree maximum rotation without further disassembly) | N. Process O-ring                                  |
| D. Electronics housing         | J. Sensor module  | O. Flange adapter O-ring                           |
| E. Configuration buttons cover | K. Coplanar flange  | P. Flange alignment screw (not pressure retaining) |
| F. Local configuration buttons |   | Q. Flange bolts                                    |

Figure 8: Rosemount 3051C Coplanar Flange



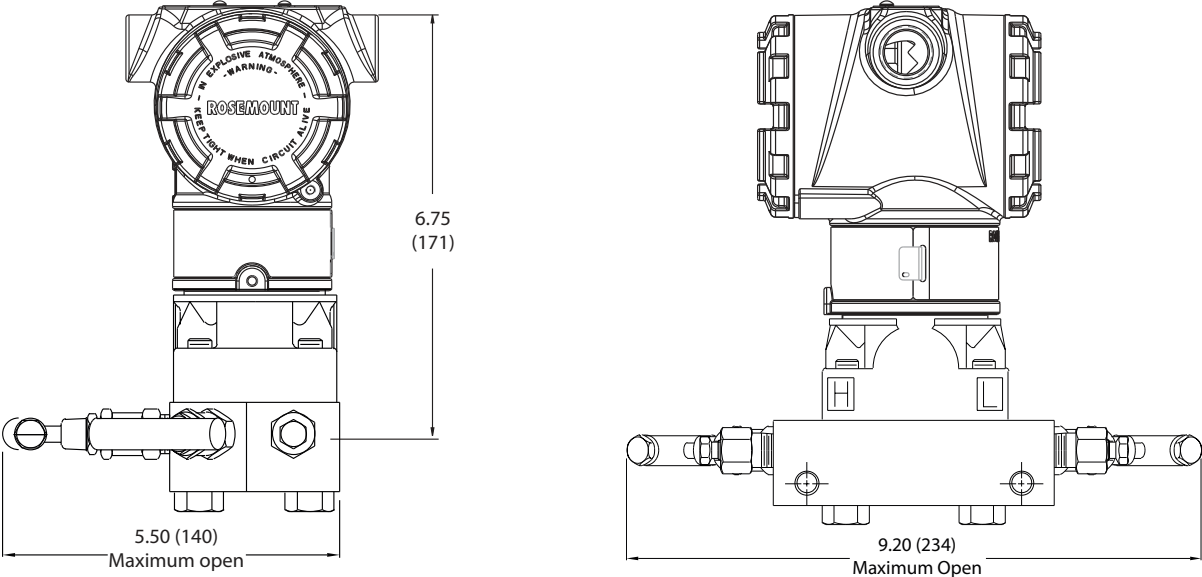
Dimensions are in inches (millimeters).

Figure 9: Rosemount 3051 Wireless Housing with Coplanar Flange



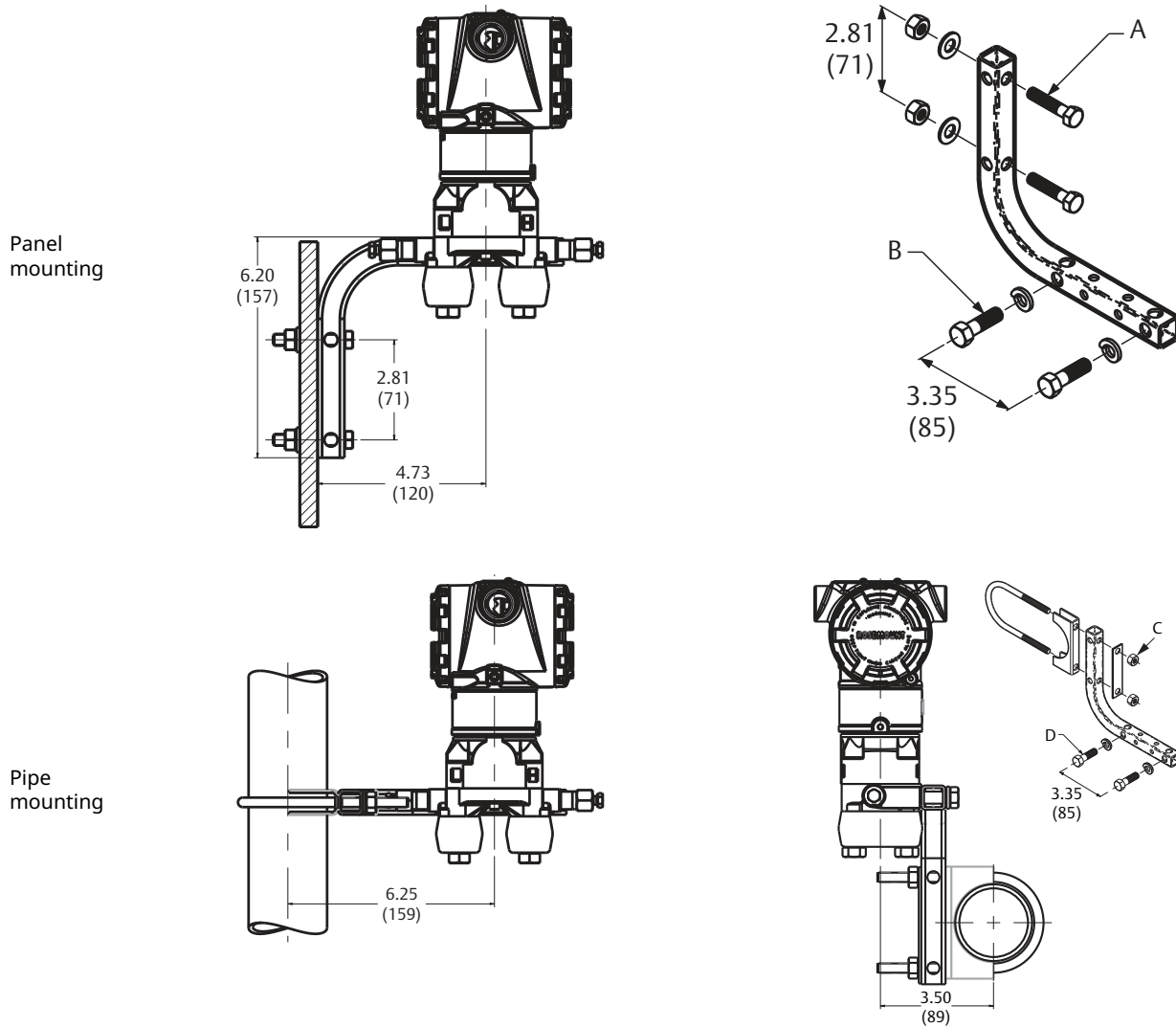
Dimensions are in inches (millimeters).

Figure 10: Rosemount 3051C Coplanar Flange with Rosemount 305RC3 3-Valve Coplanar Integral Manifold



Dimensions are in inches (millimeters).

Figure 11: Coplanar Flange Mounting Configurations with Optional Bracket (B4) for 2-in. Pipe or Panel Mounting



A. 5/16-18 bolts (not supplied)

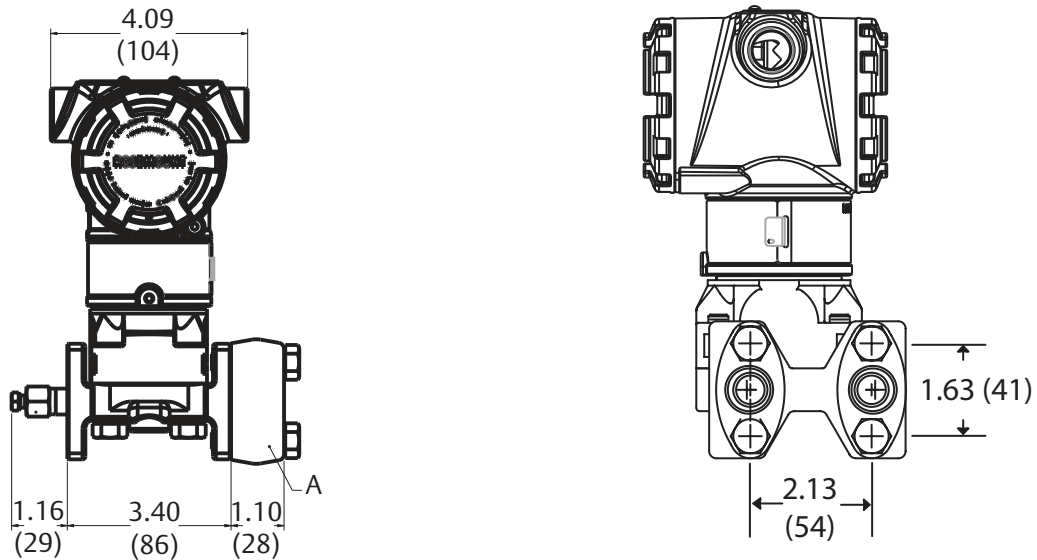
B. 3/8-16 bolts

C. 2-in. U-bolt

D. 3/8-16 bolts

Dimensions are in inches (millimeters).

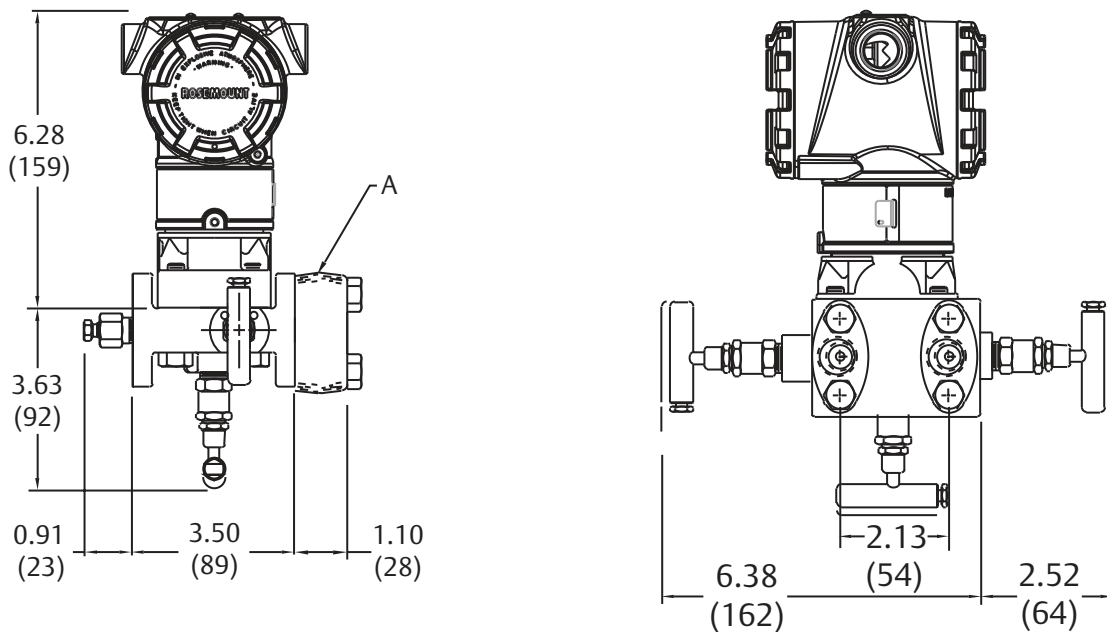
Figure 12: Rosemount 3051C Coplanar with Traditional Flange



A. Flange adapters (optional)

Dimensions are in inches (millimeters).

Figure 13: Rosemount 3051C Coplanar with Rosemount 305RT3 3-Valve Traditional Integral Manifold

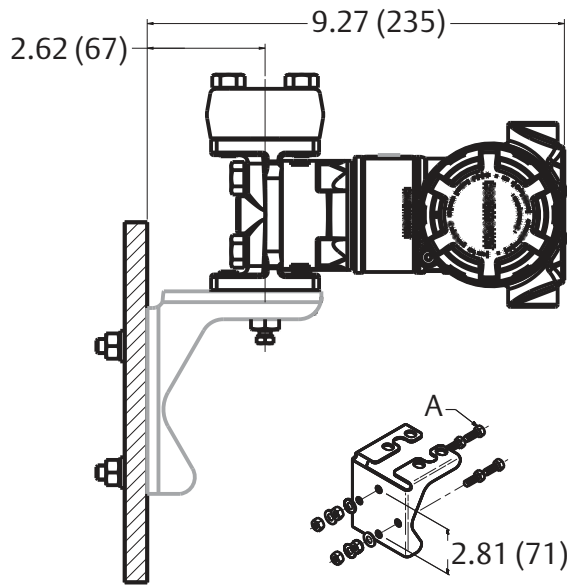


A. 1/2-14 NPT flange adapter (optional)

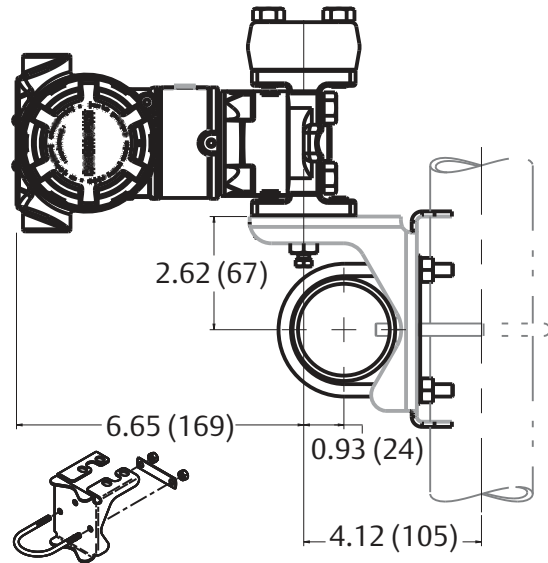
Dimensions are in inches (millimeters).

Figure 14: Traditional Flange Mounting Configurations with Optional Brackets for 2-in. Pipe or Panel Mounting

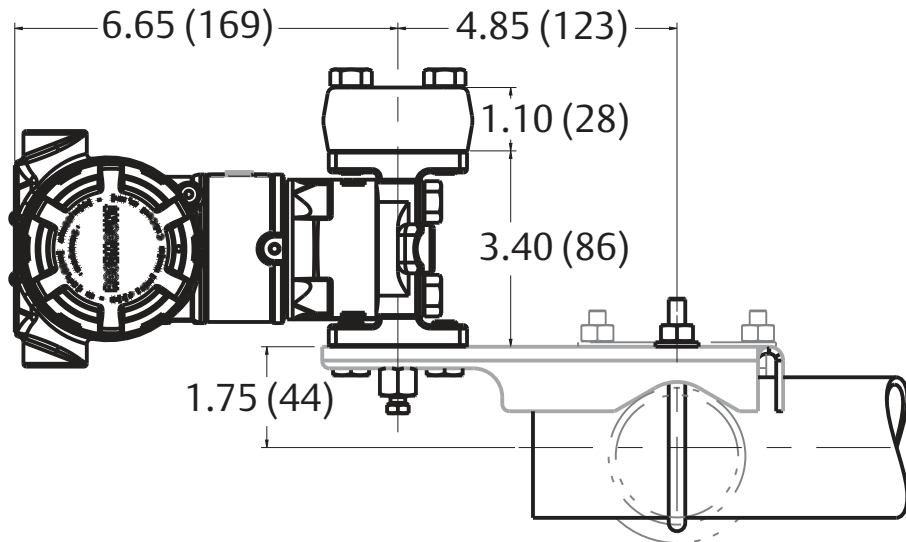
Panel mounting bracket (option B2/B8)



Pipe mounting bracket (option B1/B7/BA)



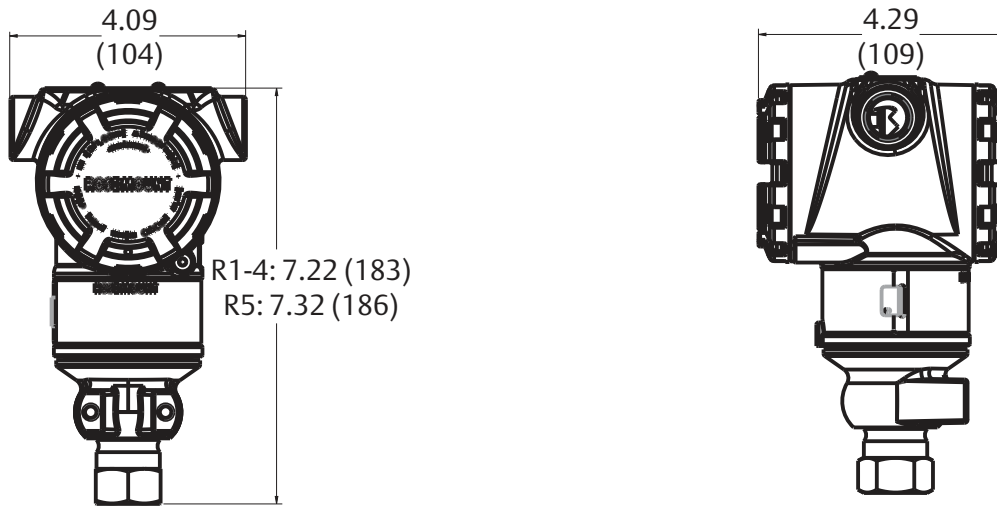
Pipe mounting bracket (option B3/B9/BC)



A. 5/16-18 bolts (not supplied)

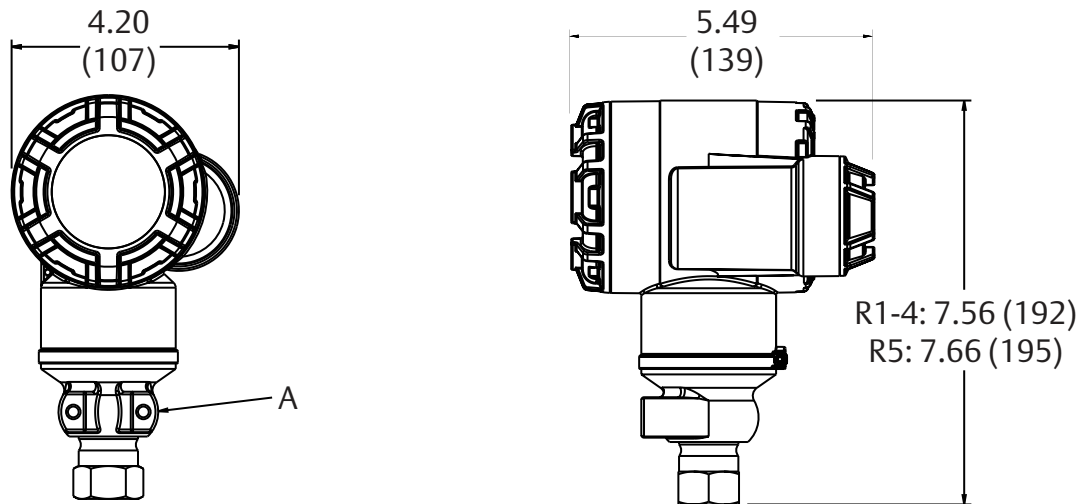
Dimensions are in inches (millimeters).

Figure 15: Rosemount 3051T



Dimensions are in inches (millimeters).

Figure 16: Rosemount 3051T Wireless Housing

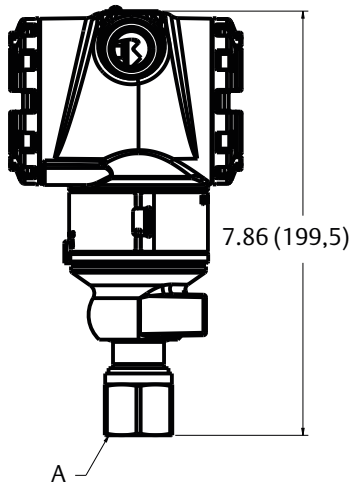


A. U-Bolt bracket

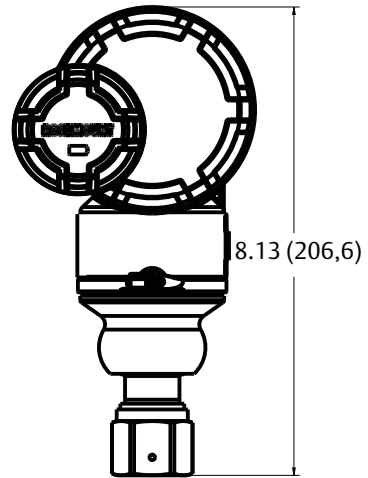
Dimensions are in inches (millimeters).

**Figure 17: Rosemount 3051T In-Line Range 6**

In-line



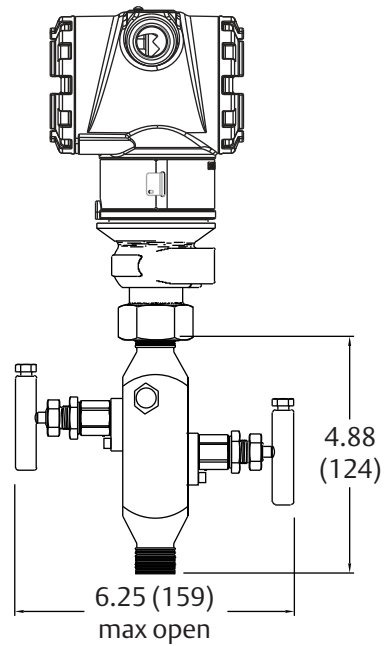
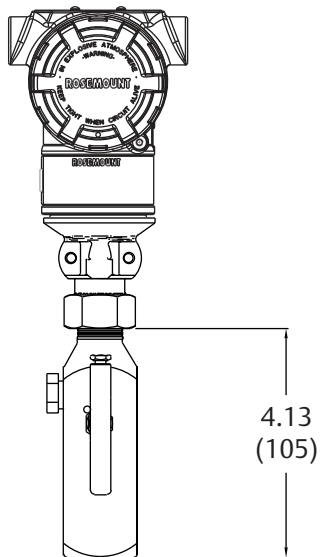
Wireless in-line



A. Autoclave type F-250-C

Dimensions are in inches (millimeters).

**Figure 18: Rosemount 3051T with Rosemount 306 2-Valve Integral Manifold**

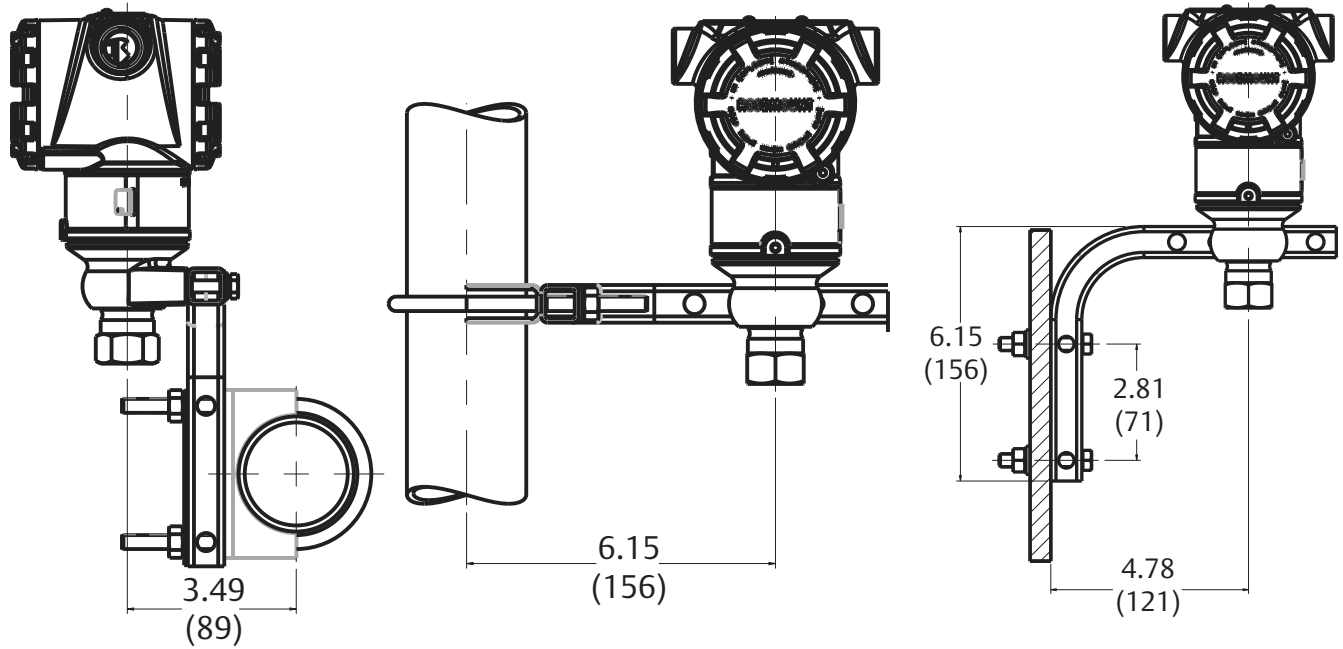


Dimensions are in inches (millimeters).

Figure 19: Rosemount 3051T Typical Mounting Configurations with Optional Mounting Bracket

Pipe mounting

Panel mounting



Dimensions are in inches (millimeters).

**Figure 20: Rosemount 3051CFA Pak-Lok Annubar Flow meter**

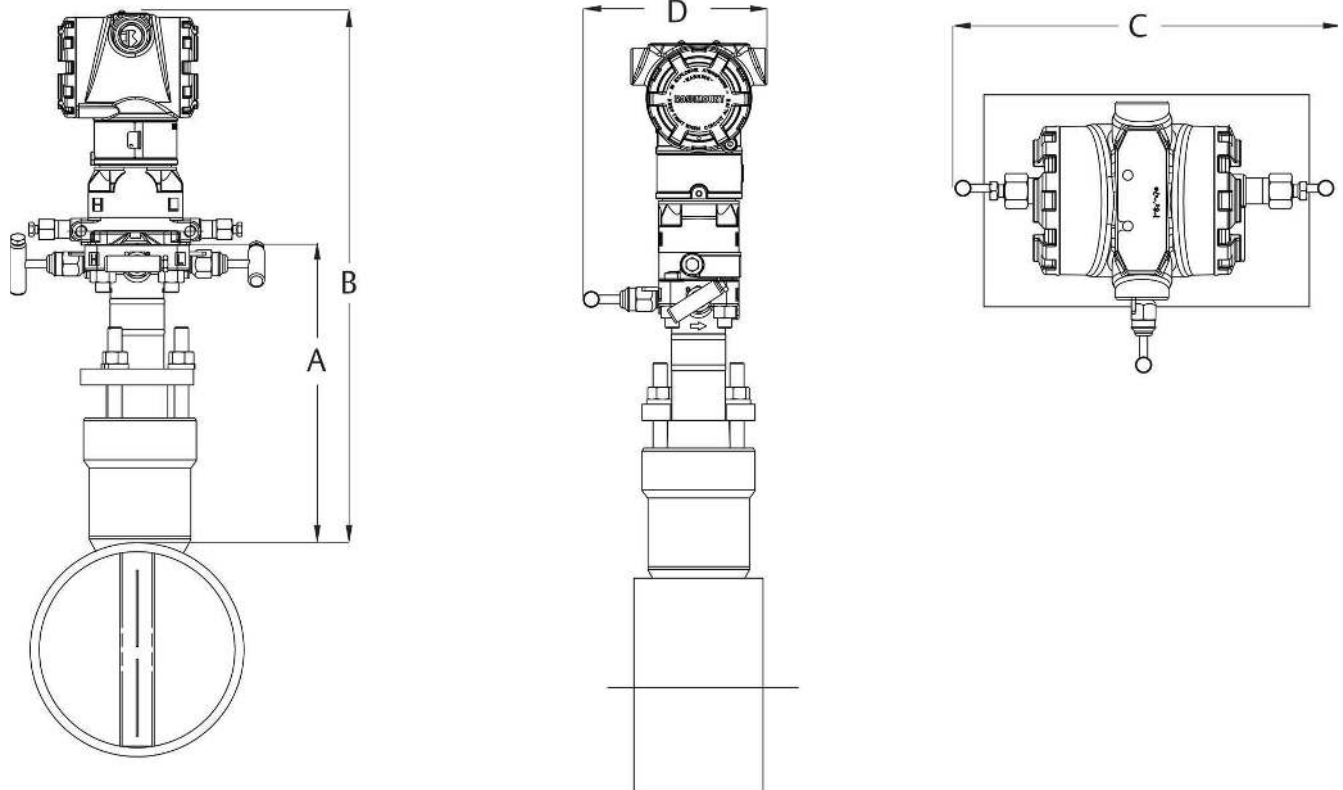
**Note**

The Pak-Lok Annubar™ model is available up to ASME B16.5 Class 600 rating (1440 psig at 100 °F [99 bar at 38 °C]).

Front View

Side View

Top View

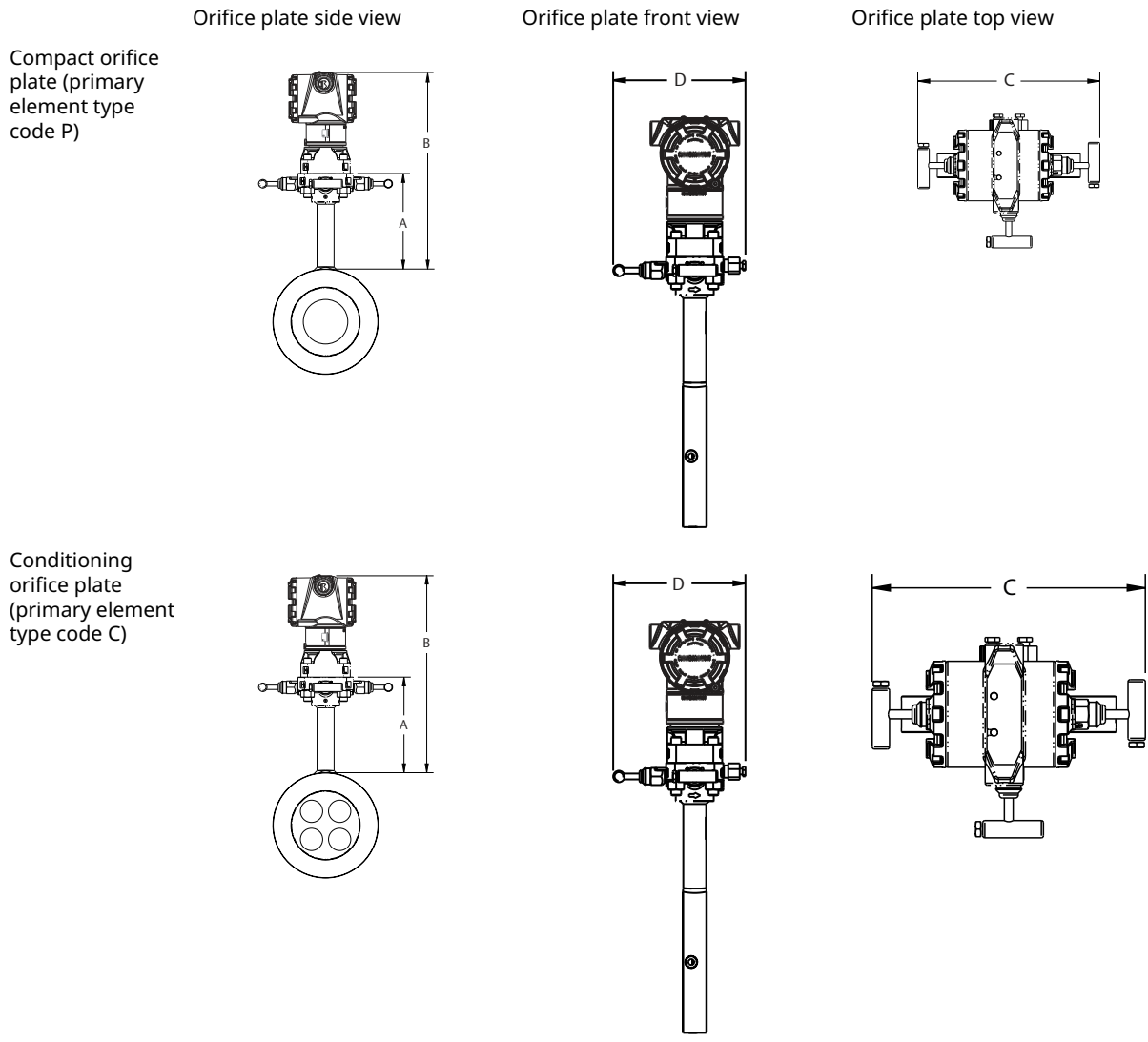


**Table 10: Rosemount 3051CFA Pak-Lok Annubar Flow meter Dimensional Data (Maximum Dimensions)**

Sensor size	A	B	C	D
1	8.50 (215.9)	15.60 (396.9)	9.00 (228.6)	6.00 (152.4)
2	11.00 (279.4)	18.10 (460.4)	9.00 (228.6)	6.00 (152.4)
3	12.00 (304.8)	19.10 (485.8)	9.00 (228.6)	6.00 (152.4)

Dimensions are in inches (millimeters).

Figure 21: Rosemount 3051CFC Compact Orifice Flow meter

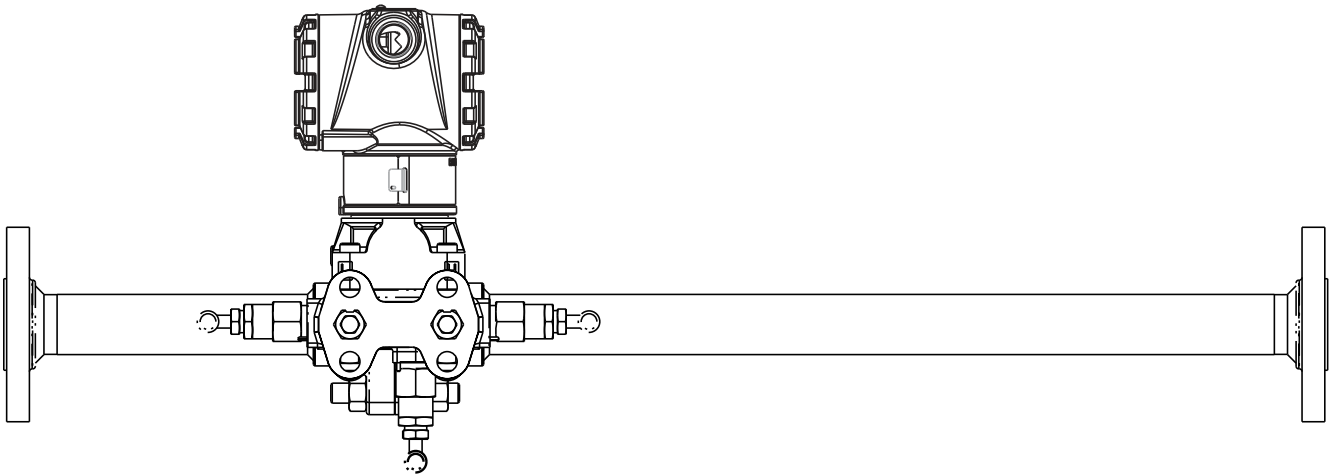


Primary element type	A	B	Transmitter height	C	D
Type P and C	5.62 (143)	Transmitter height + A	6.27 (159)	7.75 (197) - closed 8.25 (210) - open	6.00 (152) - closed 6.25 (159) - open

Dimensions are in inches (millimeters).

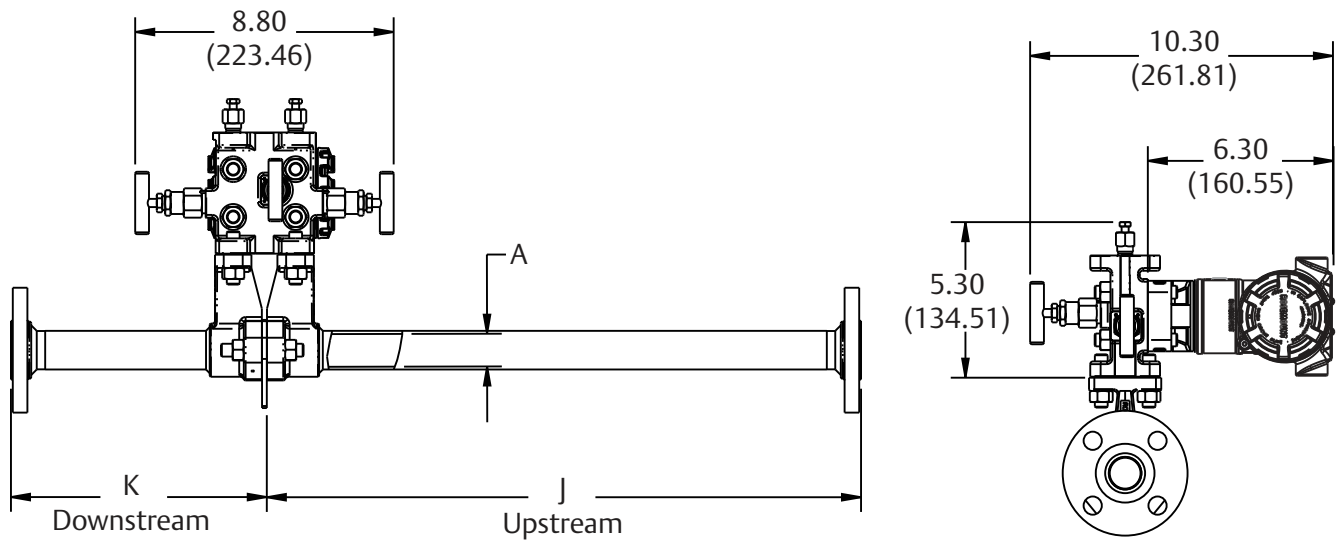
Figure 22: Rosemount 3051CFP Integral Orifice Flow meter

Side view



Bottom view

Front view



A. B.D. (bore diameter)

Dimensions are in inches (millimeters).

Dimension	Line size		
	½ in. (15 mm)	1 in. (25 mm)	1½ in. (40 mm)
J (Beveled/threaded pipe ends)	12.54 (318.4)	20.24 (514.0)	28.44 (722.4)
J (RF slip-on, RTJ slip-on, RF-DIN slip on)	12.62 (320.4)	20.32 (516.0)	28.52 (724.4)
J (RF Class 150, weld neck)	14.37 (364.9)	22.37 (568.1)	30.82 (782.9)
J (RF Class 300, weld neck)	14.56 (369.8)	22.63 (574.7)	31.06 (789.0)
J (RF Class 600, weld neck)	14.81 (376.0)	22.88 (581.0)	31.38 (797.1)
K (Beveled/threaded pipe ends)	5.74 (145.7)	8.75 (222.2)	11.91 (302.6)

Dimension	Line size		
	½ in. (15 mm)	1 in. (25 mm)	1½ in. (40 mm)
K (RF slip-on, RTJ slip-on, RF-DIN slip on) <sup>(1)</sup>	5.82 (147.8)	8.83 (224.2)	11.99 (304.6)
K (RF Class 150, weld neck)	7.57 (192.3)	10.88 (276.3)	14.29 (363.1)
K (RF Class 300, weld neck)	7.76 (197.1)	11.14 (282.9)	14.53 (369.2)
K (RF Class 600, weld neck)	8.01 (203.4)	11.39 (289.2)	14.85 (377.2)
B.D. (Bore diameter)	0.664 (16.87)	1.097 (27.86)	1.567 (39.80)
Dimensions are in inches (millimeters).			

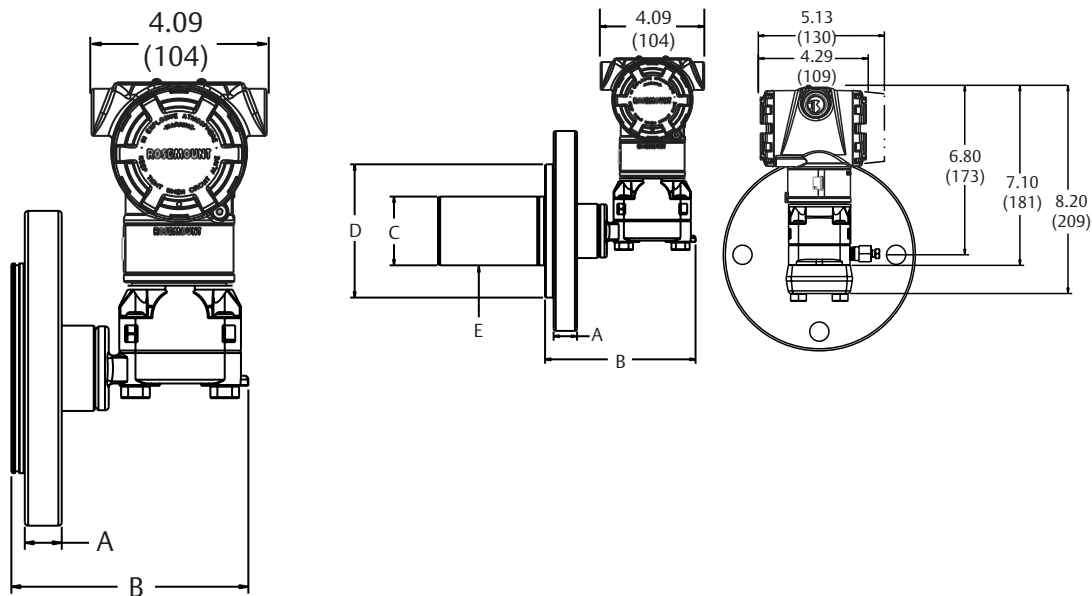
(1) Downstream length shown here includes plate thickness of 0.162-in. (4.11 mm).

**Figure 23: Rosemount 3051L Configurations**

2-inch flange Configuration (flush mount only)

3- and 4-inch flange configuration

Diaphragm assembly and mounting flange



E. 2-, 4-, or 6-in. extension (only available with 3- and 4-in., DN80, and DN100 flange configurations)

**Table 11: Rosemount 3051L Dimensional Specifications**

Class <sup>(1)</sup>	Pipe size	Flange thickness A	B	Extension diameter <sup>(1)</sup> C	O.D. gasket surface D
ASME B16.5 (ANSI) 150	2 (51)	0.69 (18)	5.65 (143)	N/A	3.6 (92)
	3 (76)	0.88 (22)	5.65 (143)	2.58 (66)	5.0 (127)
	4 (102)	0.88 (22)	5.65 (143)	3.5 (89)	6.2 (158)
ASME B16.5 (ANSI) 300	2 (51)	0.82 (21)	5.65 (143)	N/A	3.6 (92)
	3 (76)	1.06 (27)	5.65 (143)	2.58 (66)	5.0 (127)
	4 (102)	1.19 (30)	5.65 (143)	3.5 (89)	6.2 (158)
ASME B16.5 (ANSI) 600	2 (51)	1.00 (25)	7.65 (194)	N/A	3.6 (92)

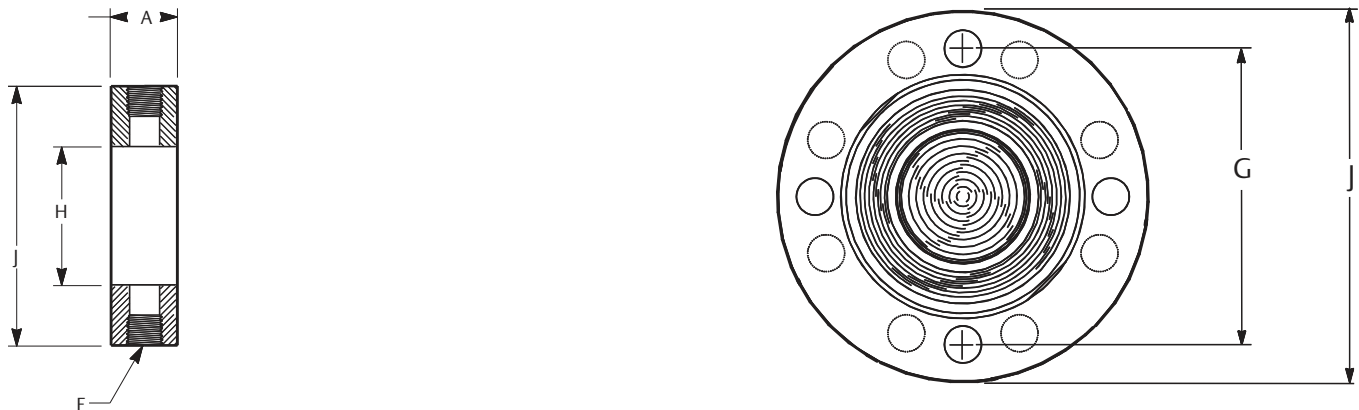
**Table 11: Rosemount 3051L Dimensional Specifications (continued)**

Class <sup>(1)</sup>	Pipe size	Flange thickness A	B	Extension diameter <sup>(1)</sup> C	O.D. gasket surface D
	3 (76)	1.25 (32)	7.65 (194)	2.58 (66)	5.0 (127)
DIN 2501 PN 10-40	DN 50	0.79 (20)	5.65 (143)	N/A	4.0 (102)
DIN 2501 PN 25/40	DN 80	0.94 (24)	5.65 (143)	2.6 (66)	5.4 (138)
	DN 100	0.94 (24)	5.65 (143)	3.5 (89)	6.2 (158)
DIN 2501 PN 10/16	DN 100	0.79 (20)	5.65 (143)	3.5 (89)	6.2 (158)

Dimensions are in inches (millimeters).

(1) Tolerances are 0.040 (1.02), - 0.020 (0.51).

**Figure 24: Optional Flushing Connection Ring (Lower Housing) for Rosemount 3051L**



Class <sup>(1)</sup>	Pipe size	Flange thickness A	Lower housing F		Bolt circle diameter G	Num ber of bolts	Bolt hole diameter	Process side H	Outside diameter J
			¼-inch NPT	½ -inch NPT					
ASME B16.5 (ANSI) 150	2 (51)	0.69 (18)	0.97 (25)	1.31 (33)	4.75 (121)	4	0.75 (19)	2.12 (54)	6.0 (152)
	3 (76)	0.88 (22)	0.97 (25)	1.31 (33)	6.0 (152)	4	0.75 (19)	3.60 (91)	7.5 (191)
	4 (102)	0.88 (22)	0.97 (25)	1.31 (33)	7.5 (191)	8	0.75 (19)	3.60 (91)	9.0 (229)
ASME B16.5 (ANSI) 300	2 (51)	0.82 (21)	0.97 (25)	1.31 (33)	5.0 (127)	8	0.75 (19)	2.12 (54)	6.5 (165)
	3 (76)	1.06 (27)	0.97 (25)	1.31 (33)	6.62 (168)	8	0.88 (22)	3.60 (91)	8.25 (210)
	4 (102)	1.19 (30)	0.97 (25)	1.31 (33)	7.88 (200)	8	0.88 (22)	3.60 (91)	10.0 (254)
ASME B16.5 (ANSI) 600	2 (51)	1.00 (25)	0.97 (25)	1.31 (33)	5.0 (127)	8	0.75 (19)	2.12 (54)	6.5 (165)
	3 (76)	1.25 (32)	0.97 (25)	1.31 (33)	6.62 (168)	8	0.88 (22)	3.60 (91)	8.25 (210)
DIN 2501 PN 10-40	DN 50	0.79 (20)	0.97 (25)	1.31 (33)	4.92 (125)	4	0.71 (18)	2.40 (61)	6.5 (165)
DIN 2501 PN 25/40	DN 80	0.94 (24)	0.97 (25)	1.31 (33)	6.3 (160)	8	0.71 (18)	3.60 (91)	7.87 (200)
	DN 100	0.94 (24)	0.97 (25)	1.31 (33)	7.48 (190)	8	0.88 (22)	3.60 (91)	9.25 (235)
DIN 2501 PN 10/16	DN 100	0.79 (20)	0.97 (25)	1.31 (33)	7.09 (180)	8	0.71 (18)	3.60 (91)	8.66 (220)

# Options

## Standard configuration

Unless otherwise specified, transmitter is shipped as follows:

Engineering units	Setting
Differential/Gage	inH <sub>2</sub> O at 68 °F (Range 0, 1, 2, and 3)
Absolute/Rosemount 3051TA/3051TG	psi (all ranges)
4 mA <sup>(1)</sup>	0 (engineering units above)
20 mA <sup>(1)</sup>	Upper range limit
Output - Transfer function	Linear
External buttons	None
Flange type	Specified model code option
Flange material	Specified model code option
O-ring material	Specified model code option
Drain/vent	Specified model code option
Display	None
Alarm <sup>(1)</sup>	High
Software tag	(Blank)
Damping	0.4 seconds <sup>(2)</sup>

(1) *Not applicable to FOUNDATION Fieldbus, PROFIBUS PA, or wireless.*

(2) *For Fieldbus Protocols, default damping is one second.*

## Display default settings

Unless otherwise specified, transmitter is shipped as follows when a display is ordered:

**Table 12: Graphical LCD Display (Code M6)**

Language	English
Backlight	On
Decimal digit precision	Automatic
GP/AP unit label	Disable
Decimal separator	Period
Bluetooth <sup>®(1)</sup>	Enable
Display parameters	Pressure

(1) *Bluetooth Configuration and Maintenance (Code BLE) only.*

## Custom configuration

### Note

Not applicable to WirelessHART<sup>®</sup>, Low-power, FOUNDATION Fieldbus or PROFIBUS PA Protocols.

If option code C1 is ordered, the customer may specify the following data in addition to the standard configuration parameters.

- Transmitter information
- Output information
- Display parameters
- Graphical LCD display settings
- Process variable output assignments
- Security information
- Custom alarm and saturation signal levels
- Process Alerts
- Application Specific Configuration

Refer to the Rosemount 3051 [Configuration Data Sheet](#) for Rosemount 3051 HART® Protocol.

For Wireless, refer to the Rosemount 3051 Wireless [Configuration Data Sheet](#).

## Tagging (three options available)

- Standard SST hardware tag is stamped on the transmitter, 56 characters maximum.
- Tag may be wired to the transmitter upon request. Tag character height is 0.125 in. (3.18 mm), 56 characters maximum.
- Tag may be stored in transmitter memory, 32 characters maximum.

### Commissioning tag

**Note**

Only applicable to FOUNDATION Fieldbus.

A temporary commissioning tag is attached to all transmitters. The tag indicates the device ID and allows an area for writing the location.

### Optional Rosemount 304, 305, or 306 Integral Manifolds

Factory assembled to Rosemount 3051C and 3051T transmitters. Refer to the following [Product Data Sheet](#) for Rosemount 304, 305, and 306 for additional information.

### Other seals

Refer to Rosemount DP Level Transmitters and Diaphragm Seal System [Product Data Sheet](#) for additional information.

### Output information

Output range points must be the same unit of measure. Available units of measure include:

Pressure			
inH <sub>2</sub> O (68 °F)	mbar	inH <sub>2</sub> O (60 °F) <sup>(1)</sup>	ftH <sub>2</sub> O (4 °C) <a href="#">Tagging (three options available)</a>
inHg (0 °C)	g/cm <sup>2</sup>	cmH <sub>2</sub> O (4 °C) <a href="#">Tagging (three options available)</a>	ftH <sub>2</sub> O (60 °F) <a href="#">Tagging (three options available)</a>
ftH <sub>2</sub> O (68 °F)	kg/cm <sup>2</sup>	mH <sub>2</sub> O (4 °C) <a href="#">Tagging (three options available)</a>	mHg (0 °C) <a href="#">Tagging (three options available)</a>
mmH <sub>2</sub> O (68 °F)	Pa	cmHg (0 °C) <a href="#">Tagging (three options available)</a>	MPa(1)

mmHg (0 °C)	kPa	lb/ft <sup>2</sup>	inH <sub>2</sub> O (4 °C) <a href="#">Tagging (three options available)</a>
psi	Torr	hPa <a href="#">Tagging (three options available)</a>	mmH <sub>2</sub> O (4 °C) <a href="#">Tagging (three options available)</a>
bar	atm	kg/m <sup>2</sup> <a href="#">Tagging (three options available)</a>	psf <a href="#">Tagging (three options available)</a> <sup>(2)</sup>
<b>Flow</b>			
User-defined			
<b>Totalizer – Flow Units of Time</b>			
Seconds	Minutes	Hours	Days
<b>Level</b>			
Feet (ft)	Meters (m)	Inches (in)	Centimeters (cm)
Millimeters (mm)			
<b>Volume</b>			
Gallons	Liters	Imperial Gallons	Cubic Meters
Barrels	Cubic Yards	Cubic Feet	Cubic Inches

(1) Not available with Low Power (output code M) or PROFIBUS PA (output option code W).

(2) Not available with 4-20 mA HART (output code A).

### Display and interface options

M4 Digital display with LOI

- Available for 4–20 mA HART, Low Power, and PROFIBUS PA

M5 Digital display

- Two-line, five-digit LCD display for low power output
- Two-line, five-digit LCD display for 4–20 mA HART, FOUNDATION Fieldbus, and PROFIBUS PA
- Three-line, seven-digit LCD display for Wireless
- Direct reading of digital data for higher accuracy
- Displays user-defined flow, level, volume, or pressure units
- Displays diagnostic messages for local troubleshooting
- 90-degree rotation capability for easy viewing

M6 Graphical LCD display

- Available for 4–20 mA HART
- Three-line, fourteen character graphical LCD display
- Backlit
- Available in English, Chinese, French, German, Italian, Portuguese, Russian, and Spanish
- Bluetooth<sup>®</sup>, square root, and NAMUR compliant maintenance icons
- 90-degree physical rotation and 180-degree software rotation capability for easy viewing
- User adjustable decimal precision and decimal separator
- Gage or absolute unit labels

### Configuration buttons

Rosemount 3051 will ship with no buttons unless option D1 (quick service buttons), D4 (analog zero and span), DZ (digital zero), or M4 (LOI) for local configuration buttons are specified.

The Rosemount 3051 Wireless Transmitter is available with a Digital zero button installed with or without the LCD digital display.

### Transient protection (option code T1)

Tested in accordance with IEEE C62.41.2-2002, location category B

- 6 kV crest (0.5  $\mu$ s–100 kHz)
- 3 kA crest (8 x 20  $\mu$ s)
- 6 kV crest (1.2 x 50  $\mu$ s)

### External ground screw assembly

The external ground screw assembly can be ordered by specifying option code V5. The transient protection terminal block (option code T1) and some product certifications include the ground screw assembly in the transmitter, hence it is not necessary to order the V5 code when ordering these options. [Tagging \(three options available\)](#) identifies which product certification options include the external ground screw assembly and which do not.

**Table 13: External ground screw assembly**

Option code	External ground screw assembly included?
C6, E5, E6, I2, I3, I4, I5, I6, I7, IM, IP, K5, K6, KB, KL	No. Order option V5 or T1.
E2, E3, E4, E7, E8, EM, EP, I1, IA, IB, IE, IG, IN, K2, K6, K7, K8, KC, KD, KM, KP, KS, N1, N3, N7, ND, NK	Yes

### Bolts for flanges and adapters

- Options permit bolts for flanges and adapters to be obtained in various materials
- Standard material is plated CS per ASTM A449, Type 1
- L4 austenitic 316 SST bolts
- L5 ASTM A 193, Grade B7M bolts
- L6 alloy k-500 bolts

### Conduit plug

DO option replaces the standard CS plug with 316 SST plug.

### Rosemount 3051C Coplanar Flange and 3051T bracket option

B4 Bracket for 2-inch pipe or panel mounting

- For use with the standard coplanar flange configuration
- Bracket for mounting of transmitter on 2-inch pipe or panel
- SST construction with SST bolts

### Rosemount 3051C Traditional Flange bracket options

B1 Bracket for 2-inch pipe mounting

- For use with the traditional flange option
- Bracket for mounting on 2-inch pipe
- CS construction with CS bolts
- Coated with polyurethane paint

B2 Bracket for panel mounting

- For use with the traditional flange option
- Bracket for mounting transmitter on wall or panel
- CS construction with CS bolts
- Coated with polyurethane paint

**B3 Flat Bracket for 2-inch pipe mounting**

- For use with the traditional flange option
- Bracket for vertical mounting of transmitter on 2-inch pipe
- CS construction with CS bolts
- Coated with polyurethane paint

**B7 B1 Bracket with SST bolts**

- Same bracket as the B1 option with Series 300 SST bolts

**B8 B2 Bracket with SST bolts**

- Same bracket as the B2 option with Series 300 SST bolts

**B9 B3 Bracket with SST bolts**

- Same bracket as the B3 option with Series 300 SST bolts

**BA SST B1 bracket with SST bolts**

- B1 bracket in SST with Series 300 SST bolts

**BC SST B3 Bracket with SST bolts**

- B3 bracket in SST with Series 300 SST bolts

**BE 316SST B4 Bracket with 316SST bolts**

- B4 bracket in 316SST with 316SST bolts







For more information: [Emerson.com/global](https://emerson.com/global)

©2025 Emerson. All rights reserved.

Emerson Terms and Conditions of Sale are available upon request. The Emerson logo is a trademark and service mark of Emerson Electric Co. Rosemount is a mark of one of the Emerson family of companies. All other marks are the property of their respective owners.

The "Bluetooth" word mark and logos are registered trademarks owned by Bluetooth SIG, Inc. and any use of such marks by Emerson is under license.