

## Table of Content

XLEB A65HP (direct drive, with slip clutch)	1
XLEB A65CNP (direct drive, without slip clutch) .....	5
XLEB A65MNP (direct drive, without slip clutch) .....	7
XLEB A65HNP (direct drive, without slip clutch) .....	9
XLEB A65HNGP (guided chain, without slip clutch) .....	13
XLEB A65HGP (guided chain, slip clutch) .....	15
XLEB A65H (suspended, with slip clutch) .....	19
XLEB A65HNPD66 (direct drive, without slip clutch) .....	23
XLEB A65HPD66 (direct drive, with slip clutch) .....	27
XLER A65MNP (direct drive, without slip clutch) .....	31
XLER A65HNP (direct drive, without slip clutch) .....	35
XLEW 18/A65HNP (direct drive, without slip clutch) .....	39
XLEW 18/A65HP * (direct drive, with slip clutch) .....	41
Complete unit XLED A65H .....	43
Idler end unit XLEJ A65 .....	47
Basic locating module XLUL 11 .....	53
XLUT 45/90 D, XLUT 45/90 M, XLUT 45/90 C .....	55

© Copyright FlexLink 2021

The contents of this publication are the copyright of the publishers and may not be reproduced (even extracts) unless permission is granted. Every care has been taken to ensure the accuracy of the information but no liability can be accepted for any errors or omissions. The right is reserved to make design modifications.

### Patents

Essential parts of the FlexLink product range are protected by patents and design regulations.

Drawings are made to European standards.

**1. How to read the catalogue:** Open the catalogue and from the Table of content or the PDF navigation bar locate the group in which the part you want to find is present. Turn over to the concerned page number by a "click". Now find out the figure of the part you wish to order. Jot down the part number against that particular figure number from the text. In case, if you have the part number and you need the other details, the part index can be used. The part index (at the end of the catalogue) will give you the figure and page number of the part you wish to order.

**2. How to order spare parts:** The part number and the description of the part required should be invariably mentioned in the order as per the catalog text. The latest part number as conveyed through our service circulars should only appear on the order. In case of ordering colored components, colour code of the components should be mentioned. The quantity shown against the part number is the quantity per unit for that group so that particular quantity should be multiplied by the number of sets required.

**3. Abbreviations:** The following abbreviations are used in this catalog:

assly.	Assembly
V	Volts
N.I.	Not illustrated
W	Watt
Comp.	Complete
Fr	Front
Std.	Standard
L	Length
A/t.	Alternate
Rr	Rear
L.H.	Left hand
R.H.	Right hand
AR	As required
<i>(Part number)</i>	Part number presented in "parentheses" and in Italic character style
	Parts are included in a Spare parts kit.
*)	These items can only be purchased as part of a kit and when an item has an * the corresponding item always is placed between brackets (..) see above.
Recommended Spare part	Parts which are usually kept in stock and have short turnaround (See item 4)

# SPARE PARTS

**4. Recommended Spare parts:** Several items of the complete spare parts overview are earmarked as recommended spare parts. FlexLink advises its customers to purchase and stock these specific items for replacement in case of failure of the original item. The recommended spares are limited to only these items for which the cost of buying is in a fair relationship to the risk (i.e. probability \* impact) of sudden failure. It merely consists of wear parts and some electrical and pneumatic components.





# SPARE PARTS

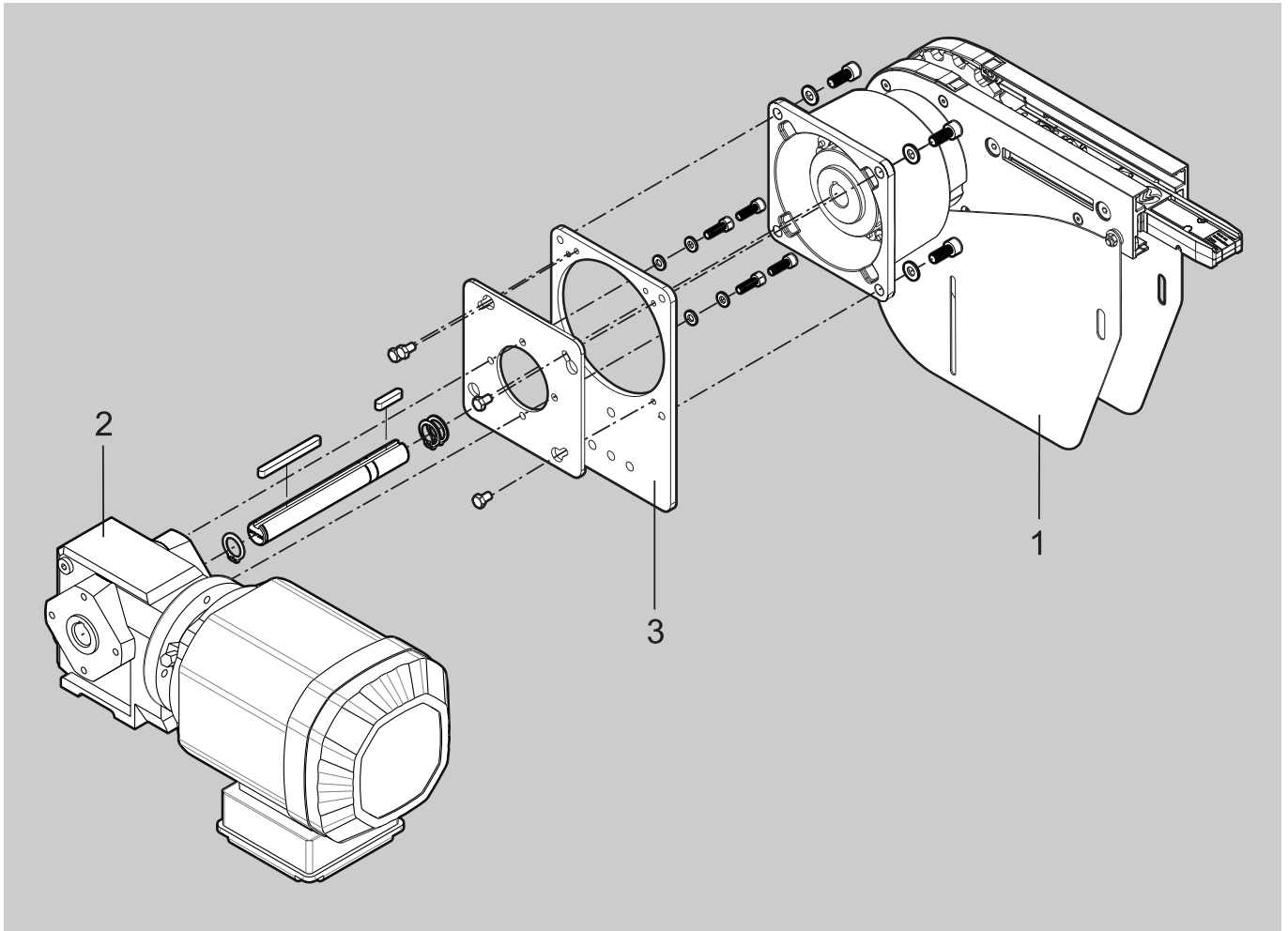
## Spare parts End drive unit XLEB A65HP

Technical information from FlexLink

5721EN-2

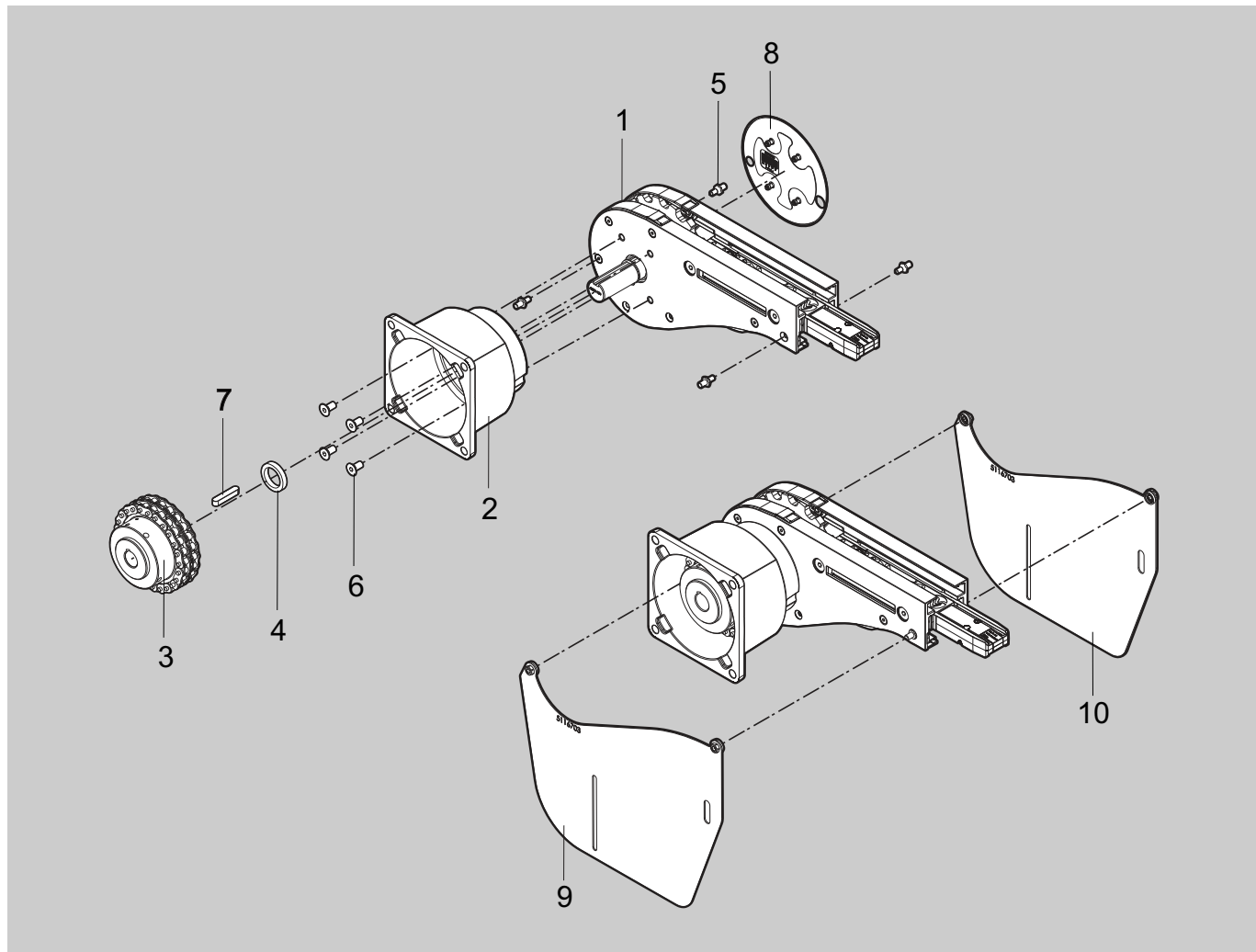
### XLEB A65HP (direct drive, with slip clutch)

Complete unit XLEB A65HP



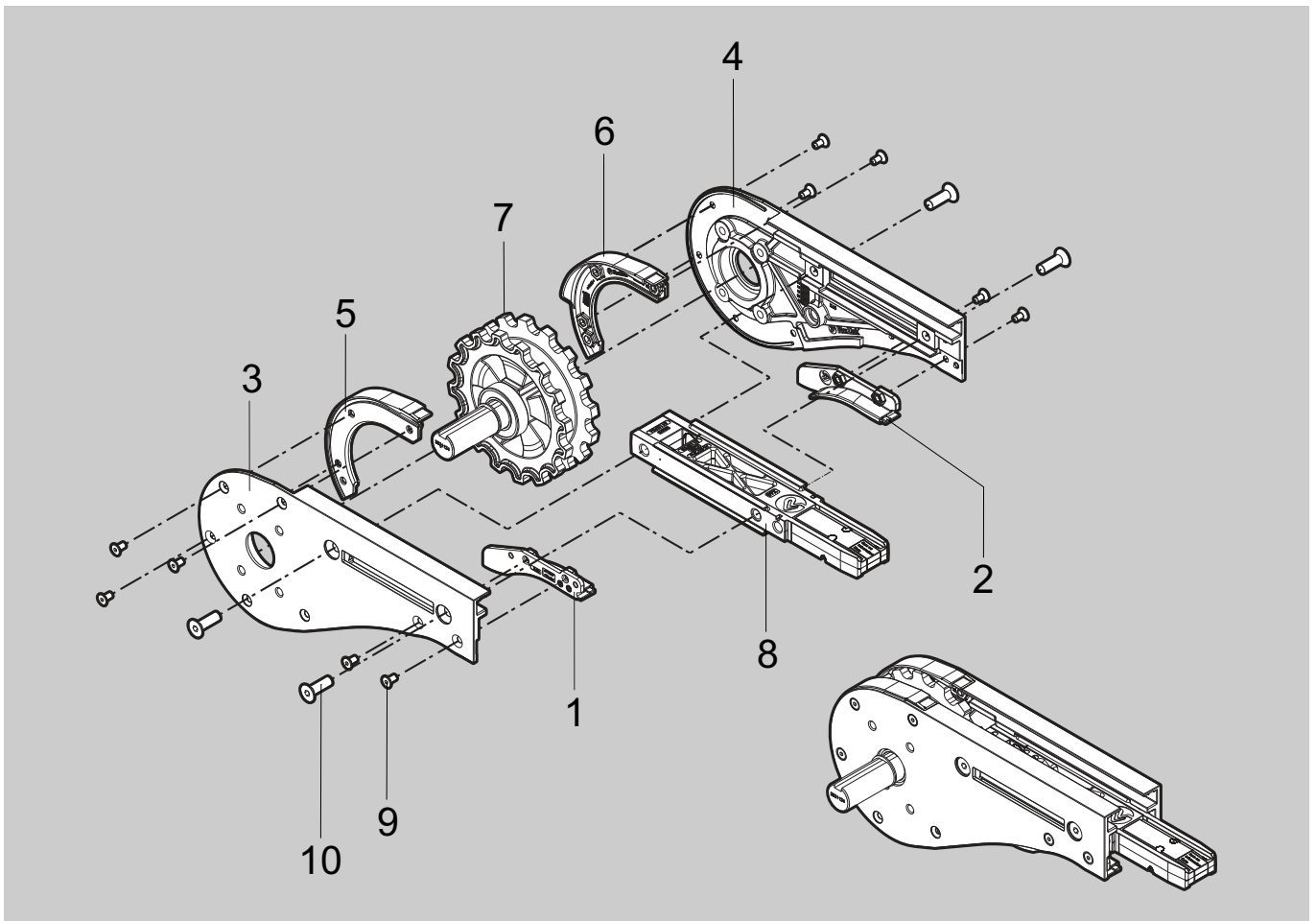
Item	Description	Part No	Qty	Comments	Recommended Spare parts
1	0-unit left 0-unit right	XLEB 0A65HLP XLEB 0A65HRP	1	See next page	
2	Motor	See configuration	1		
3	Adapter plate	5117108	1	SA37 Including screw kit and shaft	

## 0-unit XLEB A65HP



Item	Description	Part No	Qty	Comments	Recommended Spare parts
1	Basic unit, left Basic unit, right	XLEB 0A65HLU XLEB 0A65HRU	1	See next page	
2	Flange	3920084	1		
3	Slip clutch Ø25 mm	5054003	1	(3925774) ISO 08B 1/2"	
	-Slip clutch, Spare parts kit	5056817	1	Kit contains chain wheel, spring and ball.	X
4	Spacer	3921652	1		
5*	Distance screw M5/M6	(3925718)	4		
6	Hexagon socket c-sunk screw	ISO 10642	4	M8x16-10.9-A2K	
7	Thin parallel key	DIN 6885 A h9	1	8x7x40	
8*	Cover plate, left Cover plate, right	(5116549) (5116550)	1		
9*	Slack protection L	(5116756)	1		
10*	Slack protection R	(5116757)	1		
*) 5	Distance screw kit M5/M6	5111598	1	Kit contains 10 pcs	
*) 9+10	Slack protection kit	5117132	1		

## Basic unit XLEB A65HP



Item	Description	Part No	Qty	Comments	Recommended Spare parts
1*	Guide L	(5116529)	1		
2*	Guide R	(5116528)	1		
3*	Side plate L	(5115755)	1		
4*	Side plate R	(5115744)	1		
5*	Steering guide L	(3920944)	1		
6*	Steering guide R	(3920945)	1		
7*	Drive wheel	5111580	1	(3920946) Only wheel	X
8	Frame	5115704	1		
9	Hexagon socket c-sunk screw	ISO 10642	10	M5x10-10.9-A2K	
10	Hexagon socket c-sunk screw	ISO 10642	4	M8x25-10.9-A2K	
*) 1+2	Guide kit	5117134	1		X
*) 3+4+8	Side plate kit	5117131	1		
*) 5+6	Steering guide kit	5111583	1	L+R	X
*) 7	Drive wheel kit	5111585	1	Incl. shaft, drive wheel, thin parallel key, bearings, retaining rings.	

This page is intentionally left blank

# SPARE PARTS

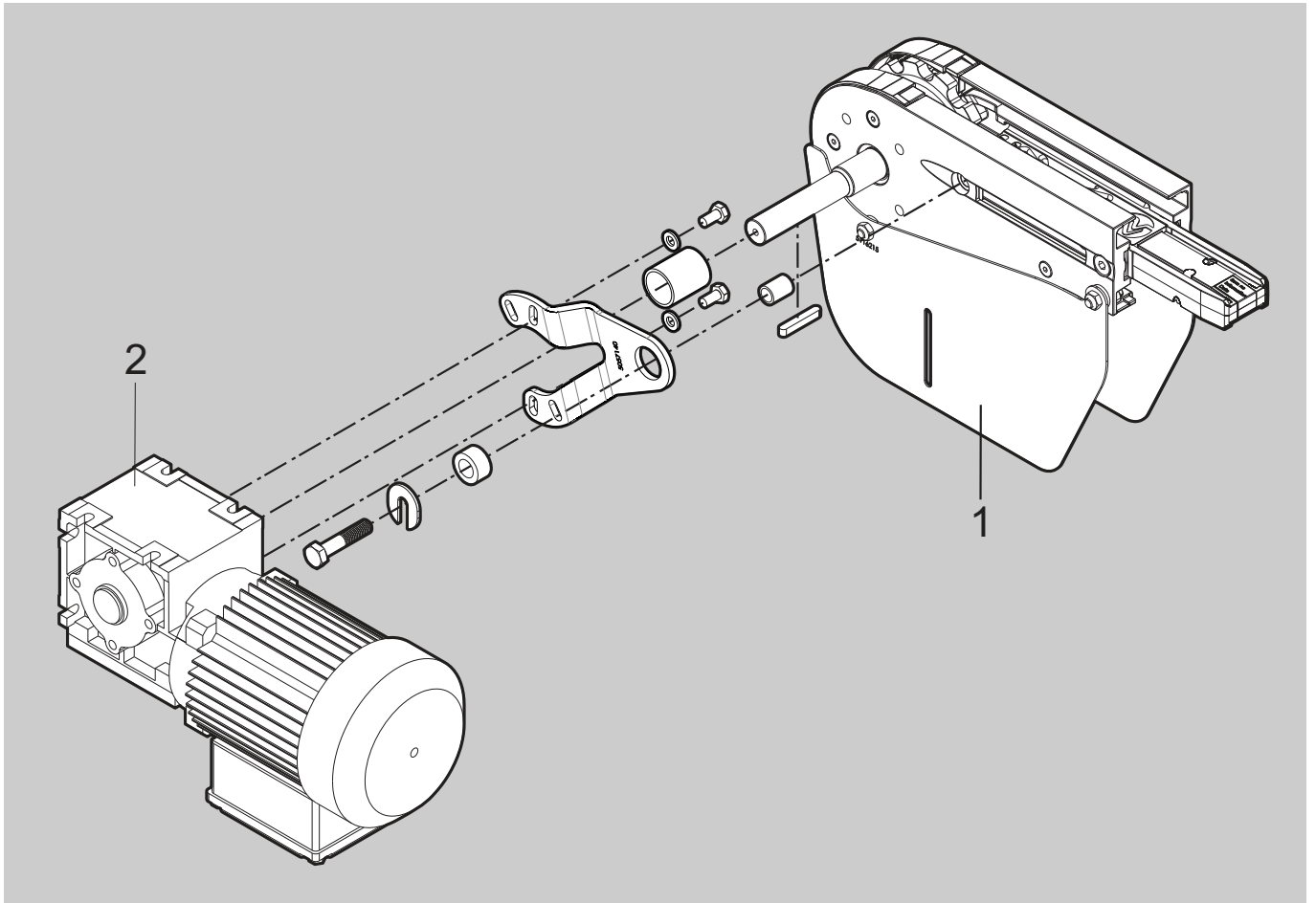
## Spare parts End drive unit XLEB A65CNP

Technical information from FlexLink

5722EN-2

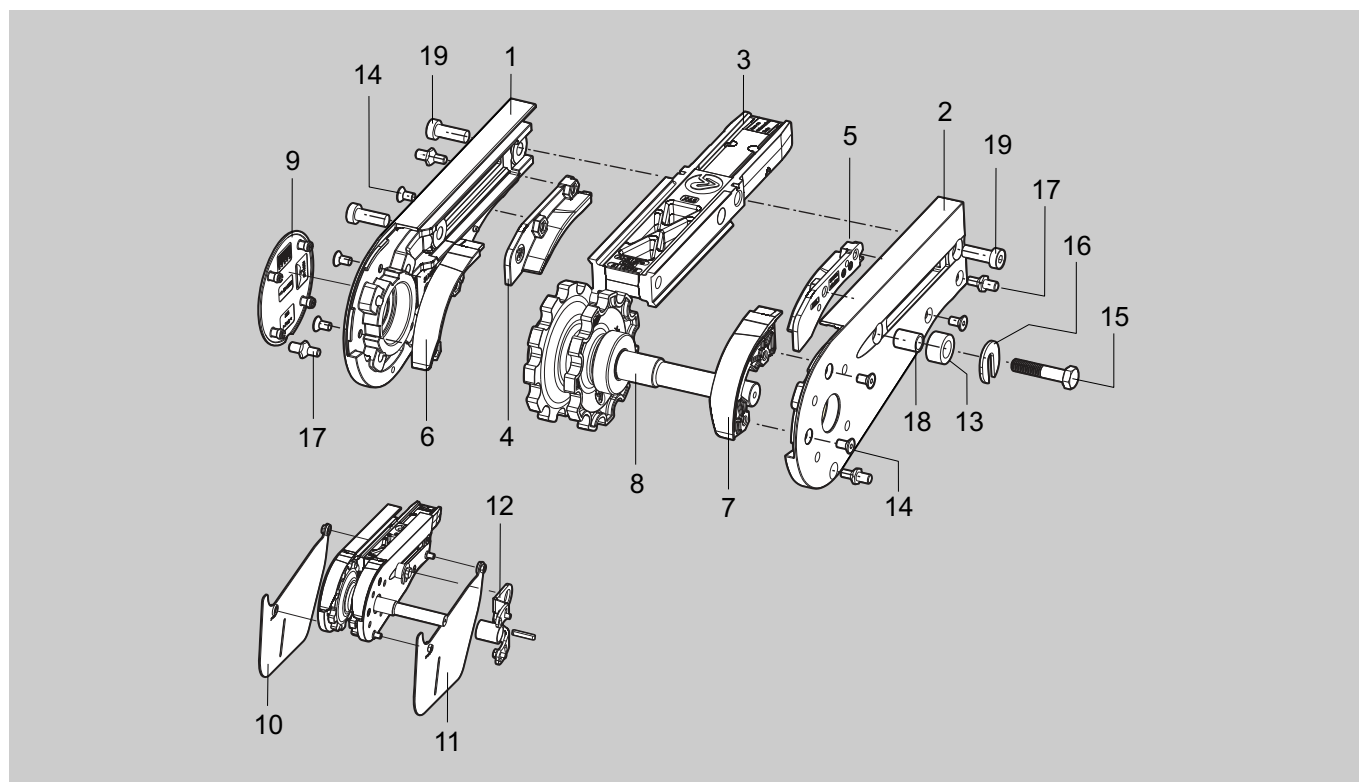
### XLEB A65CNP (direct drive, without slip clutch)

#### Complete unit XLEB A65CNP



Item	Description	Part No	Qty	Comments	Recommended Spare parts
1	0-unit left 0-unit right	XLEB 0A65CNLP XLEB 0A65CNRP	1	See next page	
2	Motor	See configuration	1		

## 0-unit XLEB A65CNP



Item	Description	Part No	Qty	Comments	Recommended Spare parts
1*	Side plate	(5116045)	1		
2*	Side plate	(5116046)	1		
3	Frame	5115995	1		
4*	Guide R	(5116485)	1		
5*	Guide L	(5116486)	1		
6*	Steering guide R	(5116113)	1		
7*	Steering guide L	(5116136)	1		
8*	Assembly kit XL WA10 drive	(5057612)	1		
9*	Cover plate	(5116221)	1		
10*	Slack protection R	(5116752)	1		
11*	Slack protection L	(5116753)	1		
12	Torque arm kit	5057951	1		
13*	Absorber	(5043874)	1	For torque arm	
14	Hexagon socket c-sunk screw	ISO 10642	6	M5x10-10.9-A2K	
15*	Hex head screw	ISO 4014	1	M8x40-8.8-A2K	
16*	Washer torque arm	(5056635)	1		
17*	Distance screw	(3925718)	4	M5/M6	
18*	Spacer	(5057483)	1		
19	Hexagon socket head cap screw	DIN 7984	3	M8x22-8.8-A2K	
*) 1+2+9	Side plate kit	5117120	1	L+R	
*) 4+5	Guide kit	5117119	1	L+R	X
*) 6+7	Steering guide kit	5117118	1	L+R	X
*) 8	Wheel compl. WA10 XL	5057896	1	Incl. Drive shaft, wedge, drive wheel, retaining rings, bearings.	
*) 10+11	Slack protection kit	5117121	1	L+R	
*) 13+15+16+18	Absorber kit	5111563	1		
*) 17	Distance screw kit M5/M6	5111598	1	Kit contains 10 pcs	

# SPARE PARTS

## Spare parts End drive unit XLEB A65MNP

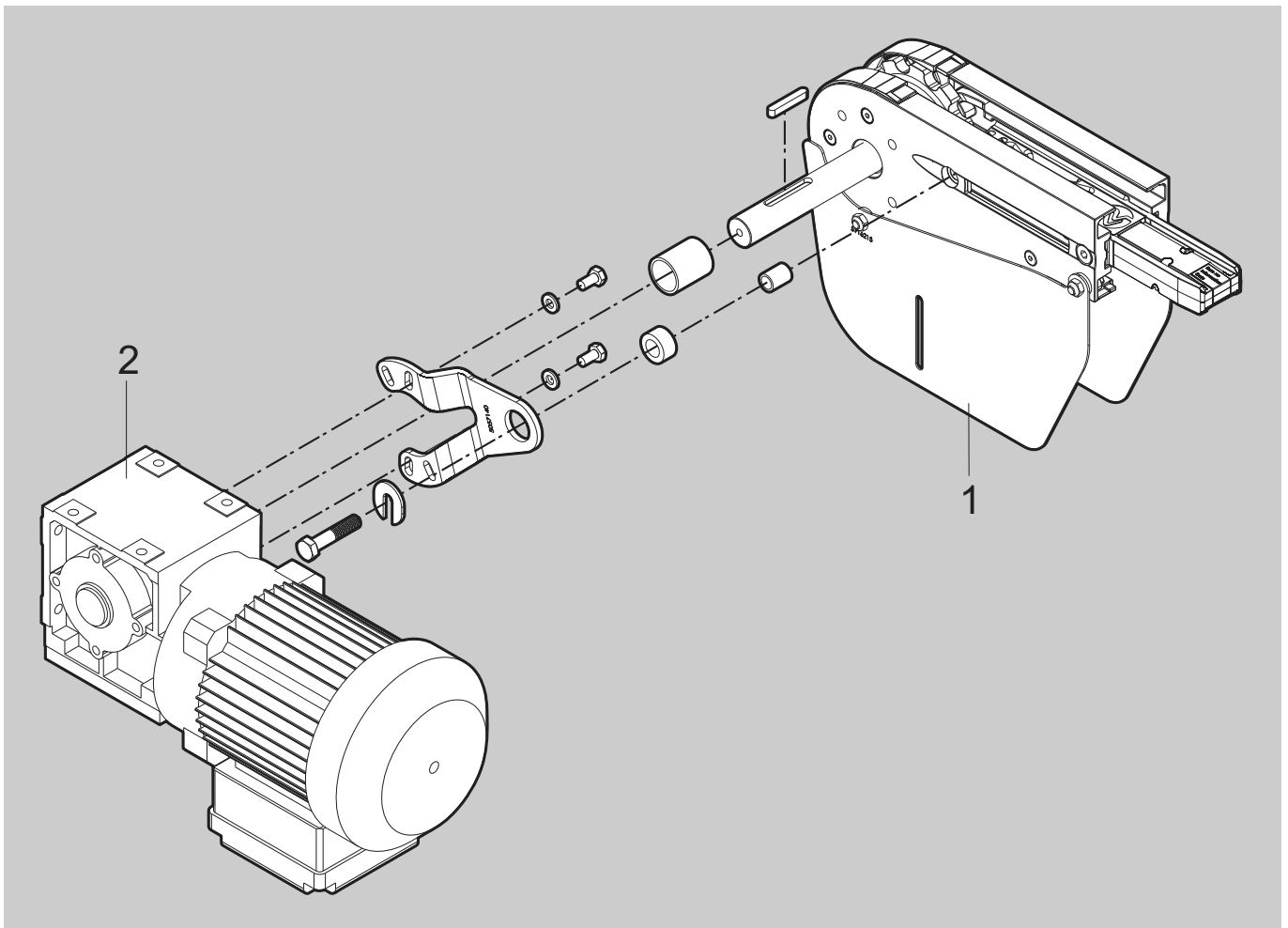


Technical information from FlexLink

5701EN-2

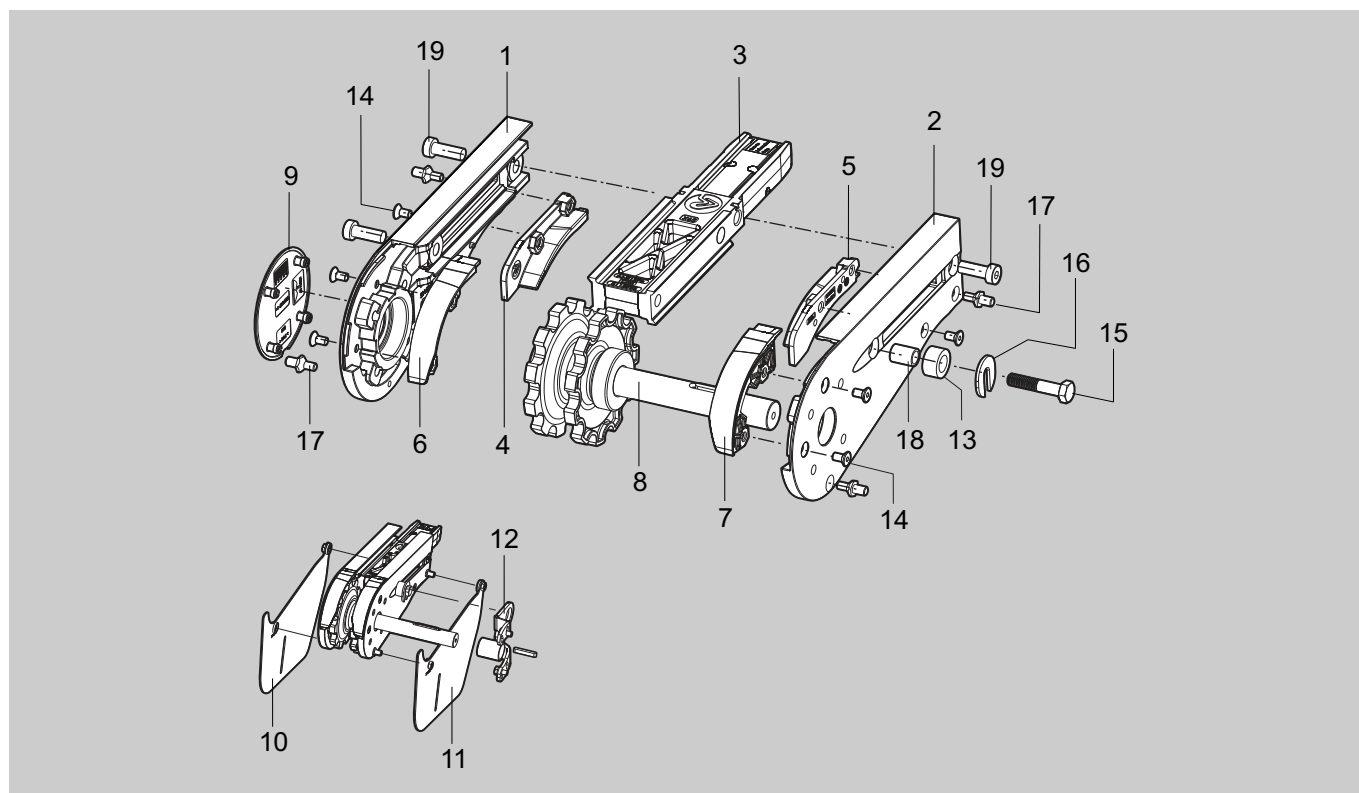
### XLEB A65MNP (direct drive, without slip clutch)

#### Complete unit XLEB A65MNP



Item	Description	Part No	Qty	Comments	Recommended Spare parts
1	0-unit left 0-unit right	XLEB 0A65MNLP XLEB 0A65MNRP	1	See next page	
2	Motor	See configuration	1		

## 0-unit XLEB A65MNP



Item	Description	Part No	Qty	Comments	Recommended Spare parts
1*	Side plate R	(5116045)	1		
2*	Side plate L	(5116046)	1		
3	Frame	5115995	1		
4*	Guide R	(5116485)	1		
5*	Guide L	(5116486)	1		
6*	Steering guide R	(5116113)	1		
7*	Steering guide L	(5116136)	1		
8*	Assembly kit XL WA20 drive	(5057622)	1		
9*	Cover	(5116221)	1		
10*	Slack protection R	(5116752)	1		
11*	Slack protection L	(5116753)	1		
12	Torque arm kit	5057951	1		
13*	Absorber	(5043874)	1	For torque arm	
14	Hexagon socket c-sunk screw	ISO 10642	6	M5x10-10.9-A2K	
15*	Hex head screw	ISO 4014	1	M8x40-8.8-A2K	
16*	Washer torque arm	(5056635)	1		
17*	Distance screw	(3925718)	4	M5/M6	
18*	Spacer	(5057483)	1		
19	Hexagon socket head cap screw	DIN 7984	3	M8x22-8.8-A2K	
*) 1+2+9	Side plate kit	5117120	1	L+R	
*) 4+5	Guide kit	5117119	1	L+R	X
*) 6+7	Steering guide kit	5117118	1	L+R	X
*) 8	Wheel compl. WA20 XL	5057897		Incl. drive shaft, wedge, drive wheel, retaining rings, bearings.	
*) 10+11	Slack protection kit	5117121	1	L+R	
*) 13+15+16+18	Absorber kit	5111563	1		
*) 17	Distance screw kit M5/M6	5111598	1	Kit contains 10 pcs.	

# SPARE PARTS

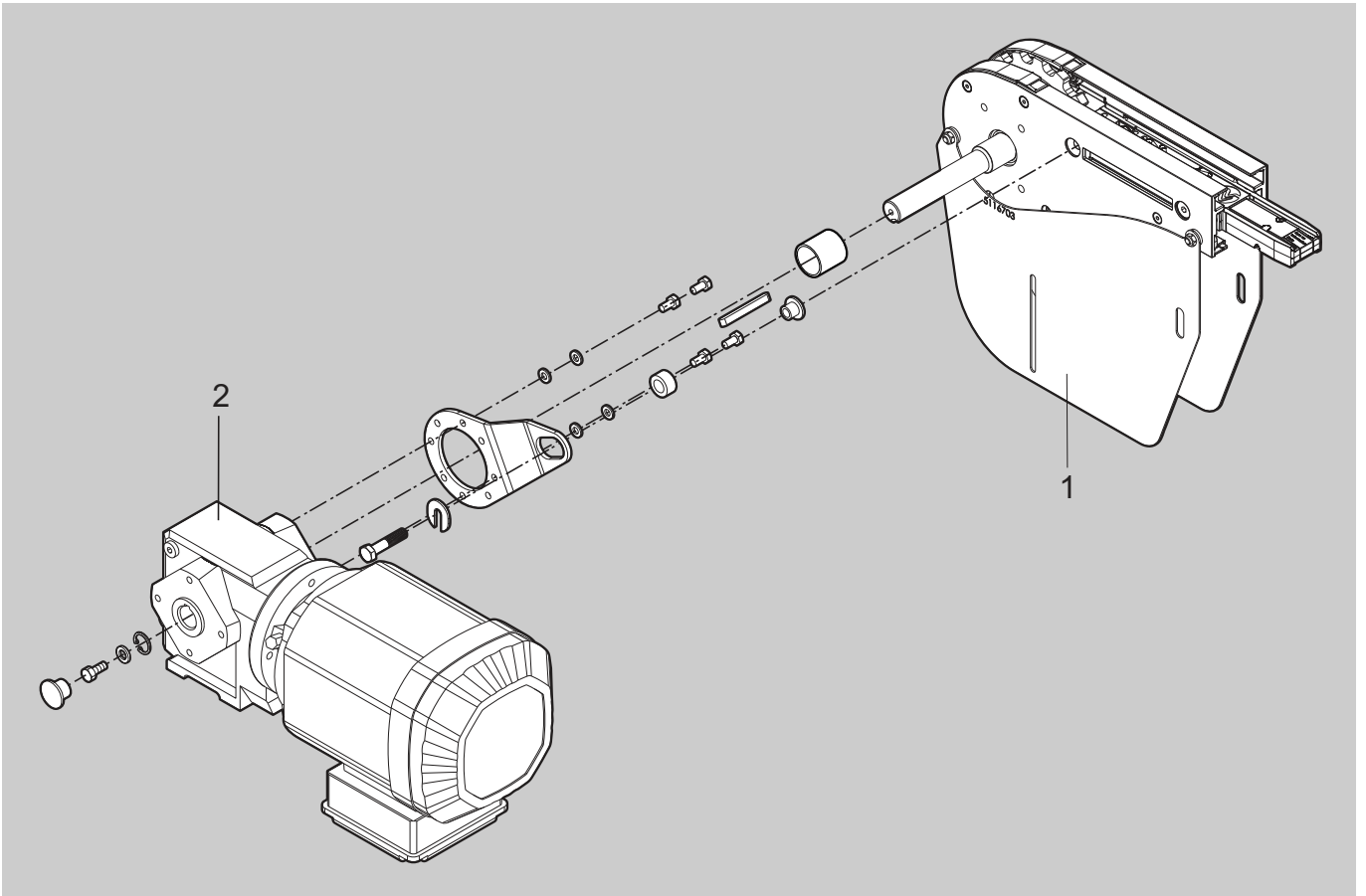
## Spare parts End drive unit XLEB A65HNP

Technical information from FlexLink

5702EN-2

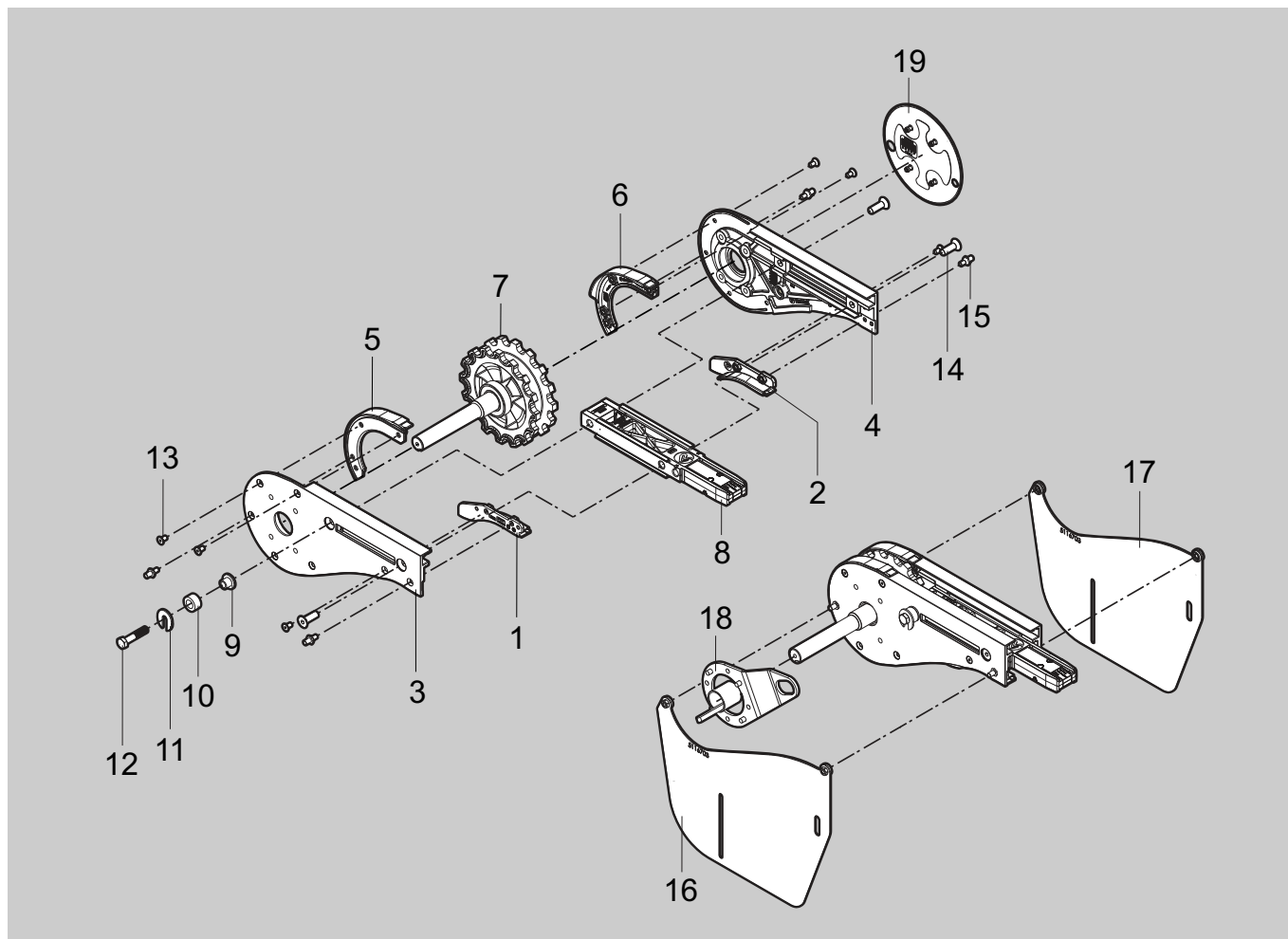
### XLEB A65HNP (direct drive, without slip clutch)

#### Complete unit XLEB A65HNP



Item	Description	Part No	Qty	Comments	Recommended Spare parts
1	0-unit left 0-unit right	XLEB 0A65HNLP XLEB 0A65HNRP	1	See next page	
2	Motor	See configuration	1		

## 0-unit XLEB A65HNP



Item	Description	Part No	Qty	Comments	Recommended Spare parts
1*	Guide L	(5116529)	1		
2*	Guide R	(5116528)	1		
3*	Side plate L	(5115755)	1		
4*	Side plate R	(5115744)	1		
5*	Steering guide L	(3920944)	1		
6*	Steering guide R	(3920945)	1		
7*	Drive wheel	5111580	1	(3920946) Only wheel	X
8	Frame	5115704	1		
9*	Sleeve	(5043873)	1		
10*	Absorber	(5043874)	1	For torque arm	
11*	Washer torque arm	(5056635)	1		
12*	Hex head screw	ISO 4014	1	M8x40-8.8-A2K	
13	Hexagon socket c-sunk screw	ISO 10642	6	M5x10-10.9-A2K	
14	Hexagon socket c-sunk screw	ISO 10642	3	M8x25-10.9-A2K	
15*	Distance screw	(3925718)	4	M5/M6	
16*	Slack protection L	(5116756)	1		
17*	Slack protection R	(5116757)	1		
18	Torque arm kit	5057039	1		
19*	Cover plate, left Cover plate, right	(5116549) (5116550)	1		

\*Spare parts kit- see next page

Item	Description	Part No	Qty	Comments	Recommended Spare parts
*) 1+2	Guide kit	5117134	1	L+R H X65	X
*) 3+4+19	Side plate kit	5117131	1	L+R H X65	
*) 5+6	Steering guide kit	5111583	1	L+R H X65	X
*) 7	Drive wheel kit	5117133	1	Incl. shaft, drive wheel, thin parallel key, bearings, retaining rings.	
*) 9+10+11+12	Absorber kit	5111548	1		
*) 15	Distance screw kit M5/M6	5111598	1	Kit contains 10 pcs.	
*) 16+17	Slack protection kit	5117132	1	L+R H X65	



# SPARE PARTS

## Spare parts End drive unit XLEB A65HNGP

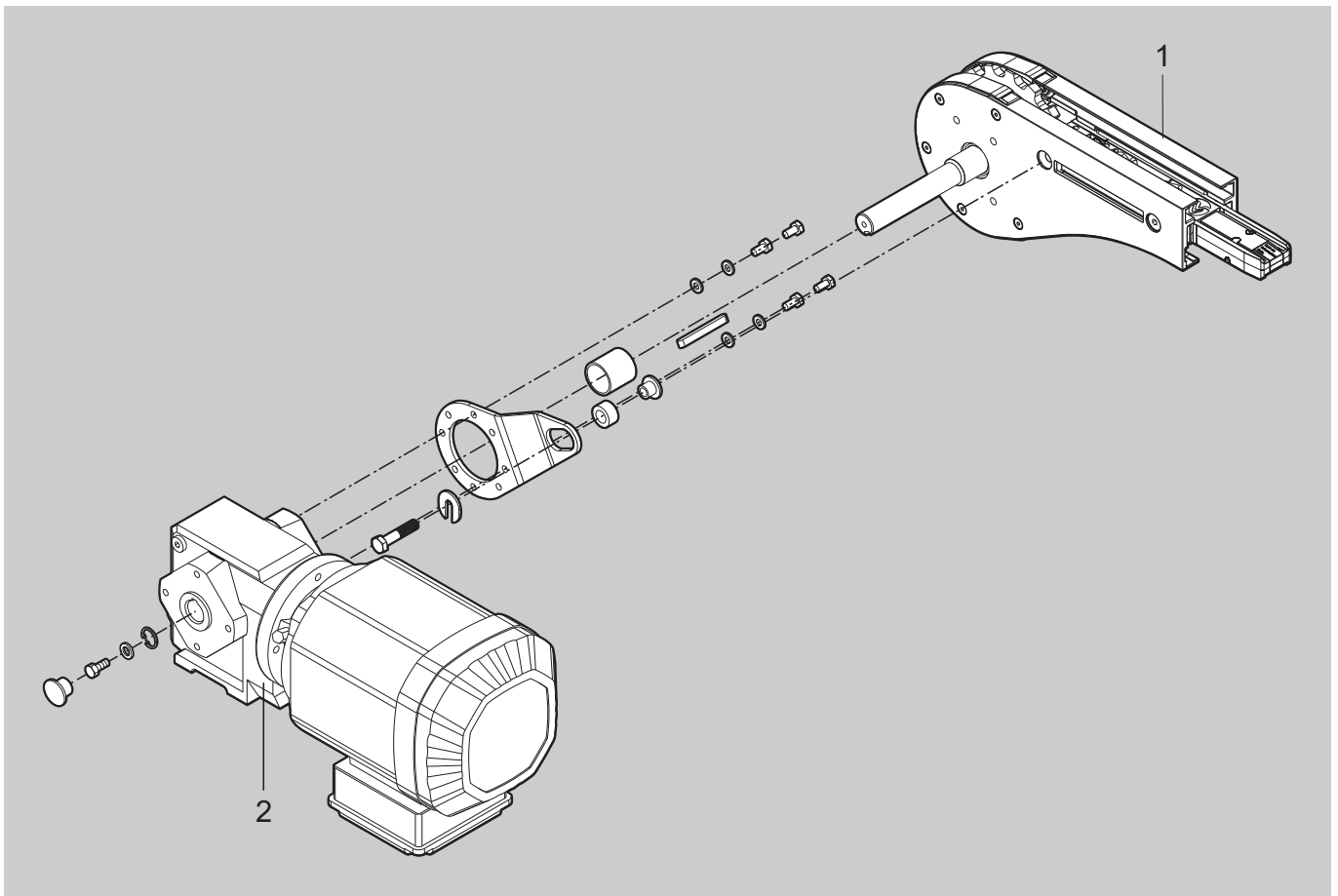


Technical information from FlexLink

5703EN-2

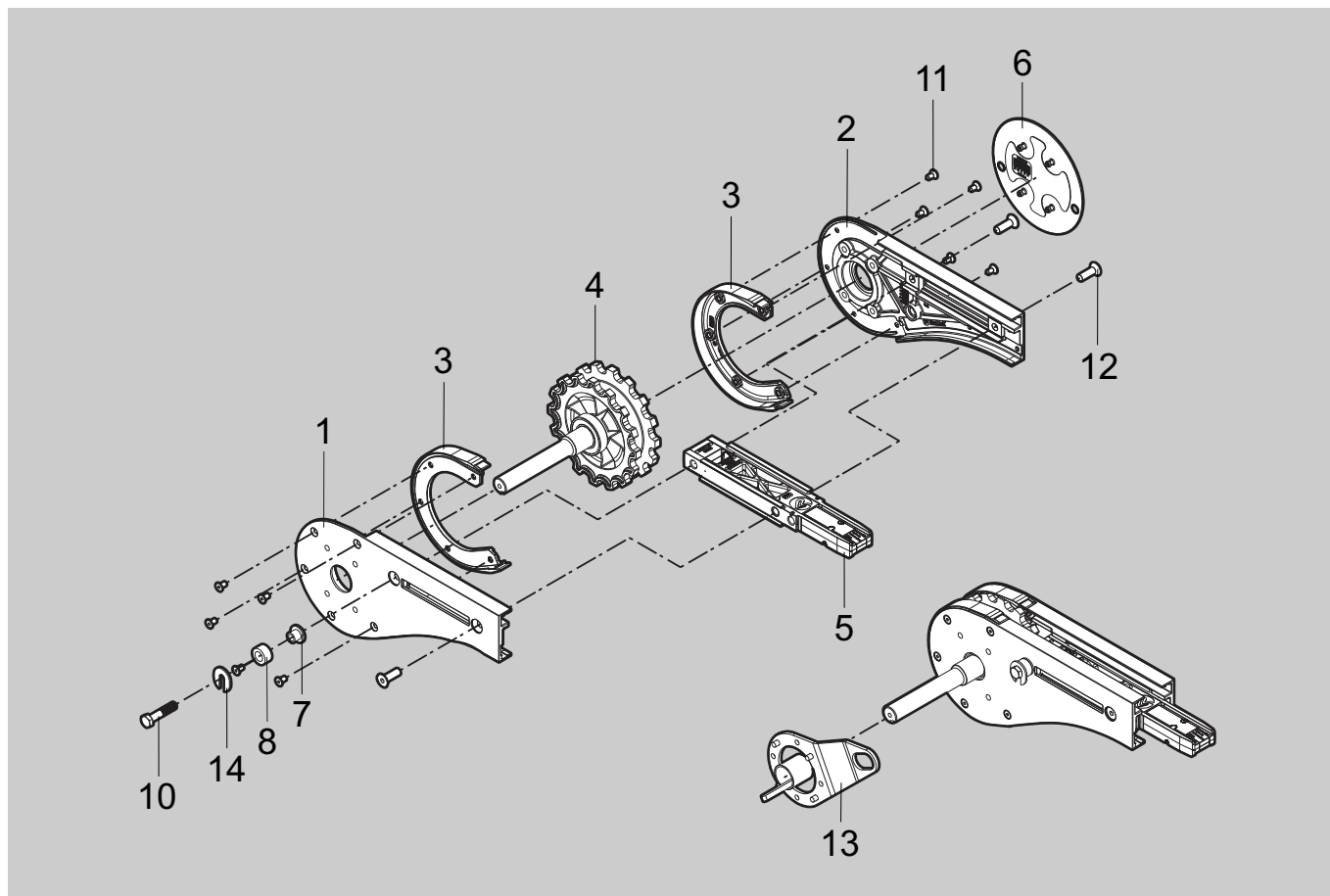
### XLEB A65HNGP (guided chain, without slip clutch)

#### Complete unit XLEB A65HNGP



Item	Description	Part No	Qty	Comments	Recommended Spare parts
1	0-unit left 0-unit right	XLEB 0A65HNLGP XLEB 0A65HNRGP	1	See next page	
2	Motor	See configuration	1		

## 0-unit XLEB A65HNGP



Item	Description	Part No	Qty	Comments	Recommended Spare parts
1*	Side plate L	(5116053)	1		
2*	Side plate R	(5116052)	1		
3*	Steering guide	(3924518)	2		
4*	Drive wheel	5111580	1	(3920946) Only wheel	X
5	Frame	5115704	1		
6*	Cover plate	(5059568)	1		
7*	Sleeve	(5043873)	1		
8*	Absorber	(5043874)	1		
10*	Hex head screw	ISO 4014	1	M8x40-8.8-A2K	
11	Hexagon socket c-sunk screw	ISO 10642	10	M5x10-10.9-A2K	
12	Hexagon socket c-sunk screw	ISO 10642	3	M8x25-10.9-A2K	
13	Torque arm kit	5057039	1		
14*	Washer torque arm	(5056635)	1		
*) 1+2+6	Side plate kit	5117138	1	L+R H X65	
*) 3	Steering guide kit	5111588	1	Kit contains 2 pcs	X
*) 4	Drive wheel kit	5117133	1	Incl. shaft, drive wheel, thin parallel key, bearings, retaining rings.	
*) 7+8+10+14	Absorber kit	5111548	1		

# SPARE PARTS

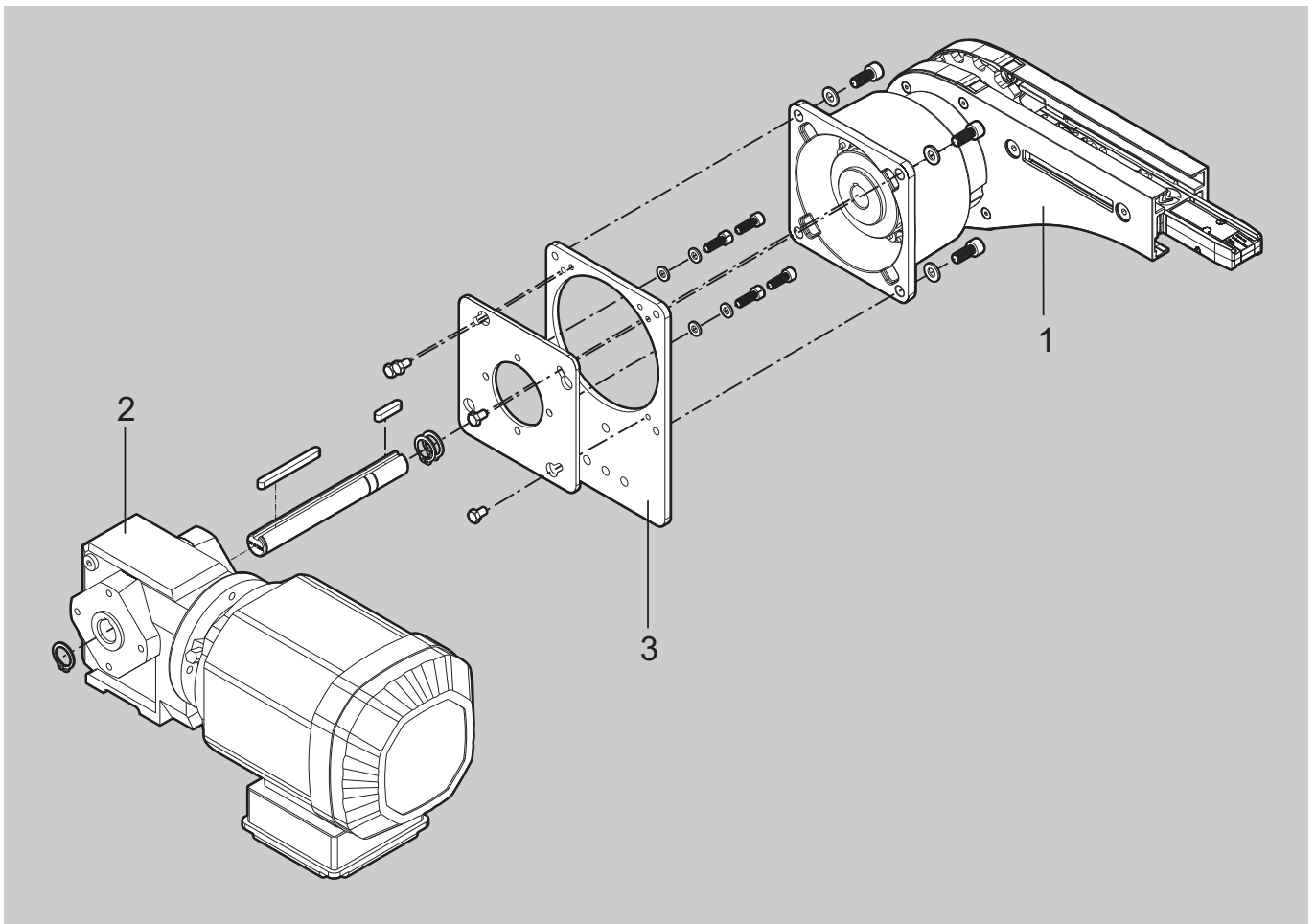
## Spare parts End drive unit XLEB A65HGP

Technical information from FlexLink

5723EN-2

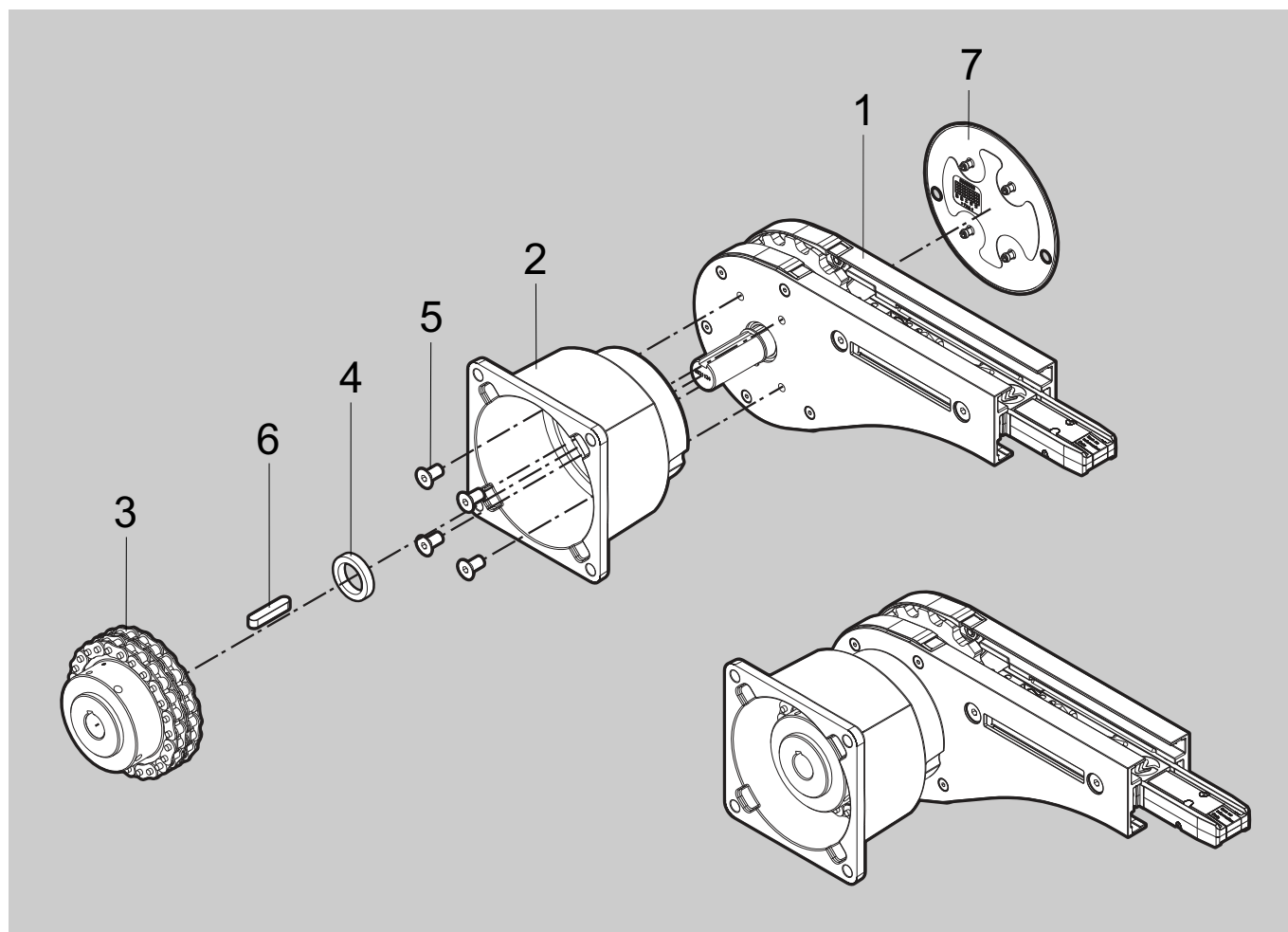
### XLEB A65HGP (guided chain, slip clutch)

#### Complete unit XLEB A65HGP



Item	Description	Part No	Qty	Comments	Recommended Spare parts
1	0-unit left 0-unit right	XLEB 0A65HLGP XLEB 0A65HRGP	1	See next page	
2	Motor	See configuration	1		
3	Adapter plate	5117108	1	SA37 Incl.screw kit and shaft.	

## 0-unit XLEB A65HGP



Item	Description	Part No	Qty	Comments	Recommended Spare parts
1	Basic unit, left Basic unit, right	XLEB 0A65HLGU XLEB 0A65HRGU	1	See next page	
2	Flange	3920084	1		
3	Slip clutch Ø25 mm	5054003	1	(3925774)	
4	-Slip clutch, Spare parts kit	5056817	1	Incl.cup spring, ball, chain wheel	X
5	Hexagon socket c-sunk screw	ISO 10642	4	M8x16-10.9-A2K	
6	Thin parallel key	DIN 6885 A h9	1	8x7x40	
7*	Cover plate	(5059568)	1		



This page is intentionally left blank

# SPARE PARTS

## Spare parts End drive unit XLEB A65H

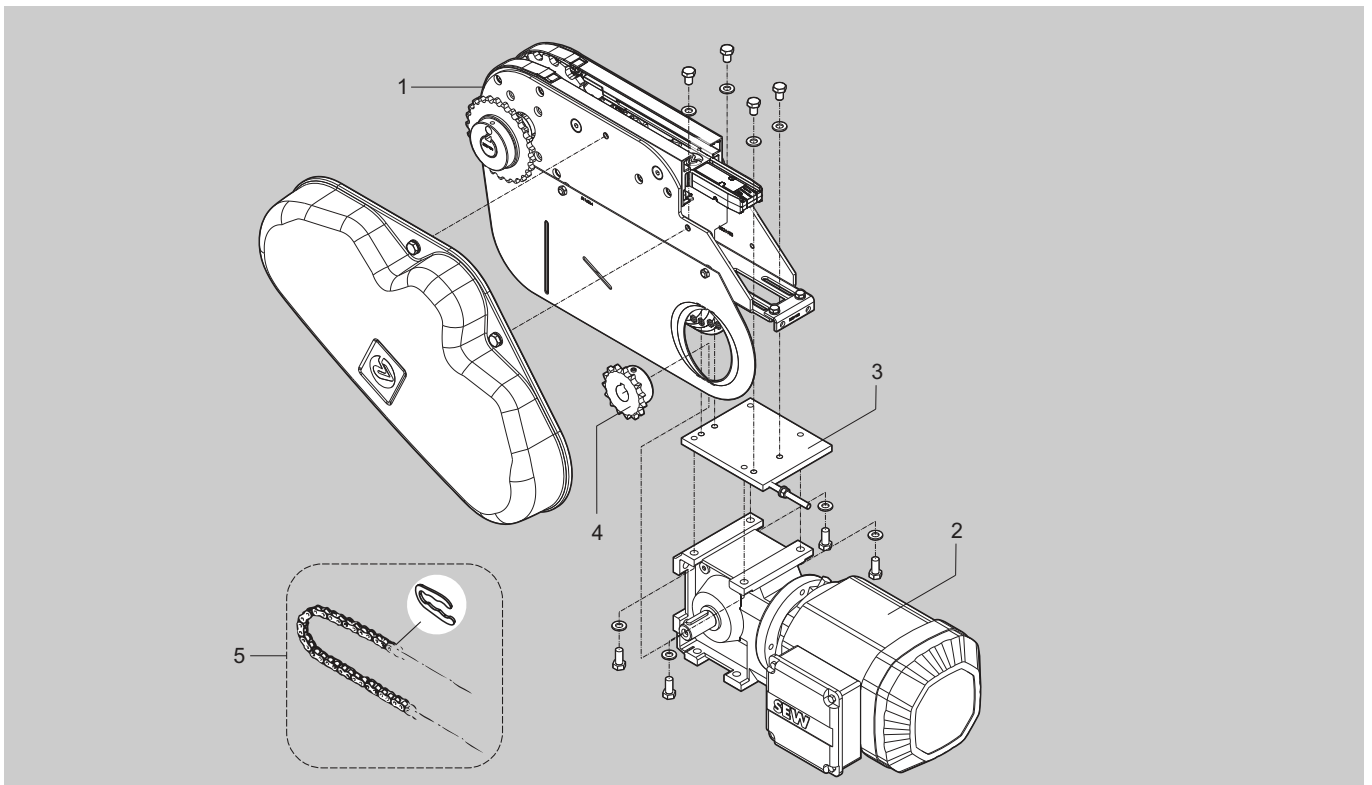


Technical information from FlexLink

5718EN-6

### XLEB A65H (suspended, with slip clutch)

#### Complete unit XLEB A65H



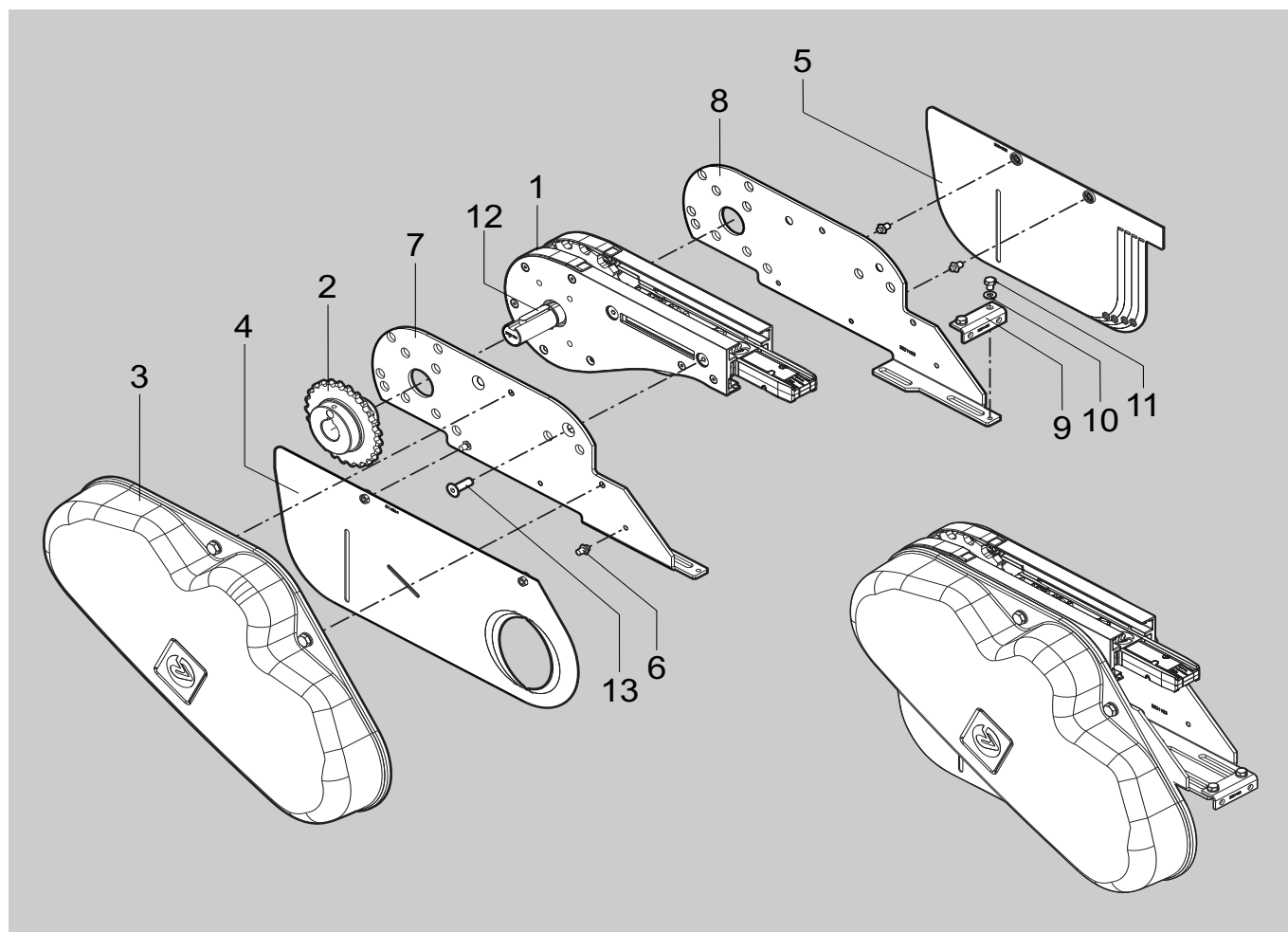
Item	Description	Part No	Qty	Comments	Recommended Spare parts
1	0-unit left 0-unit right	XLEB 0A65HL XLEB 0A65HR	1	See next page	
2	Motor	See configuration	1		
3	Adapter plate Adapter plate, blind	3921099 3921581	1	Including screw kit No screw kit, no holes for motor	
4	Sprocket wheel 1/2"		1	See table below	X
5	Transmission chain + connecting link	3921638 5044948	1	1/2" chain 1/2" ANSI chain	X

#### Important

The sprocket wheel (item 4) should be specified in accordance with the following table:

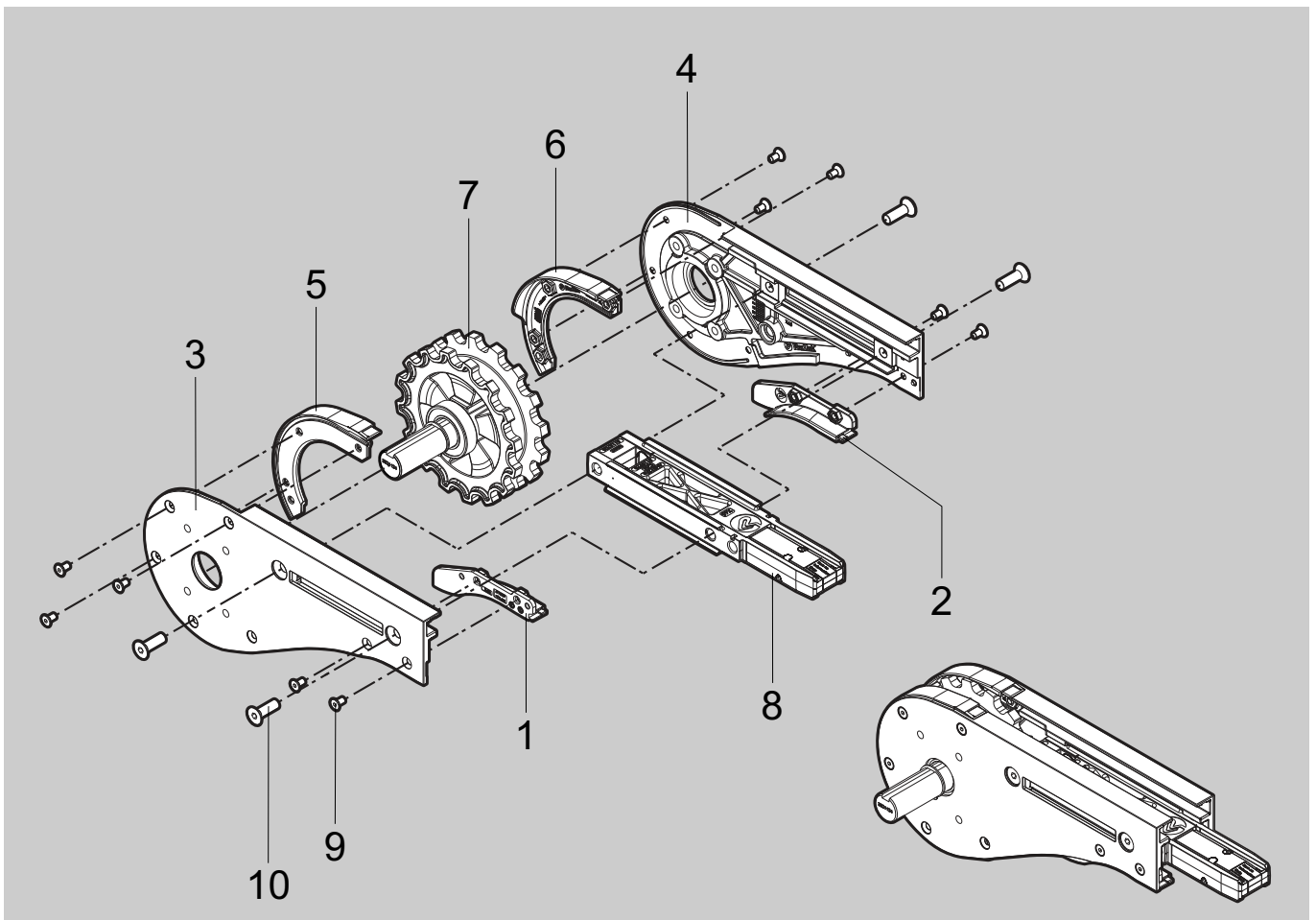
Sprocket wheel 1/2"	Part No (SEW)	Shaft diameter
z=19 ISO	3924438	20
z=21 ISO	3924439	20
z=23 ISO	3924440	20
z=25 ISO	3921258	20
z=15 ANSI	5044935	19,05
z=17 ANSI	5044936	19,05
z=19 ANSI	5044937	19,05
z=21 ANSI	5044938	19,05
z=23 ANSI	5044939	19,05
z=25 ANSI	5044940	19,05

## 0-unit XLEB A65H



Item	Description	Part No	Qty	Comments	Recommended Spare parts
1	Basic unit, left Basic unit, right	XLEB 0A65HLU XLEB 0A65HRU	1		
2	Slip clutch ISO Slip clutch ANSI	3904324 5052769	1	1/2"	
	-Spare parts kit for Slip clutch ISO -Spare parts kit for Slip clutch ANSI	5056817 5056820	1	Incl. cup spring, ball, chain wheel.	X
3	Transmission cover	5120442 5122543	1	Standard Transparent	
4*	Slack protection, left Slack protection, right	(5116899) (5116896)	1	Cover left	
5*	Slack protection, left Slack protection, right	(5116898) (5116897)	1	Cover right	
6*	Distance screw	(5116865)	4		
7	Motor bracket	3921104	1		
8	Motor bracket	3921103	1		
9	Adjustment block	3921105	1		
10	Washer	ISO 7089	2	6,4x12x1,6-A2K	
11	Hexagon head bolt	ISO 4017	2	M6x8-8.8-A2K	
12	Thin parallel key	DIN 6885 A h9	1	8x7x40	
13	Hexagon socket c-sunk screw	ISO 10642	4	M8x25-10.9-A2K	
*) 4+5	Slack protection kit	5117147	1	R+L	
*) 6	Distance screw kit M5/M6	5117139	1	Kit contains 10 pcs.	

## Basic unit XLEB A65H



Item	Description	Part No	Qty	Comments	Recommended Spare parts
1*	Guide L	(5116529)	1		
2*	Guide R	(5116528)	1		
3*	Side plate L	(5115755)	1		
4*	Side plate R	(5115744)	1		
5*	Steering guide L	(3920944)	1		
6*	Steering guide R	(3920945)	1		
7*	Drive wheel	5111580	1	(3920946) Only wheel	X
8	Frame	5115704	1		
9	Hexagon socket c-sunk screw	ISO 10642	10	M5x10-10.9-A2K	
10	Hexagon socket c-sunk screw	ISO 10642	4	M8x25-10.9-A2K	
*) 1+2	Guides kit	5117134	1		X
*) 3+4	Side plate kit	5117131	1		
*) 5+6	Steering guide kit	5111583	1		X
*) 7	Drive wheel kit	5111585	1	Incl. drive wheel, shaft, thin parallel key, bearing, retaining ring.	



# SPARE PARTS

## Spare parts Double drive unit XLEB A65HNPD66

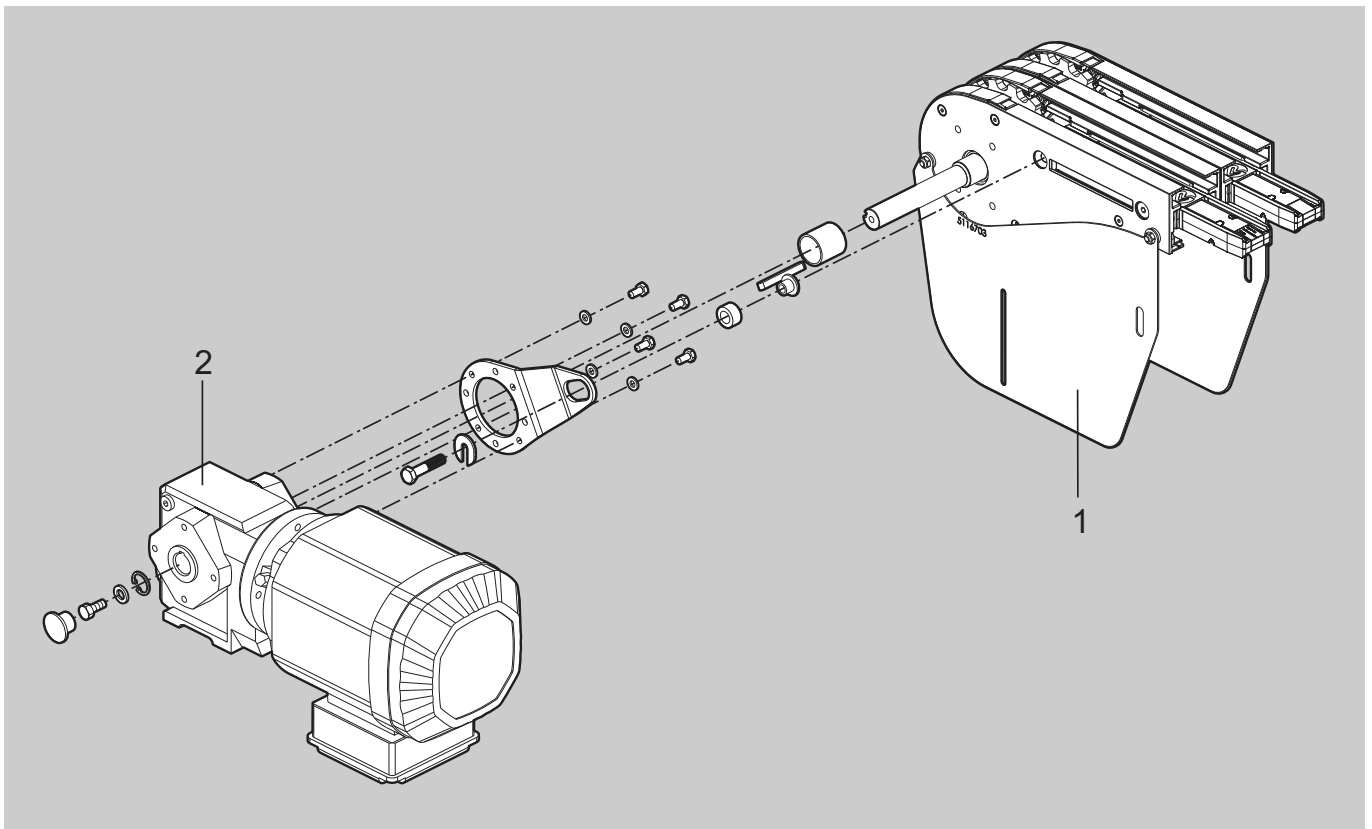


Technical information from FlexLink

5725EN-2

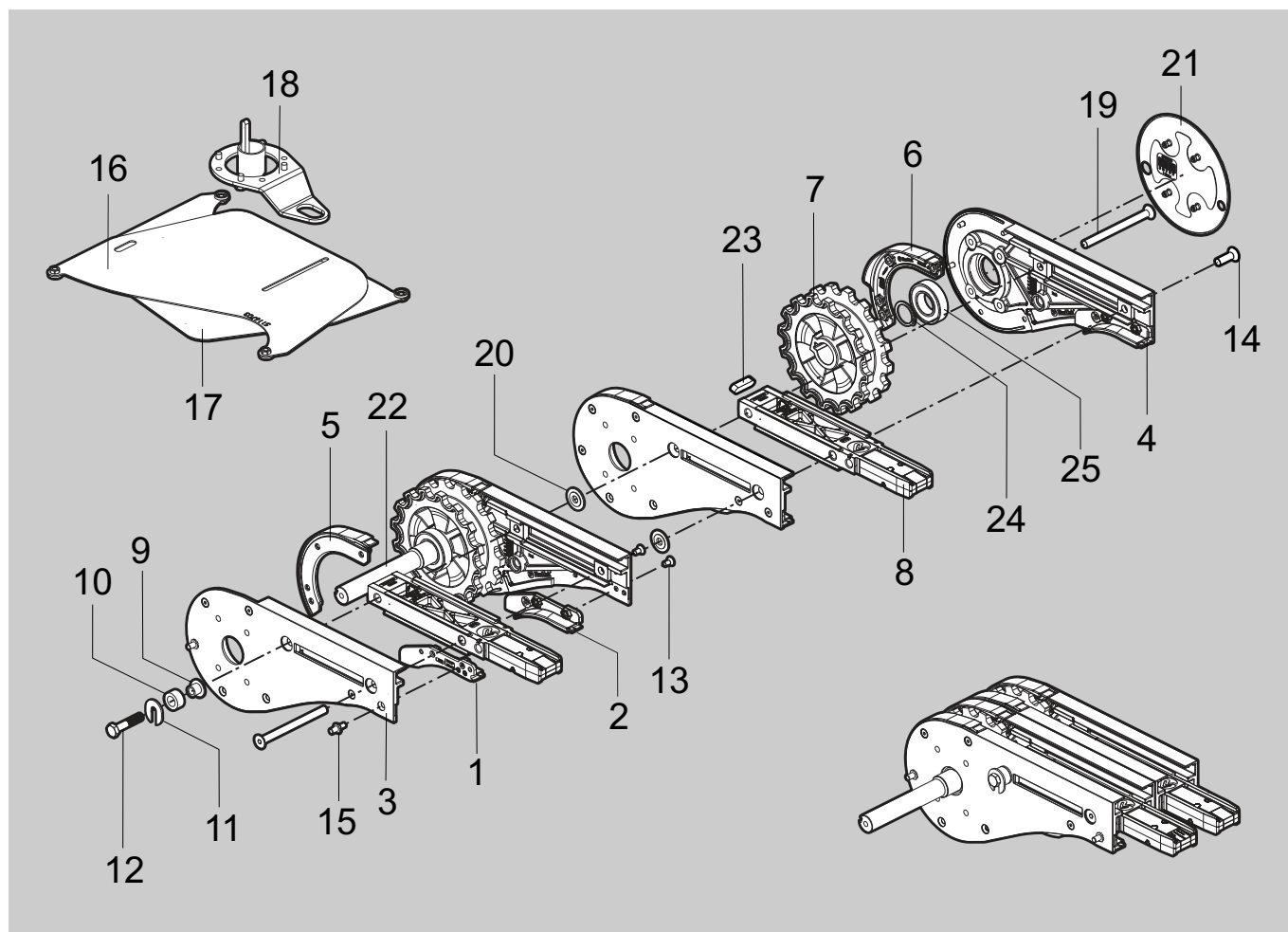
### XLEB A65HNPD66 (direct drive, without slip clutch)

Complete unit XLEB A65HNPD66



Item	Description	Part No	Qty	Comments	Recommended Spare parts
1	0-unit left 0-unit right	XLEB 0A65HNLDP66 XLEB 0A65HNRPD66	1	See next page	
2	Motor	See configuration	1		

## 0-unit XLEB A65HNPD66



Item	Description	Part No	Qty	Comments	Recommended Spare parts
1*	Guide L	(5116529)	2		
2*	Guide R	(5116528)	2		
3*	Side plate L	(5115755)	2		
4*	Side plate R	(5115744)	2		
5*	Steering guide L	(3920944)	2		
6*	Steering guide R	(3920945)	2		
7	Drive wheel	5111580	2		X
8	Frame	5116910	2		
9*	Sleeve	(5043873)	1		
10*	Absorber	(5043874)	1		
11*	Washer torque arm	(5056635)	1		
12*	Hex head screw	ISO 4014	1	M8x40-8.8-A2K	
13	Hexagon socket c-sunk screw	ISO 10642	18	M5x10-10.9-A2K	
14	Hexagon socket c-sunk screw	ISO 10642	1	M8x25-10.9-A2K	
15*	Distance screw	(3925718)	4	M5/M6	
16*	Slack protection L	(5116756)	1		
17*	Slack protection R	(5116757)	1		
18	Torque arm kit	5057039	1		
19	Screw	ISO 10642	2	M8x100-10.9-A2K	
20	Washer	5044324	2		

Item	Description	Part No	Qty	Comments	Recommended Spare parts
21*	Cover plate, right slack Cover plate, left slack	(5116549) (5116550)	1		
22	Shaft	5116913	1		
23	Thin parallel key	5044661	2		
24	Retaining ring	5045636	4		
25	Bearing	5046682	2		
*) 1+2	Guide kit	5117134	1		X
*) 3+4+21	Side plate kit	5117131	1		
*) 5+6	Steering guide kit	5111583	1		X
*) 9+10+11+12	Absorber kit	5111548	1		
*) 15	Distance screw kit M5/M6	5111598	1	Kit contains 10 pcs	
*) 16+17	Slack protection kit	5117132	1		

This page is intentionally left blank

# SPARE PARTS

## Spare parts Double drive unit XLEB A65HPD66

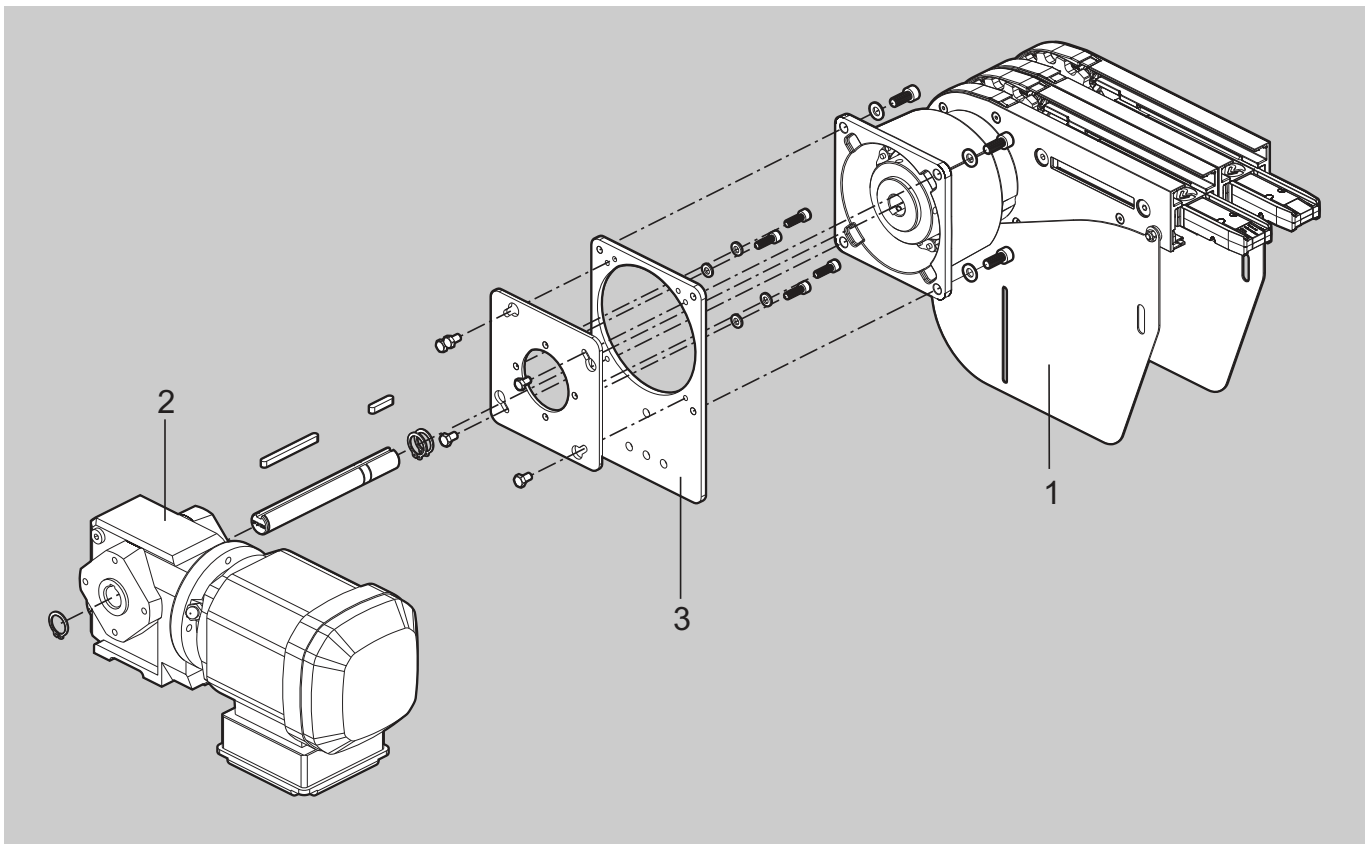


Technical information from FlexLink

5724EN-2

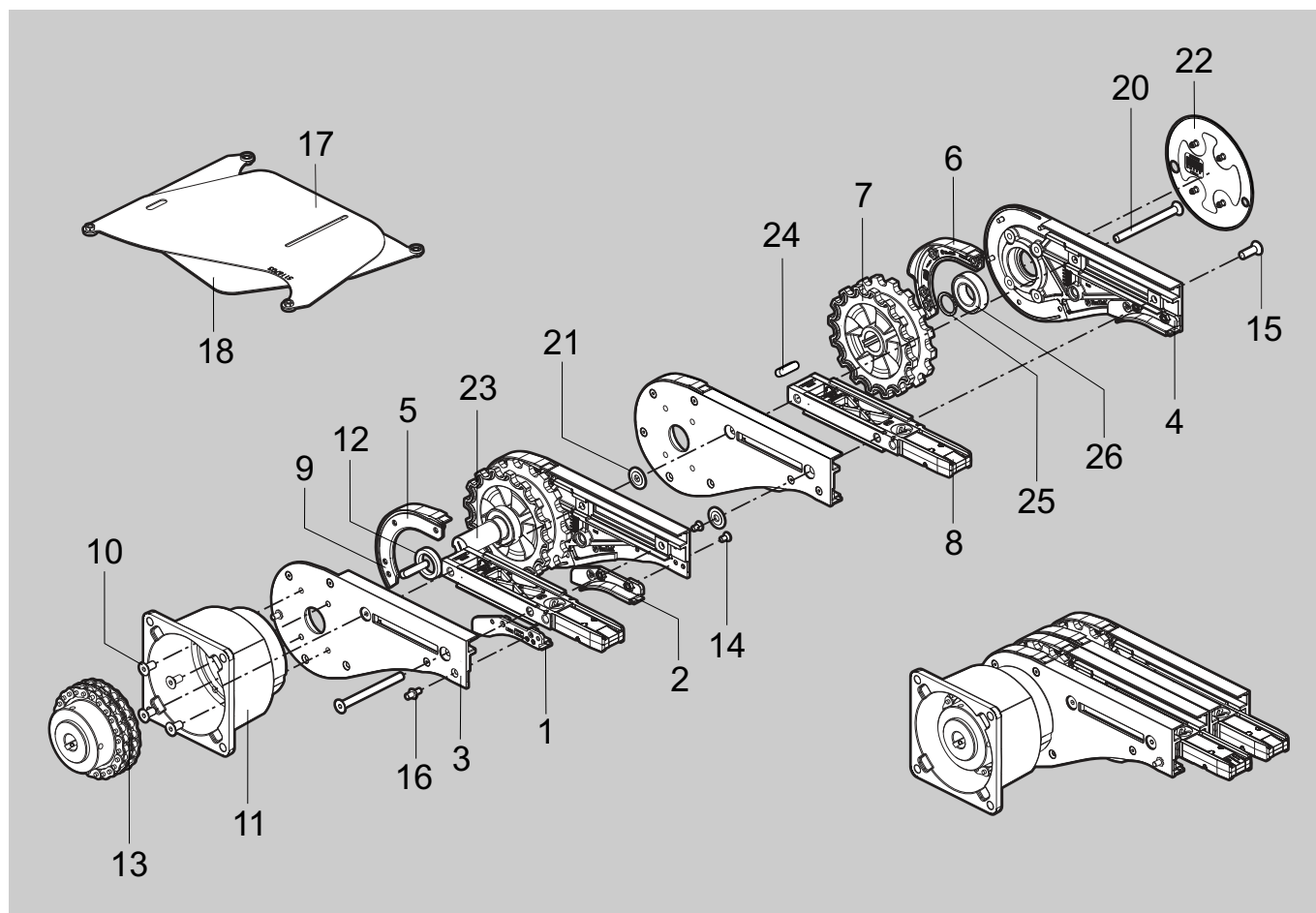
### XLEB A65HPD66 (direct drive, with slip clutch)

#### Complete unit XLEB A65HPD66



Item	Description	Part No	Qty	Comments	Recommended Spare parts
1	0-unit left 0-unit right	XLEB 0A65HLPD66 XLEB 0A65HRPD66	1	See next page	
2	Motor	See configuration	1		
3	Adapter plate	5117108	1	SA37 Incl. screw kit and shaft	

## 0-unit XLEB A65HPD66



Item	Description	Part No	Qty	Comments	Recommended Spare parts
1*	Guide L	(5116529)	2		
2*	Guide R	(5116528)	2		
3*	Side plate L	(5115755)	2		
4*	Side plate R	(5115744)	2		
5*	Steering guide L	(3920944)	2		
6*	Steering guide R	(3920945)	2		
7	Drive wheel	5111580	2	(3920946)	X
8	Frame	5116910	2		
9	Thin parallel key	DIN 6885 A h9	1	8x7x40	
10	Hexagon socket c-sunk screw	ISO 10642	4	M8x16-10.9-A2K	
11	Flange	3920084	1		
12	Spacer	3921652	1		
13	Slip clutch Ø25 mm	5054003	1	(3925774) ISO 08B 1/2"	
	-Slip clutch, Spare parts kit	5056817	1	Kit contains chain wheel, spring and ball.	X
14	Hexagon socket c-sunk screw	ISO 10642	18	M5x10-10.9-A2K	
15	Hexagon socket c-sunk screw	ISO 10642	1	M8x25-10.9-A2K	
16*	Distance screw	(3925718)	4	M5/M6	
17*	Slack protection L	(5116756)	1		
18*	Slack protection R	(5116757)	1		
20	Screw	ISO 10642	2	M8x100-10.9-A2K	
21	Washer	5044324	2		

Item	Description	Part No	Qty	Comments	Recommended Spare parts
22*	Cover plate, right slack Cover plate, left slack	(5116549) (5116550)	1		
23	Shaft	3926072	1		
24	Thin parallel key	DIN 6885 A h9	1	8x7x40	
25	Retaining ring	DIN 471	3	25 st	
26	Bearing	5046682	2		
*) 1+2	Guide kit	5117134	1		X
*) 3+4+22	Side plate kit	5117131	1		
*) 5+6	Steering guide kit	5111583	1		X
*) 16	Distance screw kit M5/M6	5111598	1	Kit contains 10 pcs	
*) 17+18	Slack protection kit	5117132	1		

This page is intentionally left blank

# SPARE PARTS

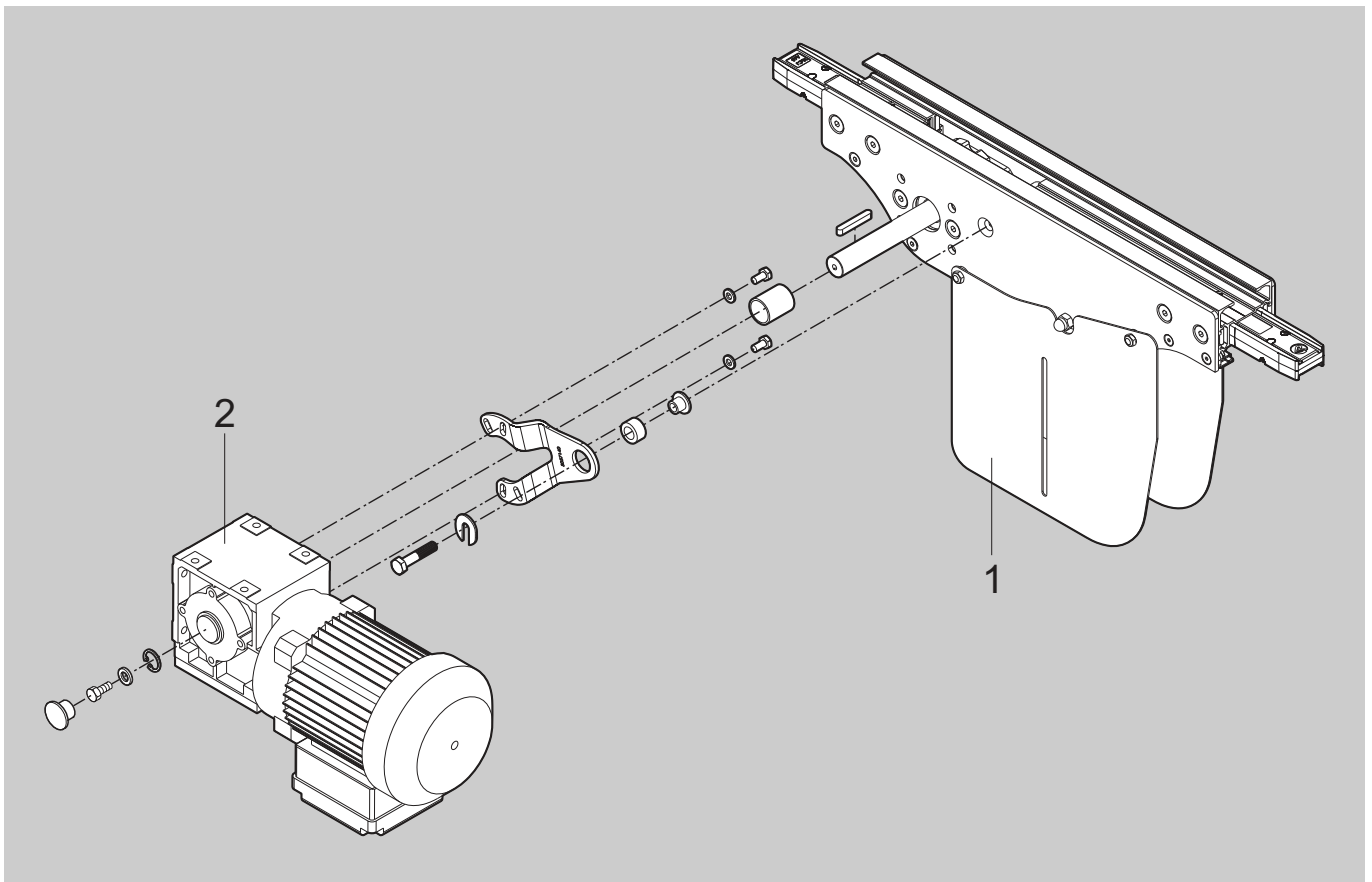
## Spare parts Intermediate drive unit XLER A65MNP

Technical information from FlexLink

5727EN-2

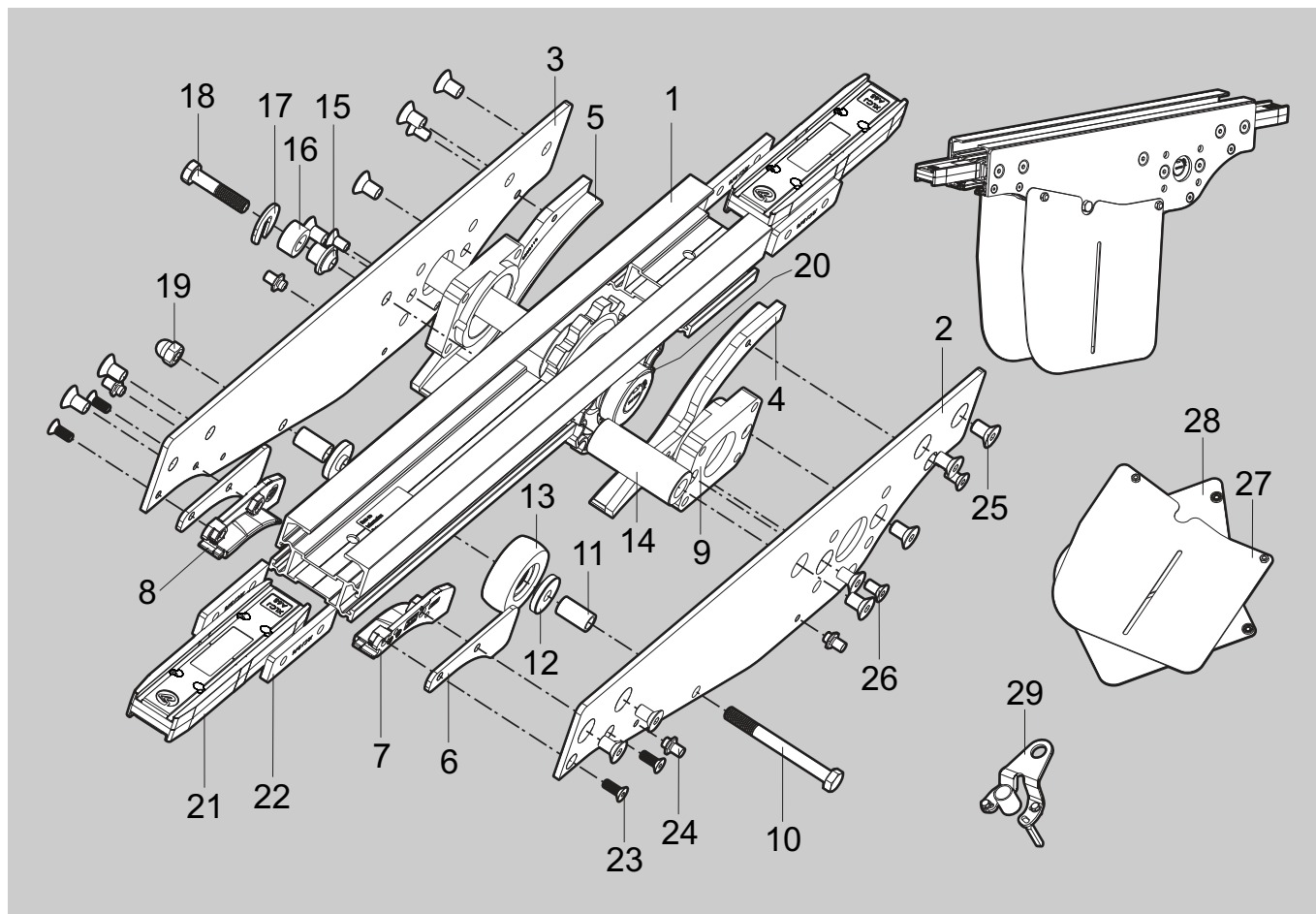
### XLER A65MNP (direct drive, without slip clutch)

Complete unit XLER A65MNP



Item	Description	Part No	Qty	Comments	Recommended Spare parts
1	0-unit left 0-unit right	XLER 0A65MNLP XLER 0A65MNRP	1	See next page	
2	Motor	See configuration	1		

## 0-unit XLER A65MNP



Item	Description	Part No	Qty	Comments	Recommended Spare parts
1	Beam	5116668	1		
2	Plate	5116572	1		
3	Plate	5116573	1		
4*	Steering guide R	(5116860)	1		
5*	Steering guide L	(5116861)	1		
6	Spacer	5117026	2		
7*	Guide R	(5116485)	1		
8*	Guide L	(5116486)	1		
9	Bearing housing	5116475	2		
10	Hexagon head bolt	ISO 4014	1	M8x80-8.8-A2K	
11	Distance piece	5116858	2		
12	Washer	5114855	2		
13	Wheel	5057414	1	1153-0 HPI-50 NK/K	
14	Spacer	5116555	1		
15*	Sleeve	(5043873)	1		
16*	Absorber	(5043874)	1		
17*	Washer torque arm	(5056635)	1		
18*	Hex head screw	ISO 4014	1	M8x40-8.8-A2K	
19	Hexagon domed cap nut	DIN 1587	1	M8-A2K	
20	Drive wheel kit	5117041	1	Incl. drive shaft, wedge, drive wheel, retaining rings, bearings.	
21	Connecting bracket kit	XL CJ A65	2		

Item	Description	Part No	Qty	Comments	Recommended Spare parts
22	Connecting strip	XLCJ 5X76	4		
23	Hexagon socket c-sunk screw	ISO 10642	4	M5x14-10.9-A2K	
24	Distance screw	5116865	4		
25	Hexagon socket c-sunk screw	ISO 10642	13	M8x14-10.9-A2K	
27*	Slack protection	(5116834)	1		
28*	Slack protection	(5116833)	1		
29	Torque arm kit SA37	5057039	1		
*) 4+5	Steering guide kit	5117150	1	L+R X65	X
*) 7+8	Guide kit	5117119	1	L+R X65	X
*) 15+16+17+18	Absorber kit	5111548	1		
*) 27+28	Slack protection kit	5117148	1	L+R X65	

This page is intentionally left blank

# SPARE PARTS

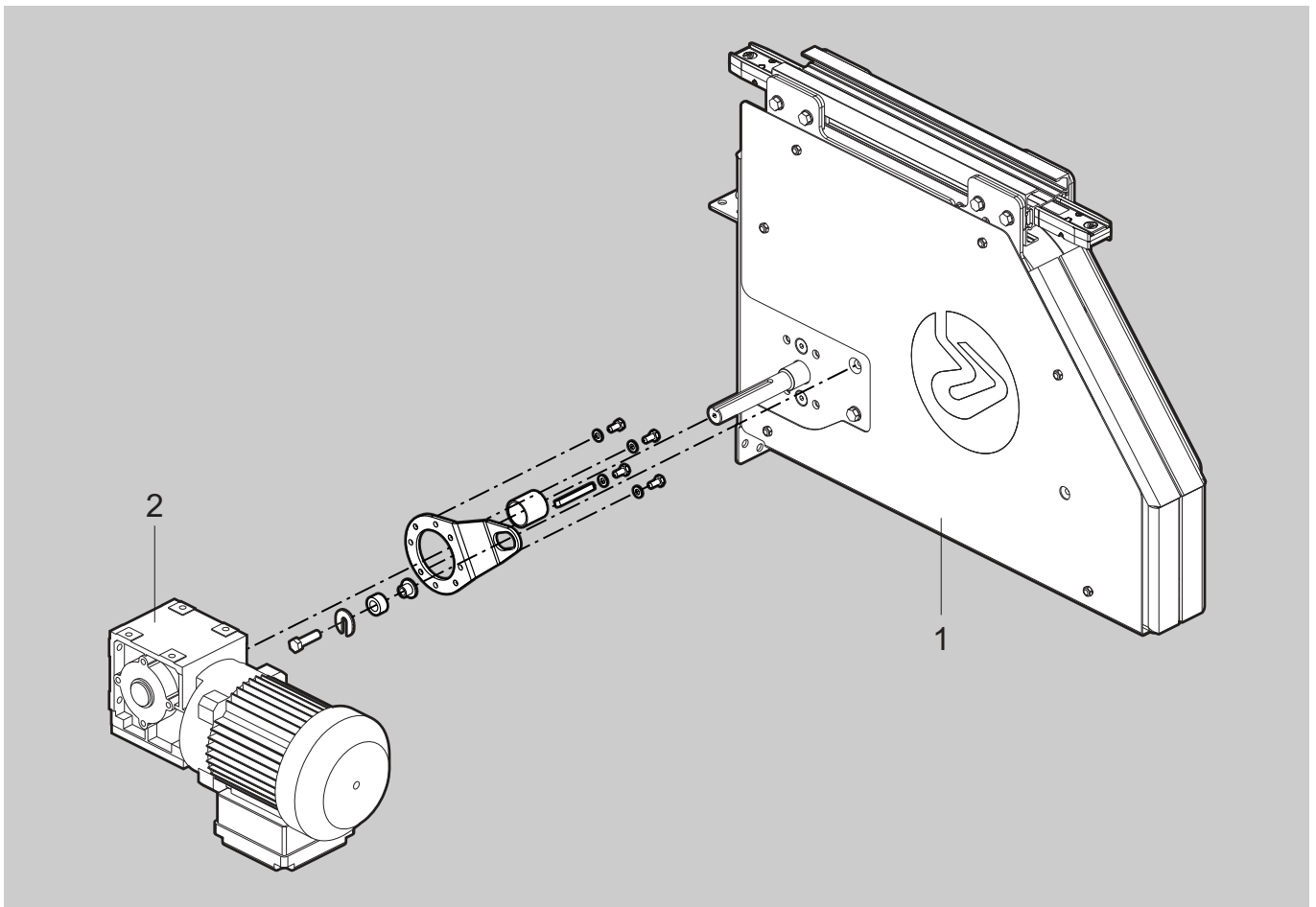
## Spare parts Intermediate drive unit XLER A65HNP

Technical information from FlexLink

5726EN-2

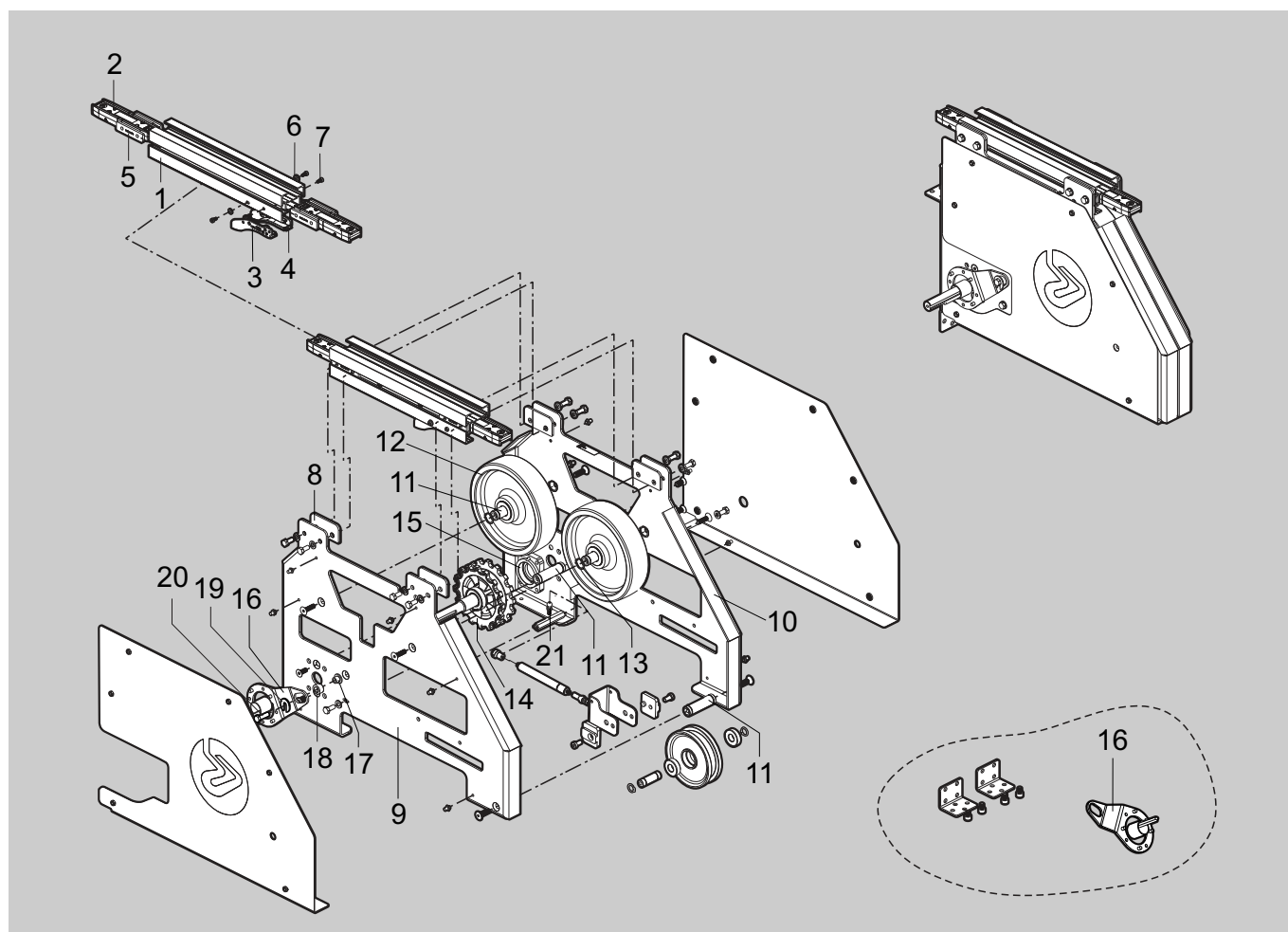
### XLER A65HNP (direct drive, without slip clutch)

Complete unit XLER A65HNP



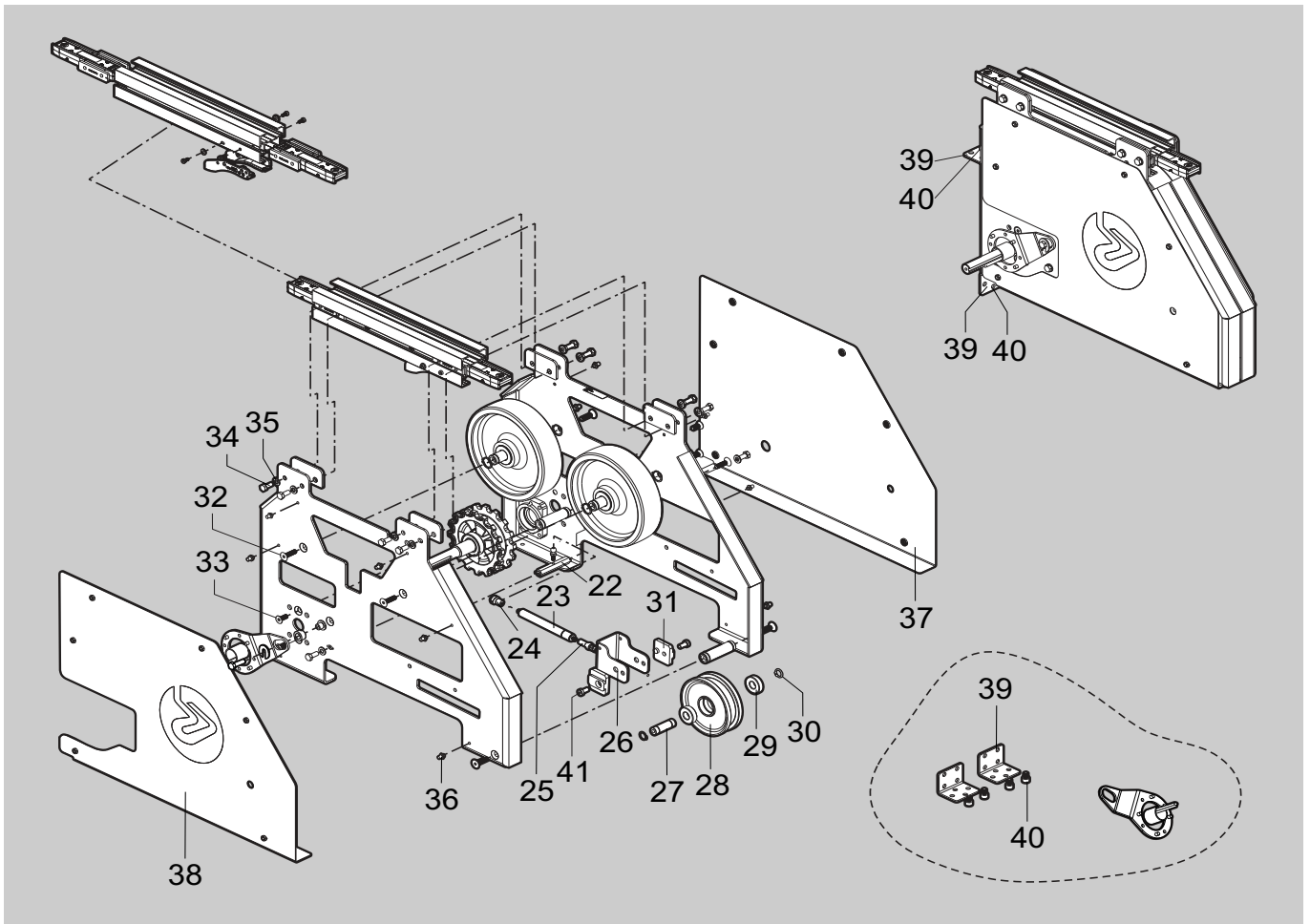
Item	Description	Part No	Qty	Comments	Recommended Spare parts
1	0-unit left 0-unit right	XLER 0A65HNLP XLER 0A65HNRP	1	See next page	
2	Motor	See configuration	1		

## 0-unit XLER A65HNP 1(2)



Item	Description	Part No	Qty	Comments	Recommended Spare parts
1	Beam	5117006	1		
2	Connecting bracket kit	XLCJ A65	2		
3*	Guide L	(5116529)	1		
4*	Guide R	(5116528)	1		
5	Connecting strip	XLCJ 5X76	4		
6	Washer	ISO 7089	2	6,4x12x1,6-A2K	
7	Hexagon socket head cap screw	DIN 7984	4	M5x10-8.8-A2K	
8	Spacer	5117005	4		
9	Plate	5116359	1		
10	Plate	5116675	1		
11	Shaft	5116368	4		
12*	Wheel	UAP	2	200x50-20 Tente	
13	Retaining ring	DIN 471	4	20 A2	
14*	Drive wheel	5111580	1	(3920946) Only wheel	X
15	Bearing housing	5116475	2		
16	Torque arm kit SA37	5057039	1		
17*	Sleeve	(5043873)	1		
18*	Absorber	(5043874)	1		
19*	Washer torque arm	(5056635)	1		
20*	Hex head screw	ISO 4014	1	M8x40-8.8-A2K	
21	Ball link	5116693	1		

## 0-unit XLER A65HNP 2(2)



Item	Description	Part No	Qty	Comments	Recommended Spare parts
22	Connecting sleeve	5116364	1		
23	Gas spring		1	15-6 L 236-105-40	
24	Fitting	5116691	1		
25	Fitting	5116692	1		
26	Bracket	5116365	1		
27	Shaft	5116369	1		
28*	Idler wheel	(5116696)	1		
29*	Bearing	6202-22	2		
30	Retaining ring	DIN 471	2	5 A2	
31*	Bushing	(5116363)	2		
32	Hexagon socket c-sunk screw	ISO 10642	7	M8x30-10.9-A2K	
33	Hexagon socket c-sunk screw	ISO 10642	4	M8x20-10.9-A2K	
34	Hexagon head bolt	ISO 4017	10	M8x18-8.8-A2K	
35	Washer	ISO 7089	10	8,4x16x1,6-A2K	
36	Distance screw	5116865	12		
37	Slack protection, HNRP Slack protection, HNLP	5116987 5117051	1		
38	Slack protection, HNRP Slack protection, HNLP	5116988 5117050	1		
39	Support bracket	5116990	2		
40	Hexagon socket head cap screw	ISO 4762	4	M8x12 A4	
41	Hexagon socket head cap screw	DIN 7984	2	M8x16-8.8-A2K	

\* For spare parts kit- see next page

Item	Description	Part No	Qty	Comments	Recommended Spare parts
*) 3+4	Guide kit	5117134	1		X
*) 12	Wheel kit XLER H X65	5117157	1	Kit contains 1 wheel	
*) 14	Drive wheel kit XLER H X65	5117159	1	Incl. shaft, drive wheel, thin parallel key, bearings, retaining rings.	
*) 17+18+19+20	Absorber kit	5111548	1		
*) 28+29	Idler wheel kit	5117160	1		
*) 31	Bushing kit XLER H X65	5117156	1	Kit contains 2 pcs	

# SPARE PARTS

## Spare parts Horizontal bend drive unit XLEW 18/A65HNP

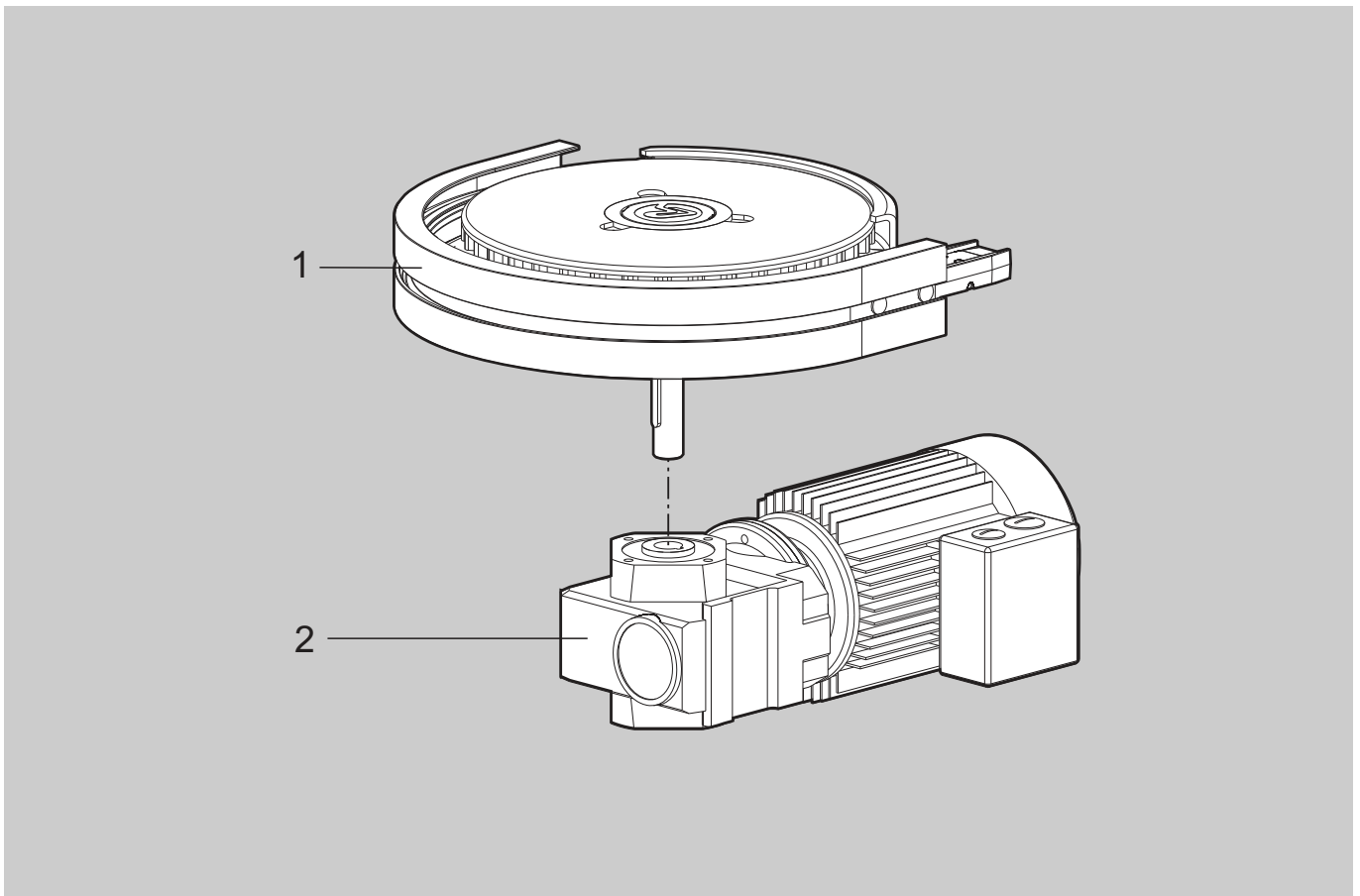


Technical information from FlexLink

5728EN-2

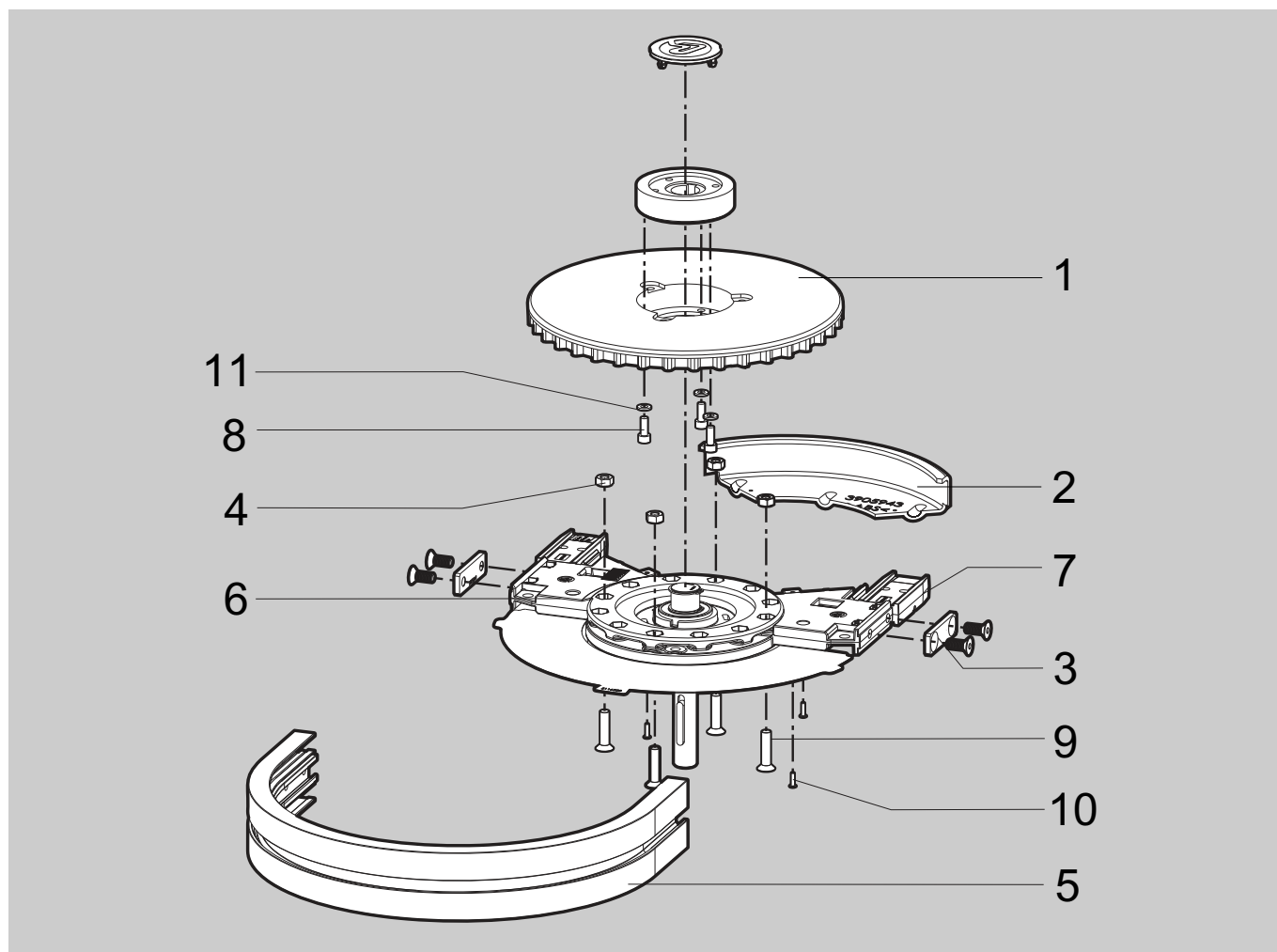
### XLEW 18/A65HNP (direct drive, without slip clutch)

Complete unit XLEW 18/A65HNP



Item	Description	Part No	Qty	Comments	Recommended Spare parts
1	0-unit left	XLEW 18/0A65HNP	1	See next page	
2	Motor	See configuration	1		

## 0-unit XLEW 18/A65HNP



Item	Description	Part No	Qty	Comments	Recommended Spare parts
1	Drive wheel	3901174	1		
2	Wheel bend	5116866	1		
3	T-slot washer kit	XCAQ 20X64 CA	2		
4	Hexagon nut	ISO 4032	4	M8-A2K	
5	Outer bend	XLBE 180A65R150	1		
6	Wheel bend bracket	5116601	1		
7	Wheel bend bracket	5116602	1		
8	Hexagon socket head cap screw	ISO 4762	3	M6x16-8.8-A2K	
9	Hexagon socket c-sunk screw	ISO 10642	4	M8x35-10.9-A2K	
10	Blind rivet	ISO 14588	4	3,2 X 12	
11	Washer	ISO 7089	3	6,4x12x1,6-A2K	

# SPARE PARTS

## Spare parts Horizontal bend drive unit XLEW 18/A65HP

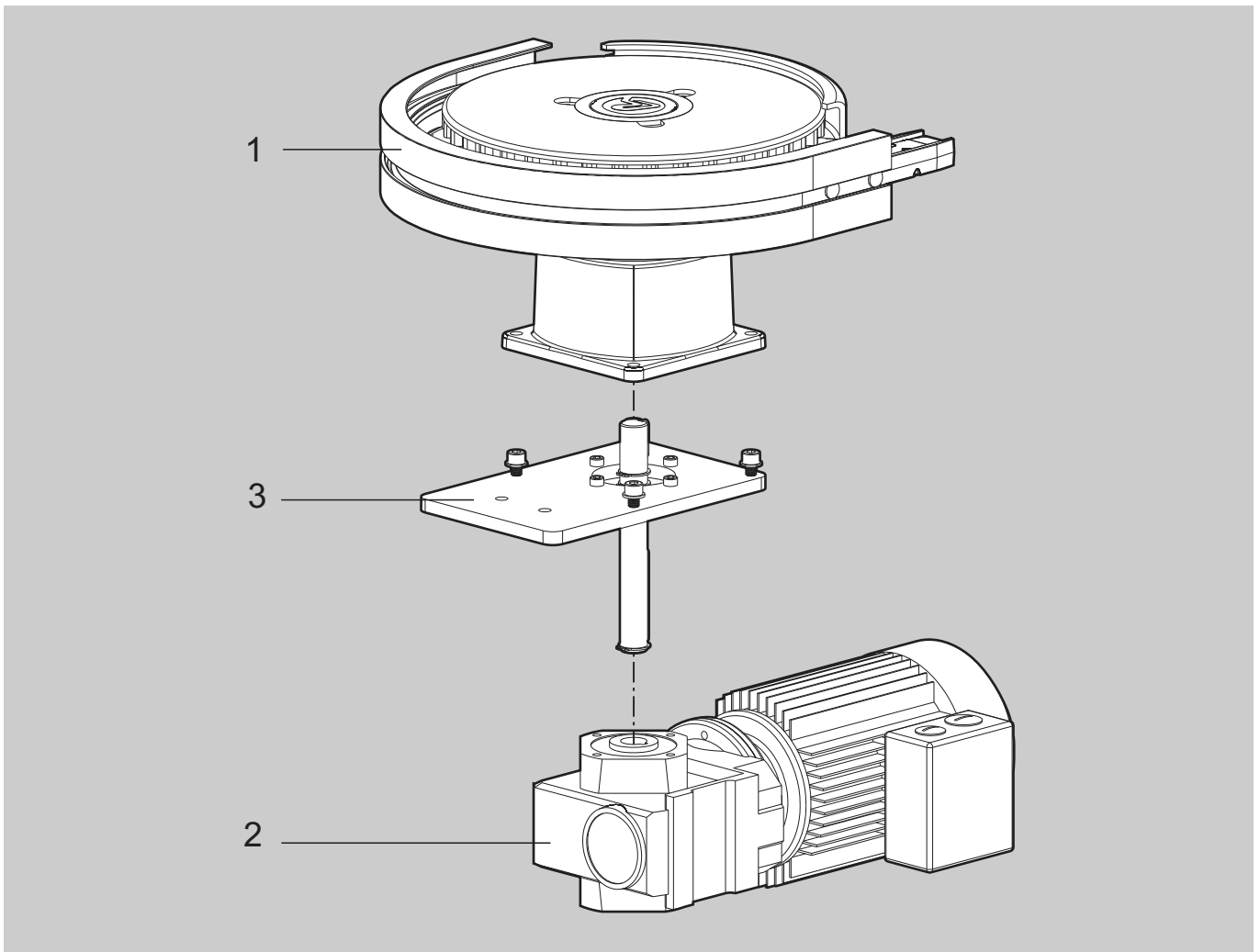


Technical information from FlexLink

5729EN-2

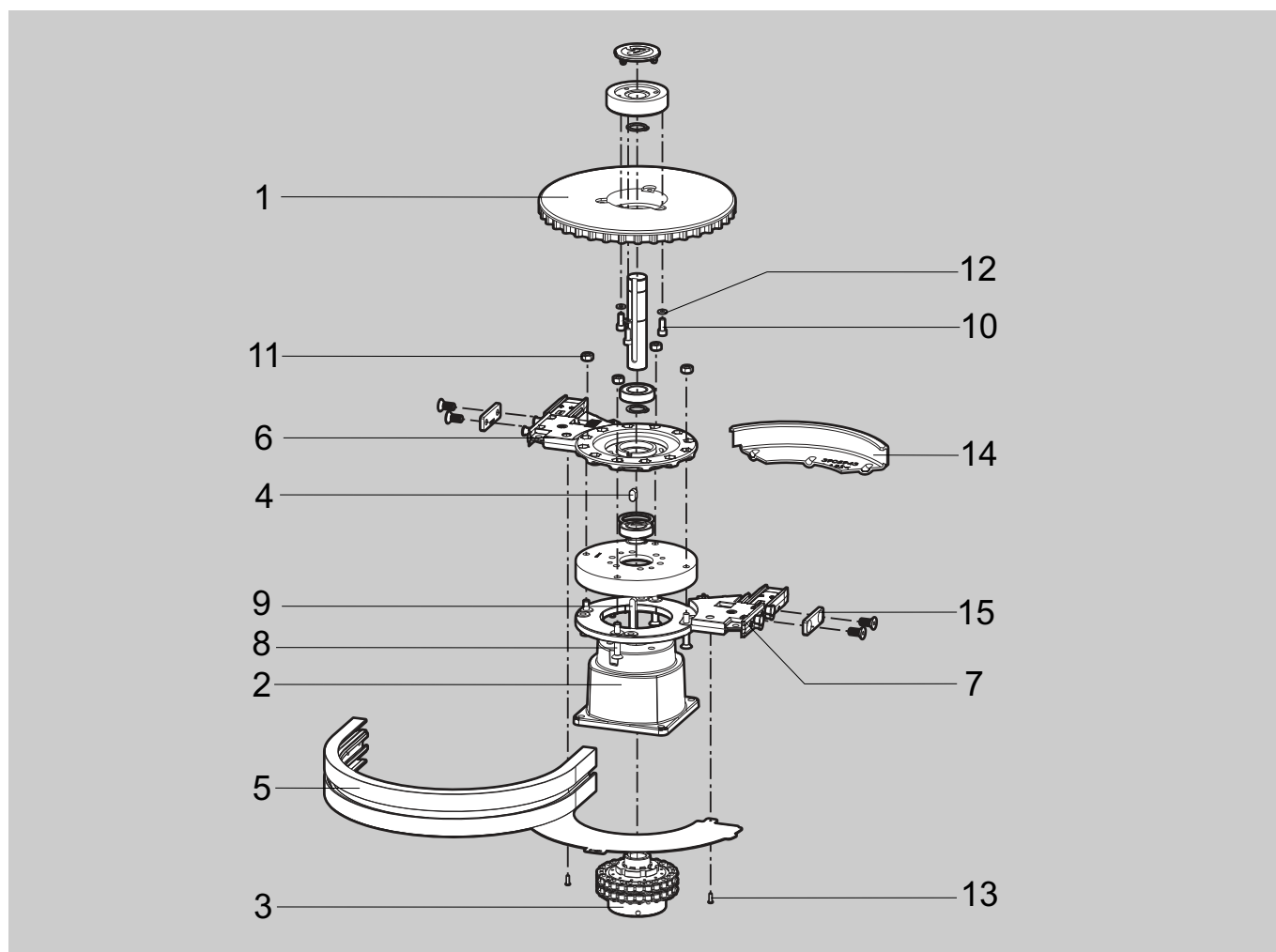
### XLEW 18/A65HP (direct drive, with slip clutch)

Complete unit XLEW 18/A65HP



Item	Description	Part No	Qty	Comments	Recommended Spare parts
1	0-unit	XLEW 18/0A65HP	1	See next page	
2	Motor	See configuration	1		
3	Adapter plate	5117108	1	For SEW SA37 gear motor	

## 0-unit XLEW 18/A65HP



Item	Description	Part No	Qty	Comments	Recommended Spare parts
1	Drive wheel	3901174	1		
2	Flange	3920084	1		
3	Slip clutch Ø25mm	5054003	1	(3925774) ISO 08B 1/2"	
	-Slip clutch, Spare parts kit	5056817	(1)	Incl. cup spring, ball, chain wheel.	X
4	Thin parallel key	DIN 6885 A h9	1	8x7x16	
5	Outer bend	XLBE 180A65R150	1		
6	Wheel bend bracket	5116601	1		
7	Wheel bend bracket	5116602	1		
8	Hexagon socket c-sunk screw	ISO 10642	4	M8x50-10.9-A2K	
9	Thin parallel key	DIN 6885 A h9	1	8x7x50	
10	Hexagon socket head cap screw	ISO 4762	3	M6x16-8.8-A2K	
11	Hexagon nut	ISO 4032	4	M8-A2K	
12	Washer	ISO 7089	3	6,4x12x1,6-A2K	
13	Blind rivet	ISO14588	4	3,2 X 12	
14	Wheel bend	5116609	1	Kit	
15	T-slot washer kit	XCAQ 20X64 CA	2		

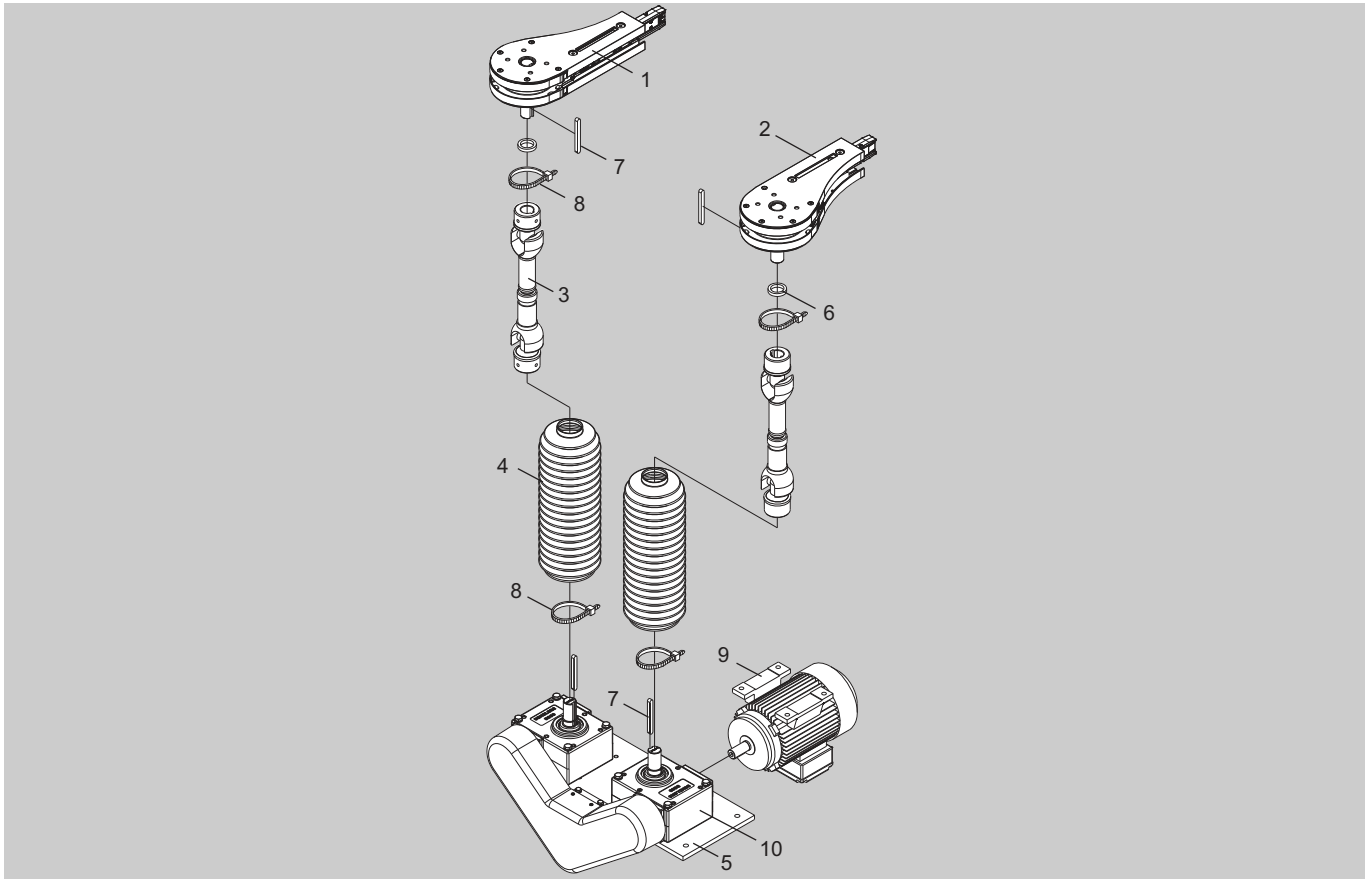
# SPARE PARTS

## Spare parts Synchronous drive unit XLED A65H



Technical information from FlexLink

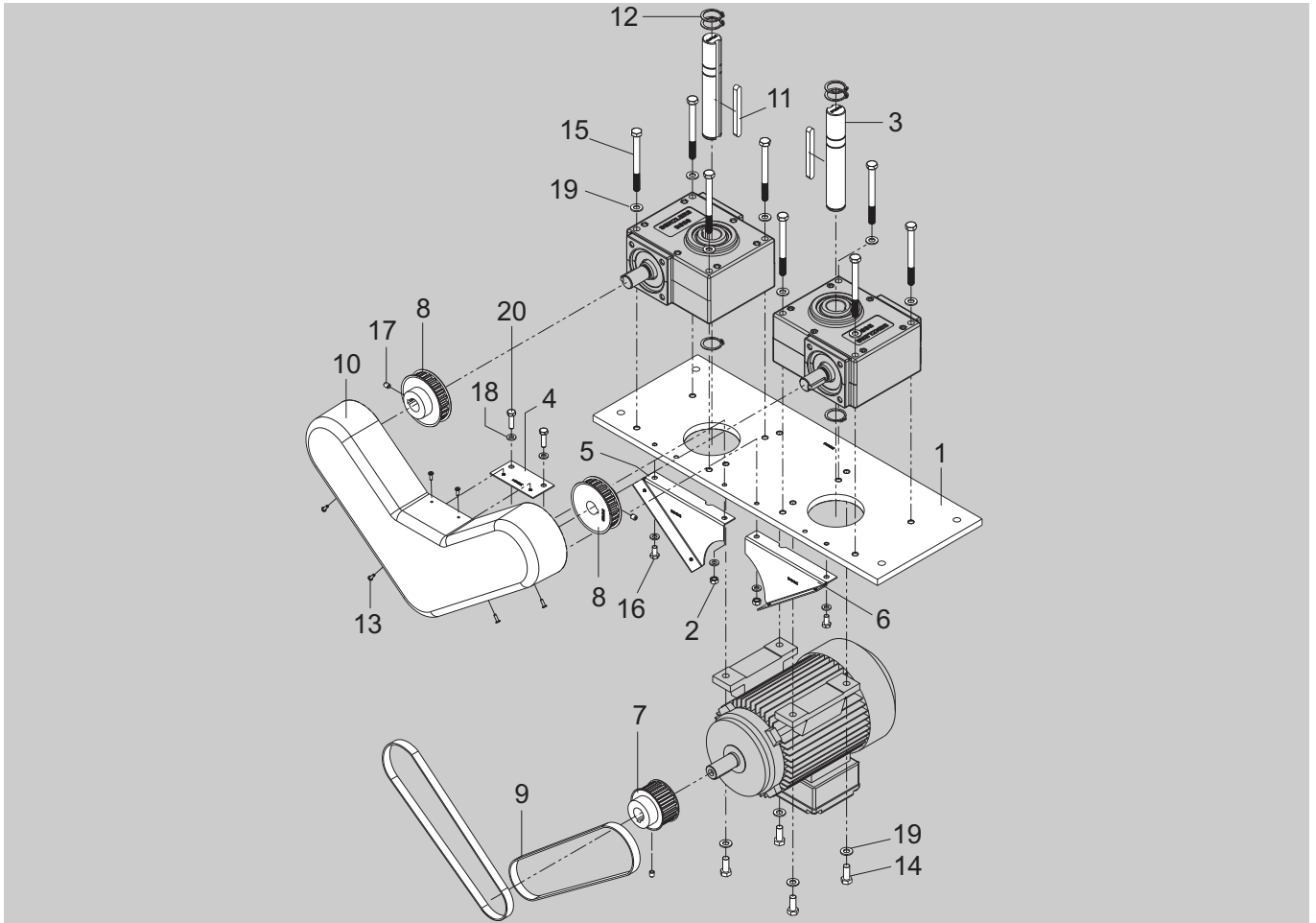
### Complete unit XLED A65H



Item	Description	Part No	Qty	Comments	Recommended Spare parts
		XLEB 0A65HLGU	1	See next page	
		XLEB 0A65HRGU	1	See next page	
3	Sliding element	SUC 930 100 480	2		
4	Protecting bellows	3926663	2		
5	Synchronous unit	5046275		5 m/min	
		5046276		10 m/min	
		5046277		15 m/min	
		5046278		18 m/min	
		5046279	1	22 m/min	
		5046280		27 m/min	
		5046281		35 m/min	
		5046282		45 m/min	
	5046283		55 m/min		
6	Spacer	3921652	2		
7	Thin parallel key	DIN 6885 A h9 8x7x40	4		
8	Cable tie			280X4,5 mm black	
9	Motor		1		
10	Gear box	B 10.5:1	2	Benzler	



0-unit XLED A65H



Item	Description	Part No	Qty XLED # H							Comments	Rec. SPC			
			5	10	15	18	22	27	35			45	55	
1	Holder plate	3904045					1							
2	Hexagon nut	ISO 4032 M6-A2K					2							
3	Shaft	3926513					2				Ø25 mm			
4	Bracket	3904041					1							
5	Bracket	3904042					1							
6	Bracket	3904043					1							
7	Sprocket wheel	3927321 3904040	1 -	1 -	1 -	- 1	1 -	- 1	1 -	1 -	- 1	Z1		x
8	Sprocket wheel	3927320 3904039	2 -	2 -	2 -	- 2	2 -	- 2	2 -	2 -	- 2	Z2		x
9	Belt	240 L-050					2							x
10	Belt shield	3904044					1							
11	Thin parallel key	DIN 6885 A h9 8x7x80					2							
12	Retaining ring	DIN 471 25St					6							
13	Blind rivet	48 BS 3,2 x 9,7					6							
14	Hexagon head bolt	ISO 4017 M8x20-8.8-A2K					4							
15	Hexagon head bolt	ISO 4014 M8x90-8.8-A2K					8							
16	Hex head screw	ISO 4017 M6x12-8.8-A2K					2							
17	Slotted set screw	ISO 4029 M6x8-A2K					3							
18	Washer	ISO 7089 6,4x12x1,6-A2K					6							
19	Washer	ISO 7089 8,4x16x1,6-A2K					12							
20	Hexagon head bolt	ISO 4017 M6x22-8.8-A2K					2							



# SPARE PARTS

## dsSpare parts Idler end units X65

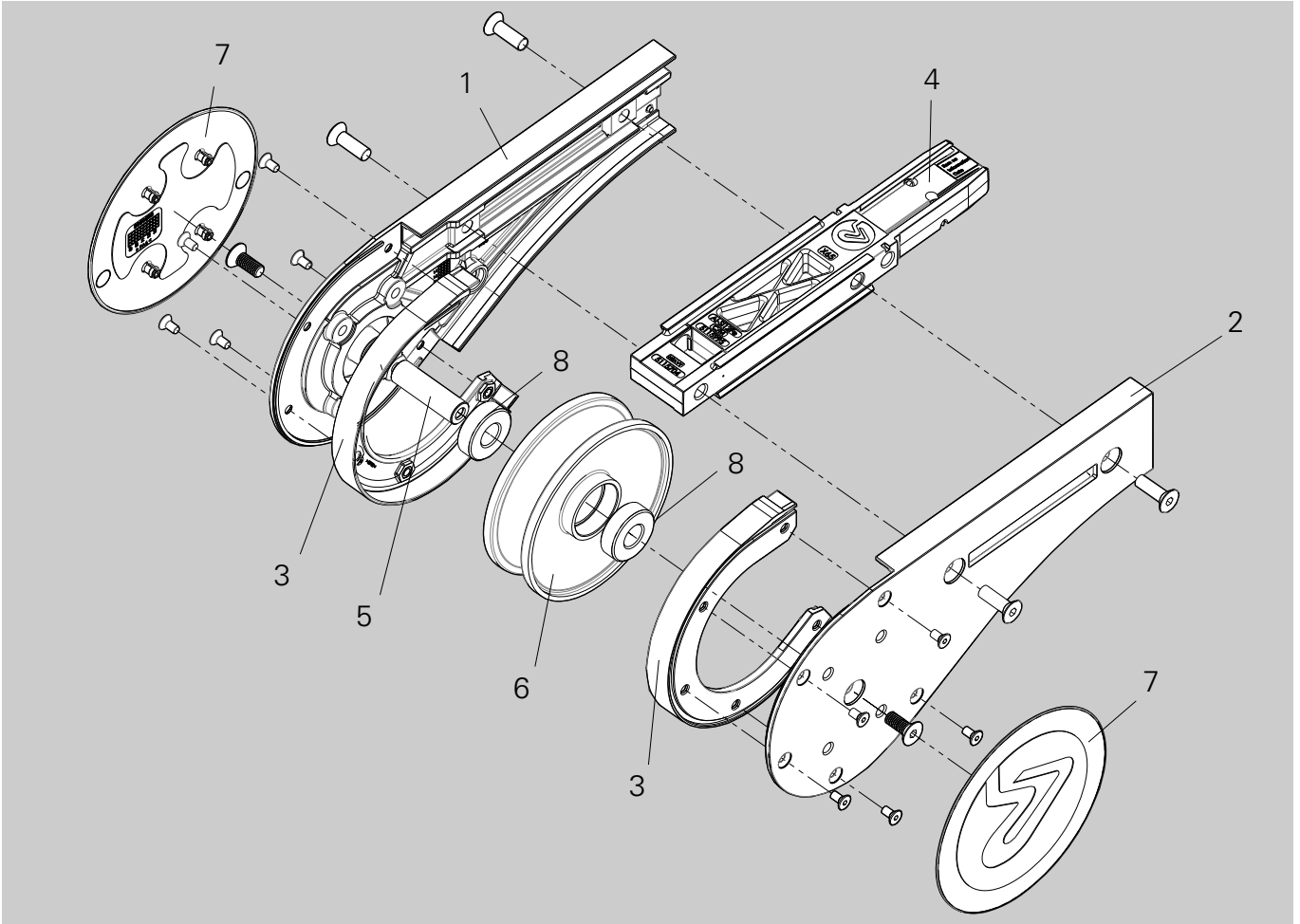


a coesia company

5719EN-2

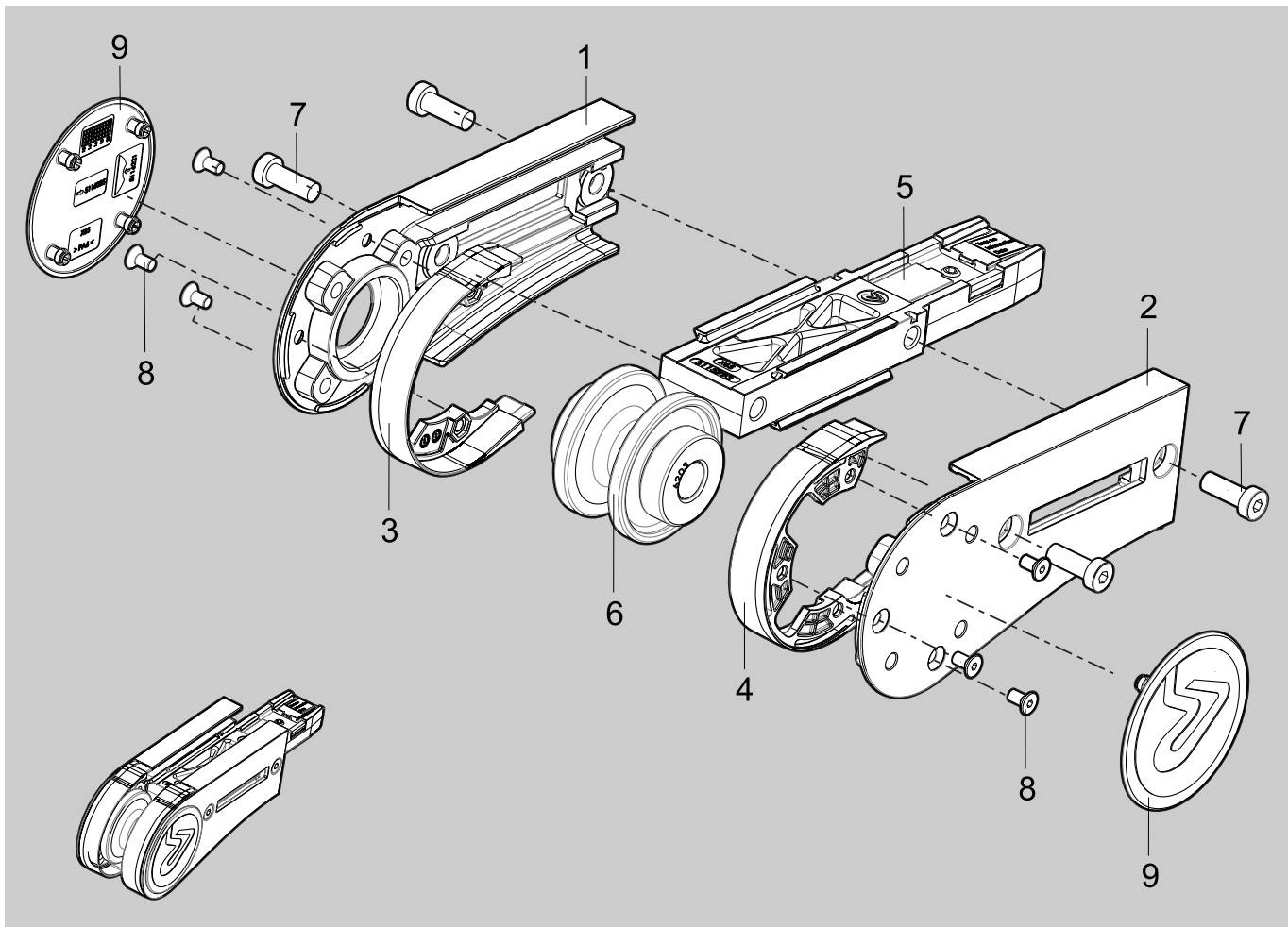
Technical information from FlexLink

### Idler end unit XLEJ A65



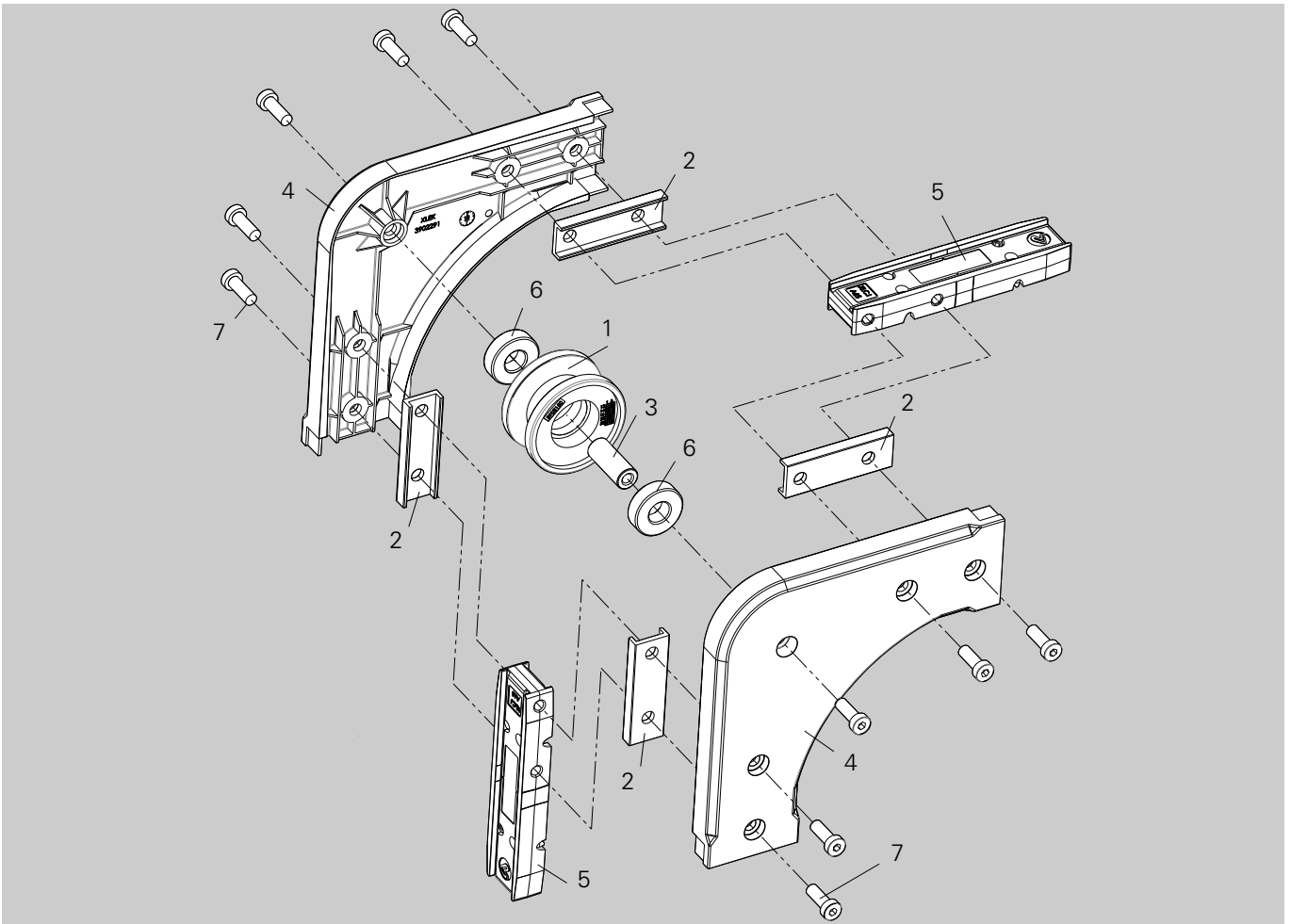
Item	Description	Part No	Qty	Comments	Recommended Spare parts
1*	Side plate	(5115914)	1		
2*	Side plate	(5115916)	1		
3	Steering guide Kit L+R	5111588	1	(3924518)	X
4	Frame	5115704	1		
5	Shaft	3921217	1		
6	Wheel	5111595	1	(3921160)	X
7*	Cover plate	(5059568)	2		
8	Bearing	6202-2Z	2		
*)1+2+7	Side plate kit L+R X65	5117163	1		

## Idler end unit Type S XLEJ A65 S



Item	Description	Part No	Qty	Comments	Recommended Spare parts
1*	Side plate	(5116063)	1		
2*	Side plate	(5116064)	1		
3*	Steering guide L	(5116134)	1		
4*	Steering guide R	(5116135)	1		
5	Frame	5115994	1		
6	Assembly kit for XL Idler end	5111573	1		X
7	Hexagon socket head cap screw	DIN 7984	4	M8x22-8.8 A2K	
8	Hexagon socket c-sunk screw	ISO 10642	6	M5x10-10.9 A2K	
9*	Cover	5116025	2		
*) 3+4	Steering guide Kit L+R	5117125	1		X
*) 1+2+9	Side plate kit L+R X65	5117126	1		

# Idler bend unit, 90° XLEK 90A65



Item	Description	Part No	Qty	Comments	Recommended Spare parts
1	Idler wheel*	FLX1005285	1		X
2	Spacer	5116921	4		
3	Shaft*	3902201	1		
4	Side plate	3902291	2		
5	Connecting bracket	5116919	2		
6	Bearing*	6202-2Z	2		
7	Hexagon socket head cap screw	5116533	10		
1, 3, 6	Wheel kit	5111573	1		

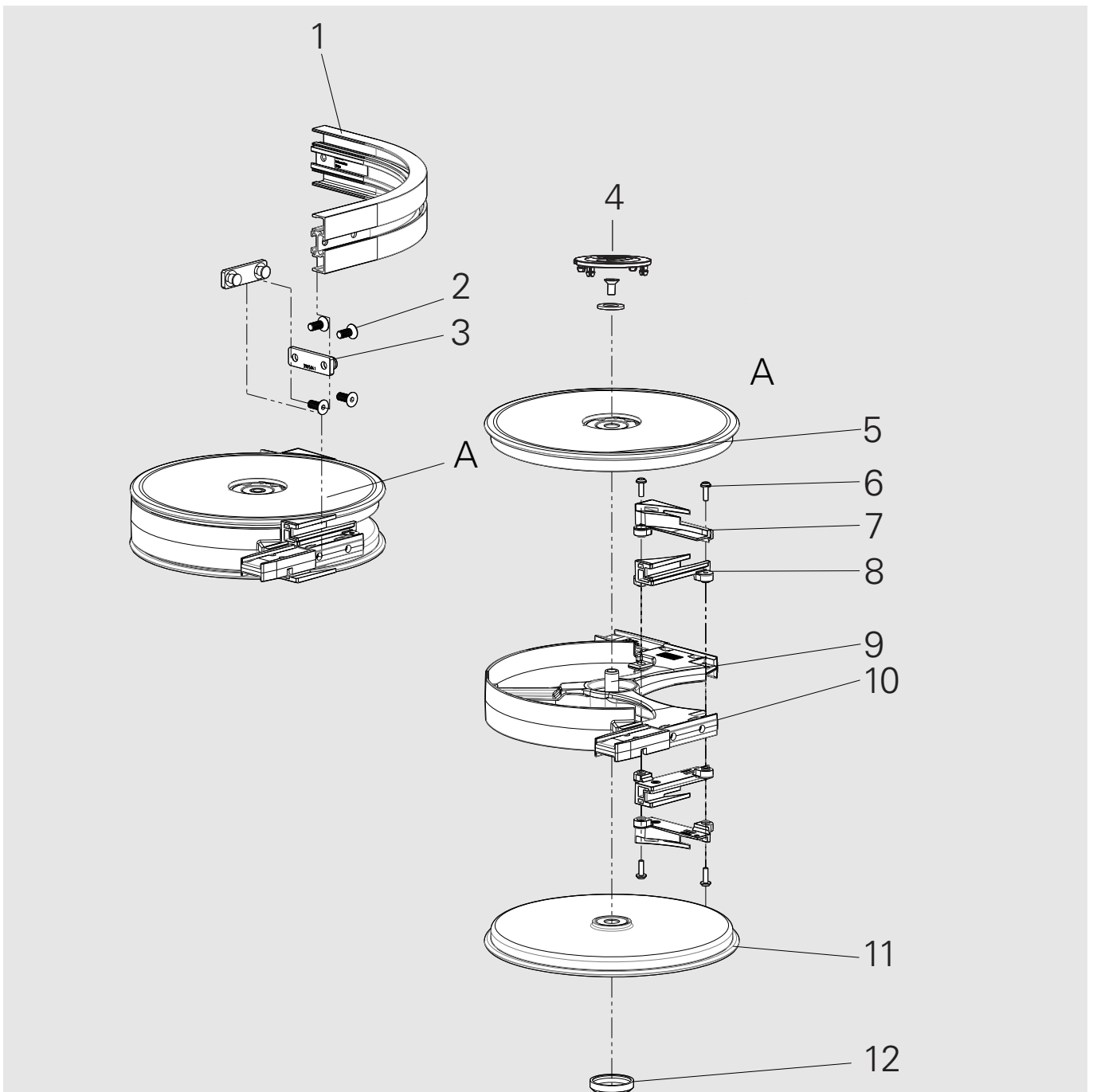


Wheel bends XLBH\_A65R150

Revision list

Document designation	Date	Type of revision	Entered by
5734EN-1	13-04-26	Initial version	JE
5734EN-2	21-06-30	Updated logo and list	TG

Complete wheel bend





# SPARE PARTS

## Spare parts Basic locating module XLUL 11



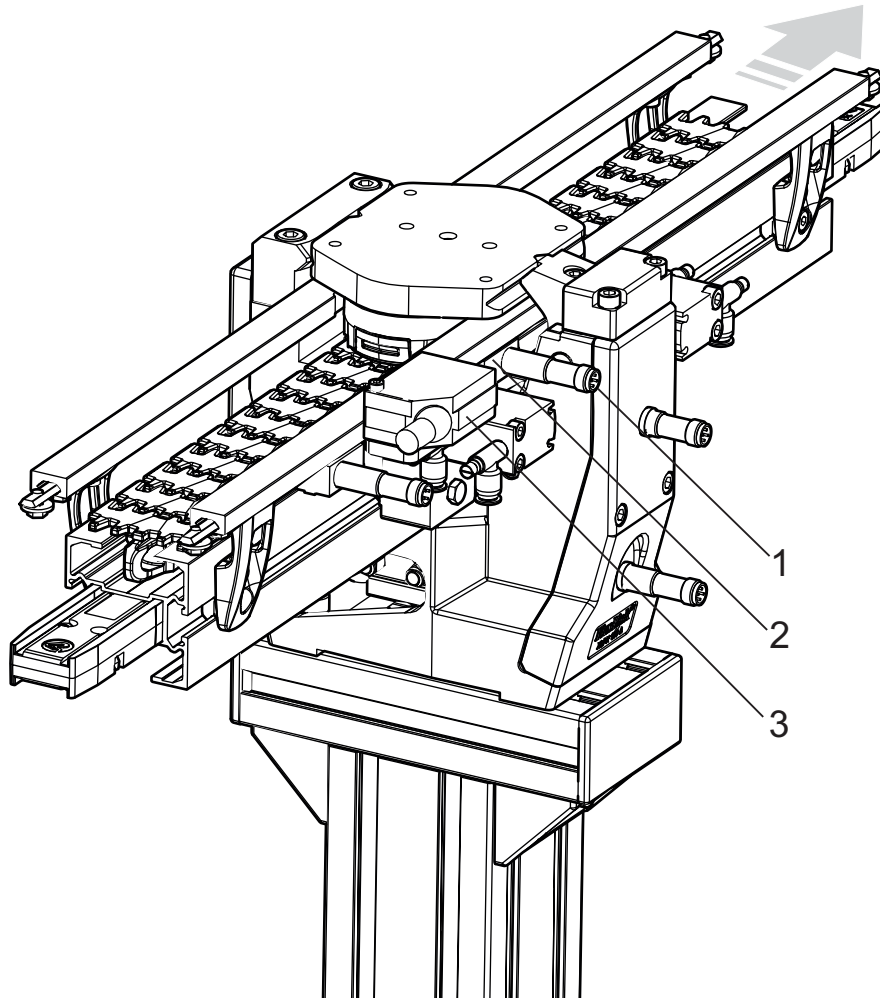
Technical information from FlexLink

5735EN-2

### Basic locating module XLUL 11

#### Revision list

Document designation	Date	Type of revision	Entered by
5735EN-1	13-04-29	Initial version	JE
5735EN-2	21-06-30	Updated logo, illustraion and list	TG



Item	Description	Part No	Qty	Comments	Recommended Spare parts
1	Sensor	IM12-08NPS-ZC1		SICK, pre-stop initiator	
2	Sensor bracket	XLPB 12 H			
3	RFID reader/writer	DTA100		IFM Electronic	



# SPARE PARTS

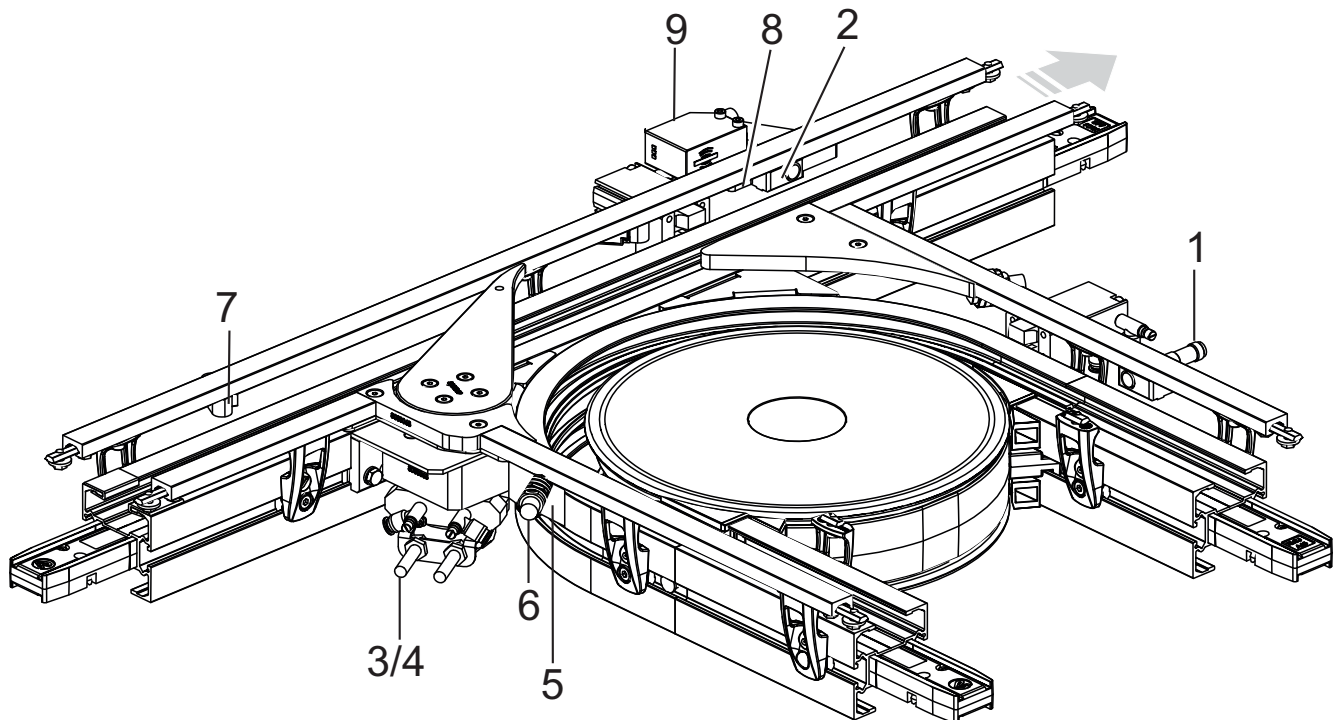
## Spare parts

### Divert and merge modules

## XLUT 45/90 D, XLUT 45/90 M, XLUT 45/90 C

### Revision list

Document designation	Date	Type of revision	Entered by
5736EN-1	13-04-29	Initial version	JE
5736EN-1	21-06-30	Updated logo, illustration and list	TG



Item	Description	Part No	Qty	Comments	Recommended Spare parts
1	Sensor	IM12-08NPS-ZC1	2	SICK, pre-stop initiator	
2	Sensor bracket	XLPB 12 H	2		
3	Sensor	SIEN-M8BPS-S-L	2	Festo (posof diverter arm)	
4	Connector	7000-42201-0000000	1	Murr	
5	Bracket	8050137	2	for SICK photo eye	
6	Sensor	GRL18S-P2336	2	Optic, SICK (pallet route)	
7	Reflector	8050114	2	X65P	
8	RFID bracket	8050112	1	X65P	
9	RFID reader/writer	DTA100	1	IFM Electronic	



# Product designations in alphanumeric order

(3920944) .....	21	(5059568) .....	14	(5116528) .....	24	3902291 .....	49
(3920944) .....	24	(5059568) .....	16	(5116528) .....	28	3904324 .....	20
(3920944) .....	28	(5059568) .....	47	(5116528) .....	3	3920084 .....	16
(3920944) .....	3	(5115720) .....	52	(5116528) .....	36	3920084 .....	2
(3920945) .....	10	(5115744) .....	10	(5116529) .....	10	3920084 .....	28
(3920945) .....	21	(5115744) .....	21	(5116529) .....	21	3920084 .....	42
(3920945) .....	24	(5115744) .....	24	(5116529) .....	24	3921099 .....	19
(3920945) .....	28	(5115744) .....	28	(5116529) .....	28	3921103 .....	20
(3920945) .....	3	(5115744) .....	3	(5116529) .....	3	3921104 .....	20
(3920946) .....	28	(5115755) .....	10	(5116529) .....	36	3921105 .....	20
(3921160) .....	47	(5115755) .....	21	(5116549) .....	10	3921217 .....	47
(3924518) .....	14	(5115755) .....	24	(5116549) .....	2	3921581 .....	19
(3924518) .....	17	(5115755) .....	28	(5116549) .....	25	3921638 .....	19
(3924518) .....	44	(5115755) .....	3	(5116549) .....	29	3921652 .....	16
(3924518) .....	47	(5115914) .....	47	(5116550) .....	10	3921652 .....	2
(3925718) .....	10	(5115916) .....	47	(5116550) .....	2	3921652 .....	28
(3925718) .....	2	(5116045) .....	6	(5116550) .....	25	3926072 .....	29
(3925718) .....	24	(5116045) .....	8	(5116550) .....	29	5044324 .....	24
(3925718) .....	28	(5116046) .....	6	(5116696) .....	37	5044324 .....	28
(3925718) .....	6	(5116046) .....	8	(5116752) .....	6	5044661 .....	25
(3925718) .....	8	(5116052) .....	14	(5116752) .....	8	5044948 .....	19
(3925774) .....	16	(5116052) .....	17	(5116753) .....	6	5045636 .....	25
(5043873) .....	10	(5116052) .....	44	(5116753) .....	8	5046682 .....	25
(5043873) .....	14	(5116053) .....	14	(5116756) .....	10	5046682 .....	29
(5043873) .....	24	(5116053) .....	17	(5116756) .....	2	5052769 .....	20
(5043873) .....	32	(5116053) .....	44	(5116756) .....	24	5054003 .....	16
(5043873) .....	36	(5116063) .....	48	(5116756) .....	28	5054003 .....	2
(5043874) .....	10	(5116064) .....	48	(5116757) .....	10	5054003 .....	28
(5043874) .....	14	(5116113) .....	6	(5116757) .....	2	5054003 .....	42
(5043874) .....	24	(5116113) .....	8	(5116757) .....	24	5056817 .....	16
(5043874) .....	32	(5116134) .....	48	(5116757) .....	28	5056817 .....	2
(5043874) .....	36	(5116135) .....	48	(5116759) .....	52	5056817 .....	20
(5043874) .....	6	(5116136) .....	6	(5116833) .....	33	5056817 .....	28
(5043874) .....	8	(5116136) .....	8	(5116834) .....	33	5056817 .....	42
(5056635) .....	10	(5116221) .....	6	(5116860) .....	32	5056820 .....	20
(5056635) .....	14	(5116221) .....	8	(5116861) .....	32	5057039 .....	10
(5056635) .....	24	(5116363) .....	37	(5116865) .....	20	5057039 .....	14
(5056635) .....	32	(5116485) .....	32	(5116896) .....	20	5057039 .....	24
(5056635) .....	36	(5116485) .....	6	(5116897) .....	20	5057039 .....	33
(5056635) .....	6	(5116485) .....	8	(5116898) .....	20	5057039 .....	36
(5056635) .....	8	(5116486) .....	32	(5116899) .....	20	5057414 .....	32
(5057483) .....	6	(5116486) .....	6	3901120 .....	52	5057697 .....	52
(5057483) .....	8	(5116486) .....	8	3901174 .....	40	5057896 .....	6
(5057612) .....	6	(5116528) .....	10	3901174 .....	42	5057897 .....	8
(5057622) .....	8	(5116528) .....	21	3902201 .....	49	5057915 .....	52

5057920 .....	52	5115704 .....	47	5117108 .....	15	XCAQ 20X64 CA ..	42
5057951 .....	6	5115994 .....	48	5117108 .....	27	XCAQ 20x64 CA ...	52
5057951 .....	8	5115995 .....	6	5117108 .....	41	XLBE 105A65	
5111548 .....	11	5115995 .....	8	5117118 .....	6	R150 .....	52
5111548 .....	14	5116025 .....	48	5117118 .....	8	XLBE 120A65	
5111548 .....	25	5116111 .....	52	5117119 .....	33	R150 .....	52
5111548 .....	33	5116359 .....	36	5117119 .....	6	XLBE 135A65	
5111548 .....	38	5116364 .....	37	5117119 .....	8	R150 .....	52
5111563 .....	6	5116365 .....	37	5117120 .....	6	XLBE 150A65	
5111563 .....	8	5116368 .....	36	5117120 .....	8	R150 .....	52
5111573 .....	48	5116369 .....	37	5117121 .....	6	XLBE 15A65	
5111573 .....	49	5116475 .....	32	5117121 .....	8	R150 .....	52
5111580 .....	10	5116475 .....	36	5117125 .....	48	XLBE 165A65	
5111580 .....	14	5116533 .....	49	5117126 .....	48	R150 .....	52
5111580 .....	17	5116555 .....	32	5117131 .....	11	XLBE 180A65	
5111580 .....	21	5116572 .....	32	5117131 .....	21	R150 .....	40
5111580 .....	24	5116573 .....	32	5117131 .....	25	XLBE 180A65	
5111580 .....	28	5116601 .....	40	5117131 .....	29	R150 .....	42
5111580 .....	3	5116601 .....	42	5117131 .....	3	XLBE 180A65	
5111580 .....	36	5116602 .....	40	5117132 .....	11	R150 .....	52
5111580 .....	44	5116602 .....	42	5117132 .....	2	XLBE 210A65	
5111583 .....	11	5116609 .....	42	5117132 .....	25	R150 .....	52
5111583 .....	21	5116668 .....	32	5117132 .....	29	XLBE 30A65	
5111583 .....	25	5116675 .....	36	5117133 .....	11	R150 .....	52
5111583 .....	29	5116691 .....	37	5117133 .....	14	XLBE 45A65	
5111583 .....	3	5116692 .....	37	5117134 .....	11	R150 .....	52
5111585 .....	17	5116693 .....	36	5117134 .....	21	XLBE 60A65	
5111585 .....	21	5116858 .....	32	5117134 .....	25	R150 .....	52
5111585 .....	3	5116865 .....	33	5117134 .....	29	XLBE 75A65	
5111585 .....	44	5116865 .....	37	5117134 .....	3	R150 .....	52
5111588 .....	14	5116866 .....	40	5117134 .....	38	XLBE 90A65R150	52
5111588 .....	17	5116910 .....	24	5117138 .....	14	XLCJ 5X76 .....	33
5111588 .....	44	5116910 .....	28	5117138 .....	17	XLCJ 5X76 .....	36
5111588 .....	47	5116913 .....	25	5117138 .....	44	XLCJ A65 .....	32
5111595 .....	47	5116919 .....	49	5117139 .....	20	XLCJ A65 .....	36
5111598 .....	11	5116921 .....	49	5117147 .....	20	XLEB 0A65CNLP ...	5
5111598 .....	2	5116955 .....	52	5117148 .....	33	XLEB 0A65CNRP ...	5
5111598 .....	25	5116955 .....	52	5117150 .....	33	XLEB 0A65HL .....	19
5111598 .....	29	5116987 .....	37	5117156 .....	38	XLEB 0A65HLGP .	15
5111598 .....	6	5116988 .....	37	5117157 .....	38	XLEB 0A65HLGU	16
5111598 .....	8	5116990 .....	37	5117159 .....	38	XLEB 0A65HLP .....	1
5114855 .....	32	5117005 .....	36	5117160 .....	38	XLEB 0A65	
5115704 .....	10	5117006 .....	36	5117163 .....	47	HLPD66 .....	27
5115704 .....	14	5117026 .....	32	5118433 .....	52	XLEB 0A65HLU .....	2
5115704 .....	17	5117041 .....	32	5120442 .....	20	XLEB 0A65HLU ...	20
5115704 .....	21	5117050 .....	37	5122543 .....	20	XLEB 0A65HNLGP	13
5115704 .....	3	5117051 .....	37	XCAQ 20X64		XLEB 0A65HNLP ...	9
5115704 .....	44	5117108 .....	1	CA .....	40	XLEB 0A65	

FlexLink Systems

HNLPD66 .....	23
XLEB 0A65	
HNRGP .....	13
XLEB 0A65HNRP ...	9
XLEB 0A65	
HNRPD66 .....	23
XLEB 0A65HR .....	19
XLEB 0A65HRGP .	15
XLEB 0A65HRGU	16
XLEB 0A65HRP .....	1
XLEB 0A65	
HRPD66 .....	27
XLEB 0A65HRU .....	2
XLEB 0A65HRU ...	20
XLEB 0A65MNLP ..	7
XLEB 0A65MNRP ..	7
XLER 0A65	
HNLP .....	35
XLER 0A65	
HNRP .....	35
XLER 0A65	
MNLP .....	31
XLER 0A65	
MNRP .....	31
XLEW 18/0A65	
HNP .....	39
XLEW 18/0A65	
HP .....	41
XLPB 12 H .....	53
XLPB 12 H .....	55

