

Conveyor system X65

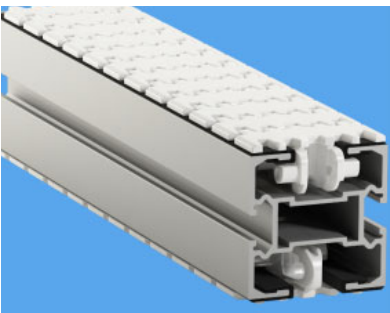
Contents

Synchronous drive unit X65	131	
Idler units X65	132	X45
Bridges	133	
X-bends	134	XS
Components for wedge track width adjustment	135	
Wheel bends X65	136	X65
Wheel cover for Wheel bend with no return chain	136	
Plain bends X65	137	X65P
Support rail for plain bends X65	138	
Vertical bends X65	138	
Angle plates X65	140	X85
Front piece X65	141	
Drip trays & drip pans – introduction	142	X85P
Drip trays X65	143	
Drip catchers X65	144	
Drip pans X65	144	XH
Guide rail system	146	
Conveyor support	146	XK

System information



Chain width 63 mm



Features

Suitable for a wide range of applications. Preferable in high speed applications. Includes components for pallet handling and vertical wedge conveyors.

Examples of application areas

Tissue paper, gear wheels, aerosol cans, medium size ball bearings, piston parts, yoghurt, fuel injectors, dry batteries, plastic bottles, matches, cheese boxes, coffee and tea packages.

Technical characteristics

Beam width	65 mm	
Chain width	63 mm	XT
Chain pitch	25,4 mm	
Drive unit capacity	200-1000 N	HU
Chain tension limit	1000 N	
Item width	15–140 mm	WL
	30–300 mm*	
Maximum:		
conveyor length	40/8 m*	WK
weight on conveyor	200/80 kg*	
item weight:		
Horizontal transport	10/1 kg*	XC
Vertical transport	2/1 kg [†]	XF

*Applies to vertical wedge conveyor.

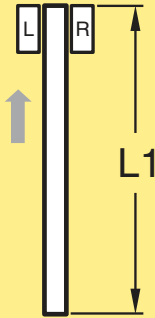
Maximum permitted load per link 1,5 kg

Watch and learn how to assemble an X65 conveyor system:



Conveyor modules

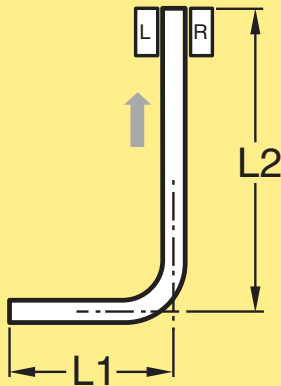
Straight conveyor



Conveyor module – straight * **5990226**

**Use online configurator when ordering*

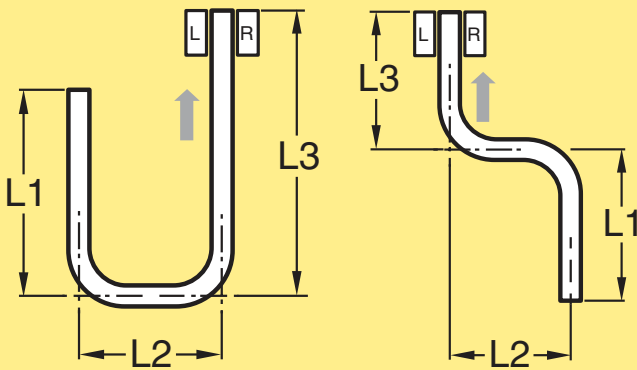
One bend conveyor



Conveyor module – one bend * **5990230**

**Use online configurator when ordering*












Two bend conveyor



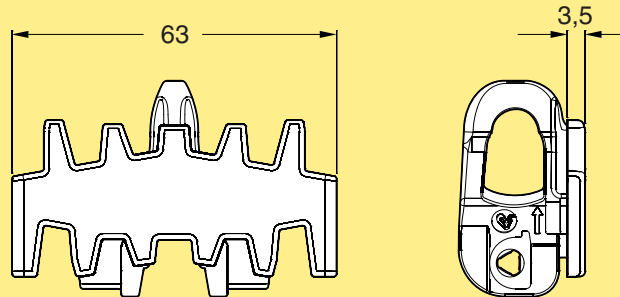
Conveyor module – two bends * **5990237**

**Use online configurator when ordering*

Support modules – single and multi-lane

	5995387	Single diecast
	5995388	Single end adjustable
	5995389	Single end guide roller
	5995390	Single foot plate
	5995391	Single two/three-point
	5995393	Multi single 2 lane
	5995394	Multi single 3 lane
	5995395	Multi single 4 lane
	5995396	Multi double 2 lane
	5995397	Multi double 3 lane
	5995398	Multi double 4 lane

Plain chain



Plain chain
Length 5 m **XLTP 5A65**

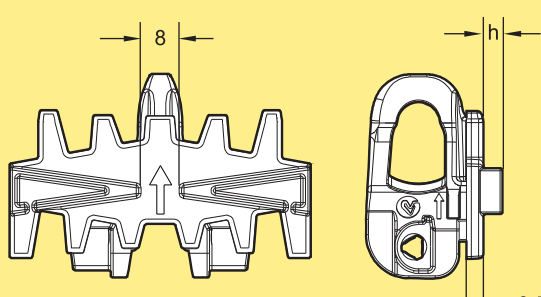
Plain link kit * **5117329**

Plain chain (Ultra low wear)
Length 5 m **XLTP 5A65 C**

Plain link kit (Ultra low wear) **5117371**

**Link kit contains 10 links, 10 pivots, 10 steel pins*

Cleated chain Type A



Type A cleats, Length 5 m

- h=4 mm **XLTF 5A65X4 A**
- h=5,5 mm **XLTF 5A65X5.5 A**
- h=9 mm **XLTF 5A65X9 A**
- h=12 mm **XLTF 5A65X12 A**
- h=17 mm **XLTF 5A65X17 A**
- h=30 mm **XLTF 5A65X30 A**

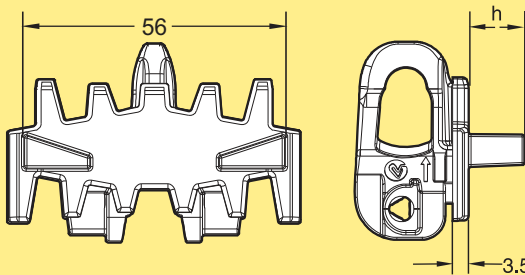
Use the online configurator to specify and order.

Cleated link kit*

- h=4 mm **5117353**
- h=5,5 mm **5117354**
- h=9 mm **5117356**
- h=12 mm **5117346**
- h=17 mm **5117350**
- h=30 mm **5117351**

** Link kit contains 10 links, 10 pivots, 10 steel pins*

Cleated chain Type B



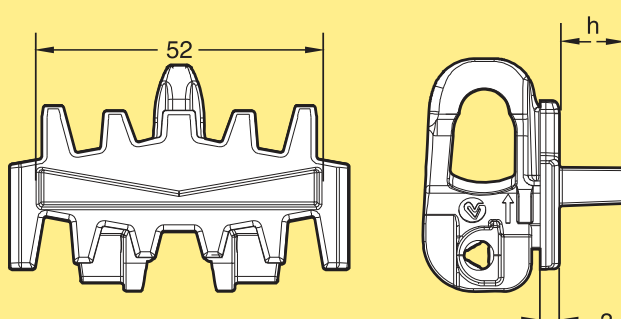
Cleated chain, Length 5 m **XLTF 5A65X12 B**

Use the online configurator to specify and order.

Cleated link kit* **5117347**

**Link kit contains 10 links, 10 pivots, 10 steel pins*

Cleated chain Type C



Type C cleats*
Length 5 m

- h=12 mm **XLTF 5A65X12 C**
- h=15 mm **XLTF 5A65X15 C**
- h=30 mm **XLTF 5A65X30 C**

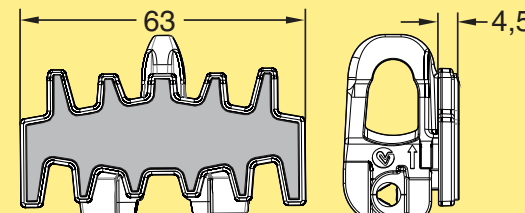
**Use the online configurator to specify and order.*

Cleated link kit **

- h=12 mm **5117348**
- h=15 mm **5117349**
- h=30 mm **5117352**

***Link kit contains 10 links, 10 pivots, 10 steel pins*

Flat friction top chain



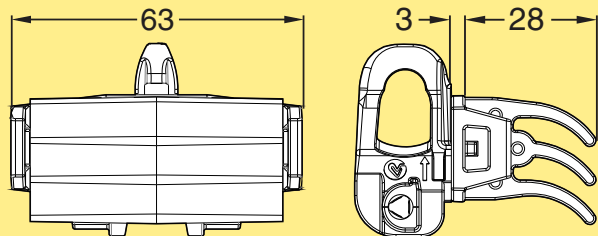
Flat friction top chain
Length 5 m, (PAR1) **XLTP 5A65 FA**
Length 5 m **XLTP 5A65 FAP**

**Use the online configurator to specify and order.*

Cleated link kit ** **5117357**

***Link kit contains 10 links, 10 pivots, 10 steel pins*

Flexible cleat chain, Type C



Flexible cleat chain Type C
Length 5 m

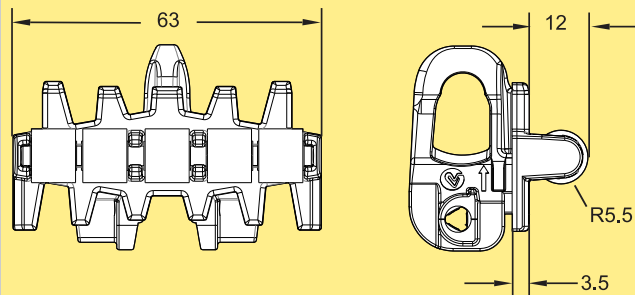
Flexible cleat link kit

10 complete links+pivots+pins

XLTE 5A65 C

5117358

Roller top chain



Roller top chain
Length 5 m (PAR1)
Length 5 m

Use the online configurator to specify and order.

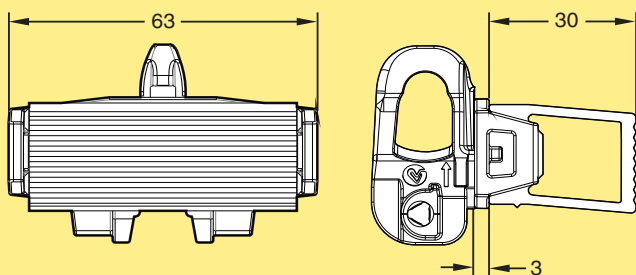
Roller top link kit

Link kit contains 10 links, 10 pivots, 10 steel pins

**XLTR 5A65
XLTR 5A65 P**

5117373

Flexible cleat chain, Type D



Flexible cleat chain Type D
Length 5 m

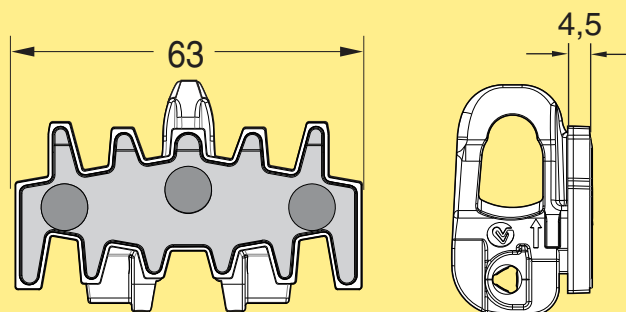
Flexible cleat link kit

10 complete links+pivots+pins

XLTE 5A65 D

5117359

Steel top chain



Steel top chain
Length 5 m

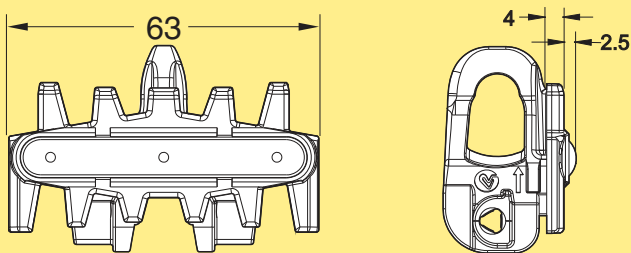
Steel top link kit

Link kit contains 10 links, 10 pivots, 10 steel pins

XLTP 5A65 TF

5117374

Friction top chain



Friction top chain
Length 5 m (PAR 1)
Length 5 m

Use the online configurator to specify and order.

Friction top link kit

Link kit contains 10 links, 10 pivots, 10 steel pins

**XLTP 5A65 F
XLTP 5A65 FP**

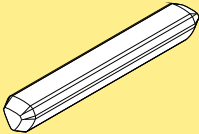
5117360

Plastic pivot



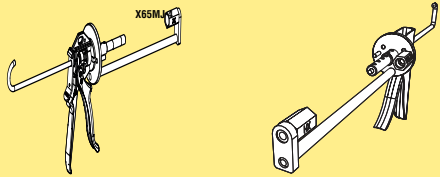
Plastic pivot X65 **5117478**
Plastic pivot kit contains 25 items

Steel pin kit



Steel pin kit **5116330**
Note. kit contains 25 pcs of XTTD 4.5x30

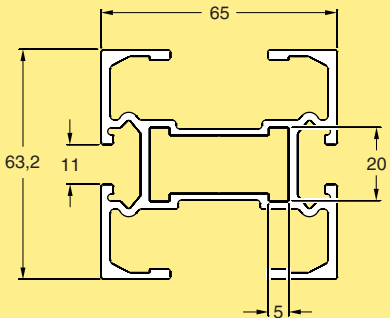
Pin insertion tool for chain



Pin insertion tool
 X65
 X65 PRO version* **XLMJ 4**
XLMJ 4 P
**This product is recommended for frequent users.*

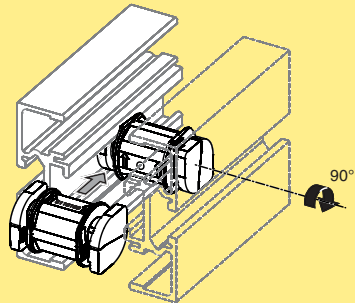
Beams X65

Conveyor beam



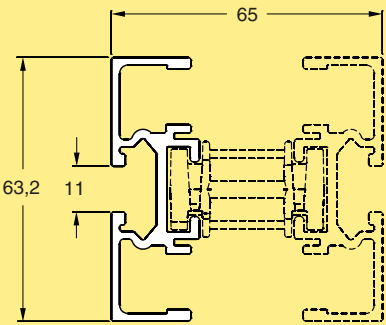
Beam
 Length 3000 +10/-0 mm **XLCB 3A65**
 Length to order (160- 3000 mm) **XLCB LA65**
Slide rail: see page 121.
Beam accessories: see page 120.
The beams have predrilled 8 mm holes

Spacer



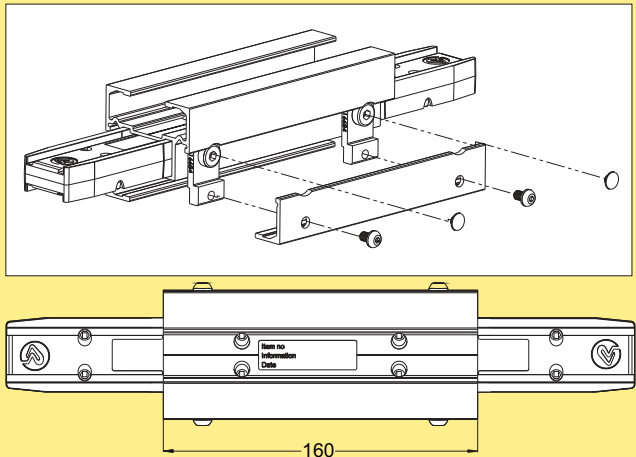
Spacer **XLCE A65**
Spacer kit contains 10 pcs

Profile for split conveyor beam



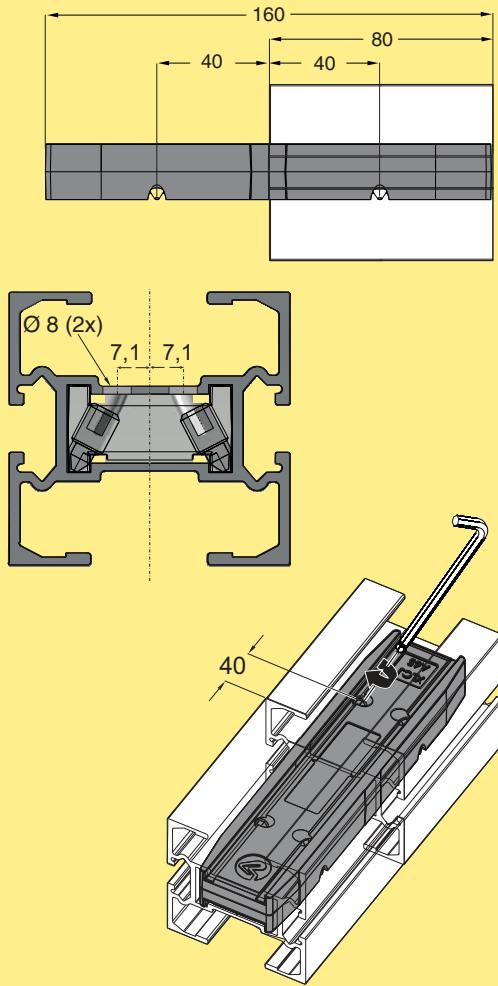
Profile for split conveyor beam
 Length 3000 +10/-0 mm **XLCB 3A65 H**
 Length to order (30- 3000 mm) **XLCB LA65 H**

Beam section for chain installation



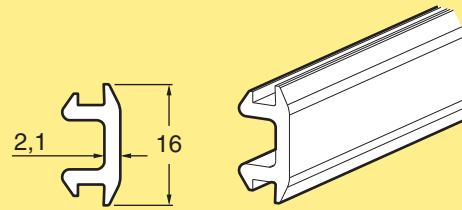
Beam section for chain installation **XLCC 160A65**
Including connection strips and screws

Connecting bracket kit



Connecting bracket kit with set screws **XLCJ A65**

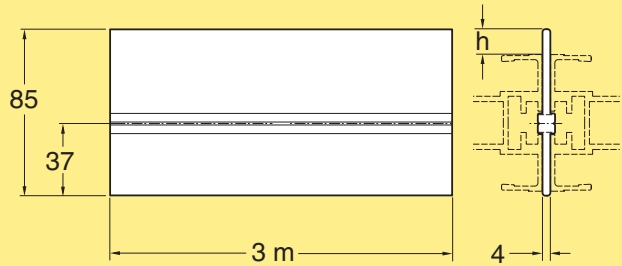
Cover strip for T-slot, PVC



Cover strip for T-slot
Length 25 m
Grey PVC

XCAC 25 P

Beam spacer



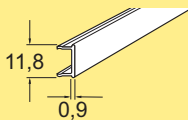
XS	X65	X85/XH	XK
h=16,0 mm	h=15,9 mm	h=10,5 mm	h=0,5 mm

Beam spacer
Aluminium, anodized
Length 3 m

XLCD 3

For connection of two conveyor beams side to side. Use M8 screw and slot nut. Two holes must be drilled, one through the spacer (9 mm) and one through the beam, to allow insertion of the screw. The diameter of the second hole depends on the size of the screw head.

Cover strip for T-slot, aluminium

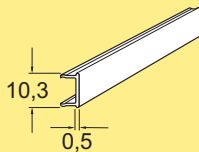


Cover strip for T-slot
Aluminium, anodized
Length 2 m

XCAC 2

Note! Can't be used with bends

Cover strip for T-slot, PVC

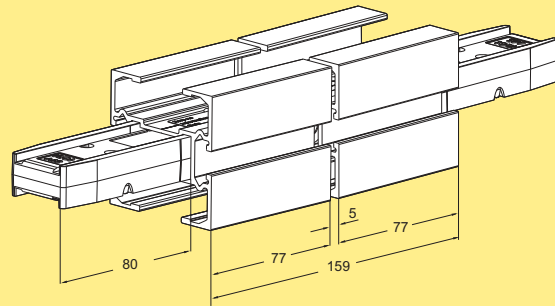


Cover strip for T-slot
Length 3 m
Grey PVC

XCAC 3 P

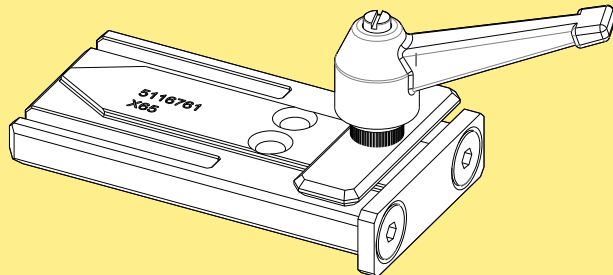
Note! Can't be used with bends

Articulated beam section



Articulated beam section vertical **XLCH 5A65 V**

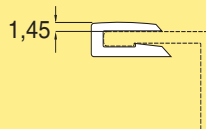
Drill fixture



Drill fixture **5116761**
For the Connecting bracket hole pattern

Slide rails X65

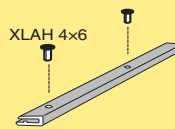
Plastic slide rails, narrow



Slide rail
Length 25 m
HDPE (Black)
PA-PE (Grey)
PVDF (Natural white)
PE-UHMW (White)
PE-UHMW conductive (Black)

XLCR 25
XLCR 25 H
XLCR 25 P
XLCR 25 U
XLCR 25 E

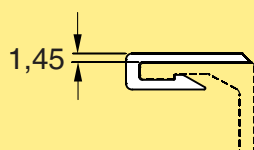
Aluminium rivets



Aluminium rivets 4 mm for X65 conveyors
XLAH 4x6

Extra slide rail in plain bends must be anchored using plastic screws due to lack of space for the rivet crimping tool.
Note. Contains 250 pcs..

Plastic slide rails for X65

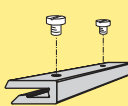


Slide rail
Length 25 m
HDPE (Black)
PA-PE (Grey)

XLCR 25 B
XLCR 25 HB

Not for use in bends

Plastic screws for slide rail




Plastic screws 5 mm for XS-X65-X85-XH-X180/X300 beams
XLAG 5

See mounting instruction "Anchoring slide rail using plastic screws" on page 522
Note. Contains 50 pcs.

Steel slide rail for X65 beams

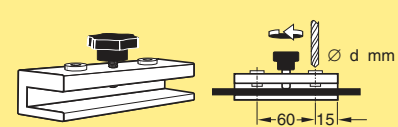
XLCR 3 TA



Slide rail ($\mu=0,15-0,35$)
Length 3 m
Acid resistant stainless steel

XLCR 3 TA

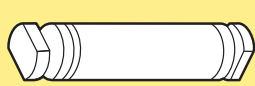
Drill fixture for slide rail



Drill fixture for X65-X85-XH-XK-X180/X300 slide rail
d=4,2 mm


3920500

Mounting tool for slide rail



Mounting tool for slide rail XS, X65 **XLMR 140**

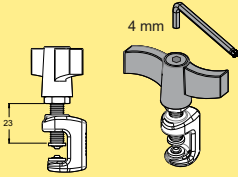
Rivet crimping pliers



Rivet crimping pliers for X65-X85-XH-XK-X180/X300
For 4 mm rivets

5051395

Rivet crimping clamp

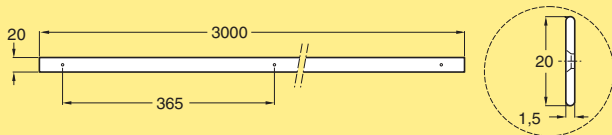


Rivet crimping clamp for X65-X85-XH-
XK-X180/X300
For 4 mm rivets

3923005

Slide rails X65, hardened steel

Steel slide rail, straight

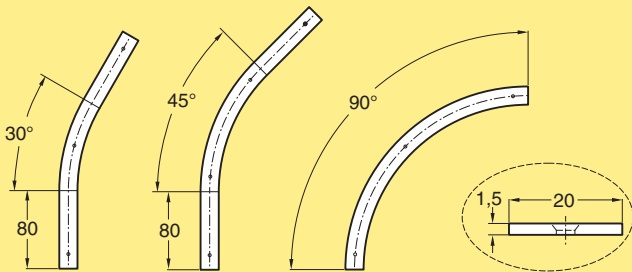


Slide rail, hardened steel
Length 3 m

XLCR 3 TH

Delivered with 9 predrilled holes

Steel slide rail for wheel bends



Slide rail for bends, hardened steel

Slide rail for bend, X65 30°

Slide rail for bend, X65 45°

Slide rail for bend, X65 90° & 180°

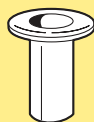
XLCR W30 TH

XLCR W45 TH

XLCR W90 TH

180°: Use 2 pieces of steel slide rail 90°

Stainless steel rivets

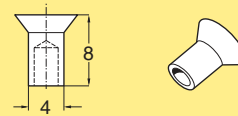


Stainless steel rivet, 4 mm

XLAHX 4x6

Rivet for anchoring the slide rails. Contains 10 pcs.0.
Note. Do not use in applications where metal chips
might get stuck in the hole in the rivet.

Brass rivets



Brass rivets (100 pcs)

5056167

Rivets for anchoring the slide rails

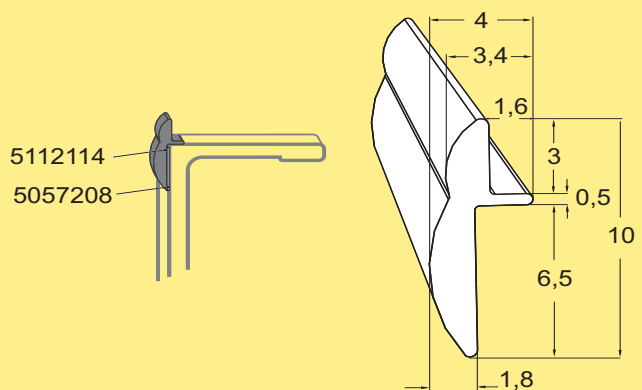
Mounting tool for steel slide rail



Mounting tool for X65

5057662

Cover strip



5112114

5057208

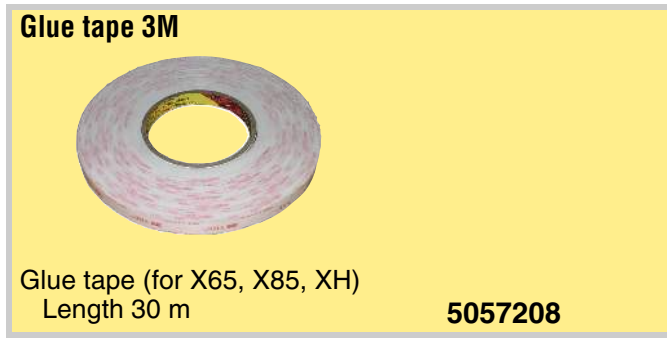
Cover strip

Length: 3 m

Material: Plastic PA 12

5112114

Cover the opening on the side between the chain and
beam. Primarily for straight sections and the outer
curves, but can also be mounted on inner curves. Apply
using Glue tape 5057208, see mounting instruction
5497EN in Technical library.



- PO
- CC
- X45
- XS
- X65**
- X65P
- X85
- X85P
- XH
- XK
- XKP
- X180
- X300
- GR
- CS
- XT
- HU
- WL
- WK
- XC
- XF
- XD
- ELV
- CTL
- FST
- TR
- APX
- IDX

Drive unit types

The X65 system includes Compact (**C**), Medium (**M**), and Heavy (**H**) drive units. Drive unit capacities range from maximum 1000 N for the H types down to maximum 200 N for the Wheel bend drive and Intermediate drive type M.

The actual capacity depends on the speed and type of drive unit. Several configurations are available, including direct driven units with or without slip clutch. Heavy duty drives with suspended motor and transmission chain can also be ordered. Available motors include variable speed types (**V**) as well as fixed speed motors (**F**).

Motor specifications

Motors are available for 230/400 V, 50 Hz and 230/460 V, 60 Hz. Variable speed motors are SEW Movimot, 380–500 V. Note that variable speed motors include a control box that adds 120 mm to the width of the motor.

IP55 available with standard oil.

IP65 available with food grade oil.

Motor	End drive units					Intermediate drive units	Horizontal bend drive units		Synchronous drive unit
	Double drive units						Direct drive, no slip clutch	Direct drive, slip clutch	
	Direct drive, no slip clutch	Direct drive, slip clutch	Suspended motor, transmission chain, slip clutch	Direct drive, no slip clutch	Direct drive, slip clutch				
Compact (WA10)	F	--	--	--	--	--	--	--	
Medium (WA 20)	F,V	--	--	--	--	F,V	--	--	
Heavy (S37, SA37)	F,V	F,V	F	F,V	F,V	F,V	F,V	F,V	F
Heavy, guided (S37, SA37)	F,V	F,V	--	--	--	--	--	--	

Idler unit types

Idler units are available in two versions, Compact and Heavy.

Ordering information

Drive units with motors must be specified using the web-based configurator. The configurator provides detailed information and step-by-step guidance in the specification process. A product code string is generated, containing the specification details. See next page for examples of code strings.

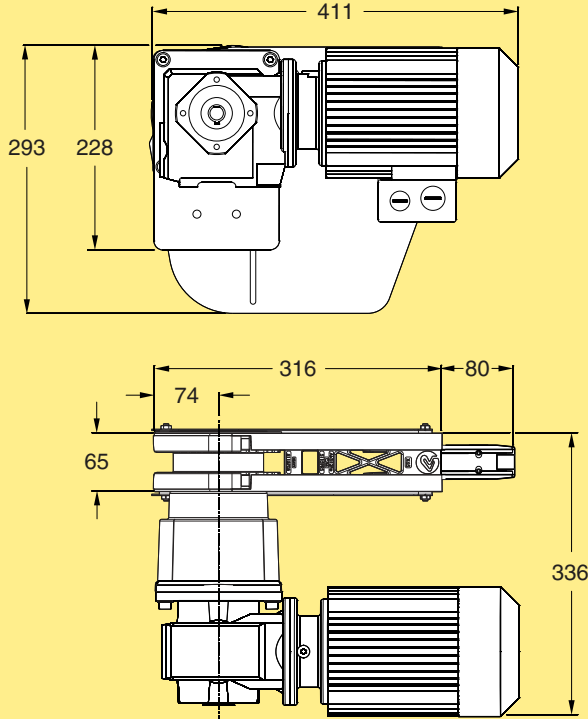
Drive units *without* motors can be ordered using the designations in the catalogue.

Dimension

Note that dimensions relating to drive unit motors depend on the motor specified during the configuration.

End drive units X65 Type H, direct drive, with slip clutch

End drive unit, Type H, direct drive with slip clutch



End drive unit, max 1000 N
 Fixed speed up to 60 m/min
 Variable speed up to 120 m/min
 Motor on left side
 Fixed/variable speed*
 Without motor
 Motor on right side
 Fixed/variable speed*
 Without motor

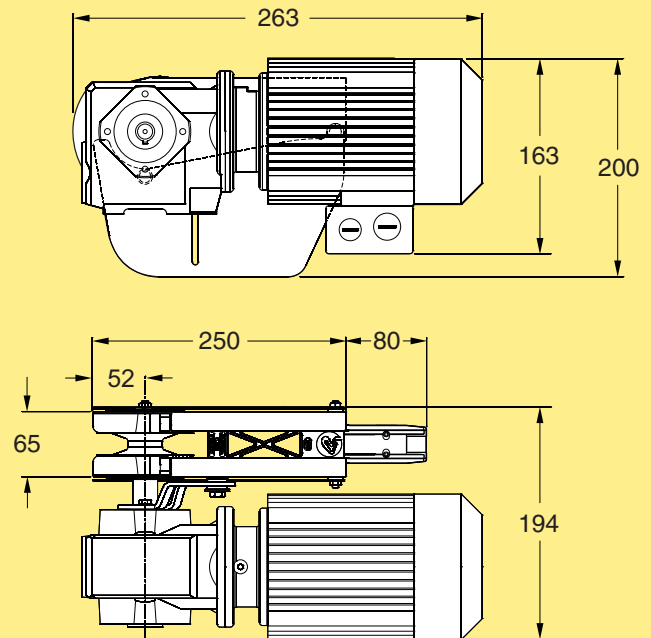
XLEB A65
XLEB 0A65HLP

XLEB A65
XLEB 0A65HRP

Effective track length: 0,80 m
 *Use online configurator when ordering.
 Maximum traction force: see diagram on page 22 in
 FlexLink's product catalogue.

End drive units X65 Type C, direct drive, no slip clutch

End drive unit, Type C, direct drive, no slip clutch



End drive unit, max 300 N
 Fixed speed up to 35 m/min
 Motor on left side
 Fixed speed*
 Without motor
 Motor on right side
 Fixed speed*
 Without motor

XLEB A65
XLEB 0A65CNLP

XLEB A65
XLEB 0A65CNRP

Effective track length: 0,55 m
 *Use online configurator when ordering.
 Maximum traction force: see diagram on page 22 in
 FlexLink's product catalogue.

PO

CC

X45

XS

X65

X65P

X85

X85P

XH

XK

XKP

X180

X300

GR

CS

XT

HU

WL

WK

XC

XF

XD

ELV

CTL

FST

TR

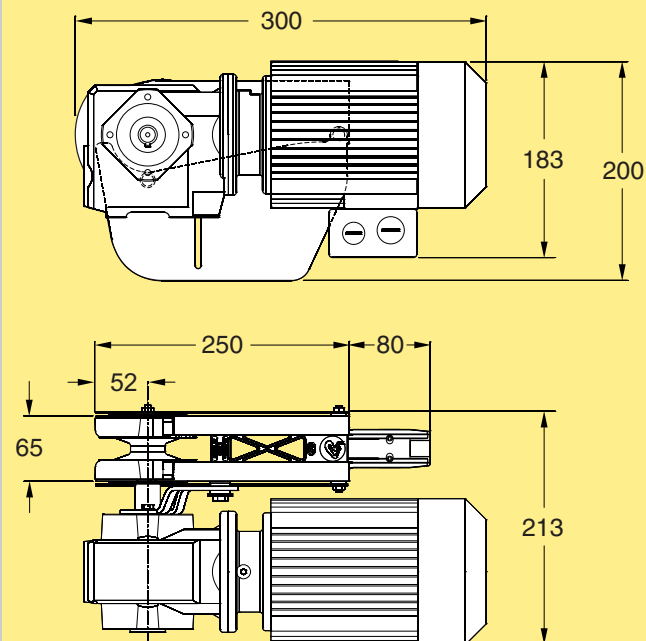
APX

IDX

End drive units X65 Type M, direct drive, no slip clutch

End drive units X65 Type H, direct drive, no slip clutch

End drive unit, Type M, direct drive, no slip clutch



End drive unit, max 700 N

Fixed speed up to 60 m/min

Variable speed: up to 60 m/min

Motor on left side

Fixed/variable speed*

Without motor

XLEB A65
XLEB 0A65MNLP

Motor on right side

Fixed/variable speed*

Without motor

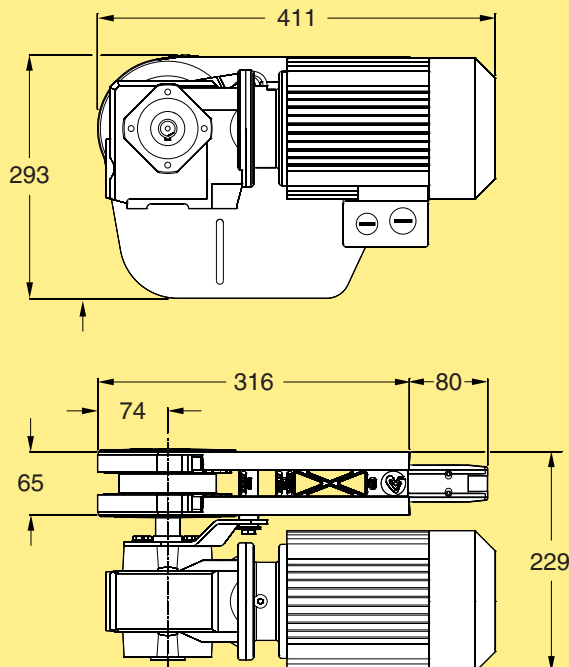
XLEB A65
XLEB 0A65MNRP

Effective track length: 0,55 m

*Use online configurator when ordering.

Maximum traction force: see diagram on page 22 in FlexLink's product catalogue.

End drive unit, Type H, direct drive, no slip clutch



End drive unit, max 1000 N

Fixed speed up to 60 m/min

Variable speed up to 120 m/min

Motor on left side

Fixed/variable speed*

Without motor

XLEB A65
XLEB 0A65HNLP

Motor on left side

Fixed/variable speed*

Without motor (ISO)

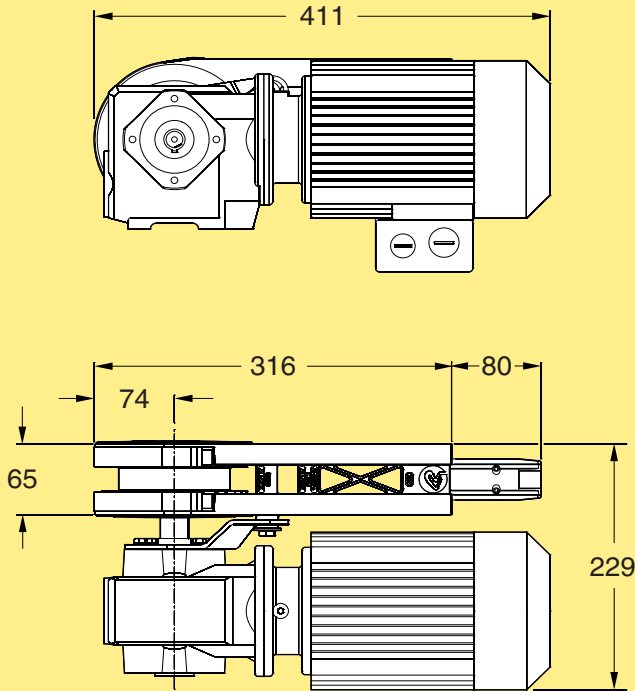
XLEB A65
XLEB 0A65HNRP

Effective track length: 0,80 m.

*Use online configurator when ordering.

Maximum traction force: see diagram on page 22 in FlexLink's product catalogue.

End drive unit, Type H, guided chain, no slip clutch



End drive unit, max 1000 N
 Direct drive with guided chain. No slip clutch.
 Fixed speeds up to 60 m/min.
 Variable speed up to 60 m/min.

Motor on left side:

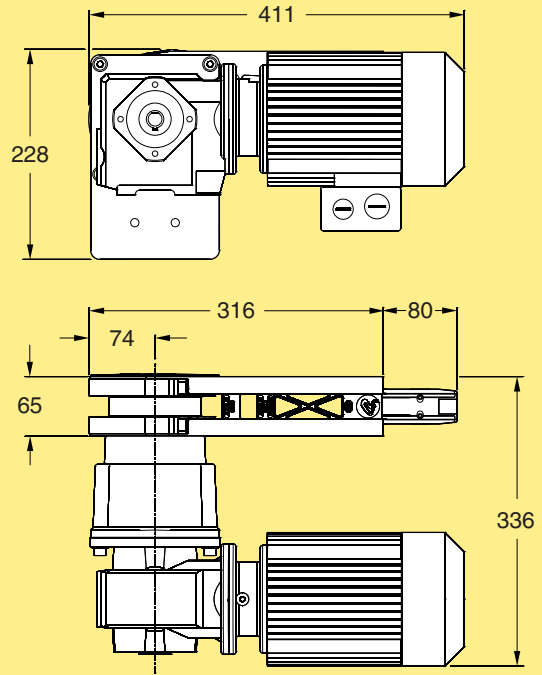
Fixed/variable speed * **XLEB A65**
 Without motor **XLEB 0A65HNLGP**

Motor on right side (not shown):

Fixed/variable speed * **XLEB A65**
 Without motor **XLEB 0A65HNRGP**

Effective track length: 0,80 m
 *Use online configurator when ordering.
 Maximum traction force: see diagram on page 22 in FlexLink's product catalogue.

End drive unit, Type H, guided chain, slip clutch



End drive unit, max 1000 N
 Direct drive with guided chain. Adjustable slip clutch.
 Maximum traction force: up to 1000 N.
 Fixed speeds up to 60 m/min.
 Variable speed up to 60 m/min.

Motor on left side:

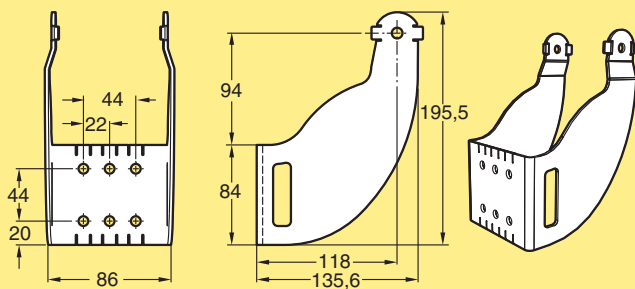
Fixed/variable speed * **XLEB A65**
 Without motor **XLEB 0A65HLGP**

Motor on right side (not shown):

Fixed/variable speed * **XLEB A65**
 Without motor **XLEB 0A65HRGP**

Effective track length: 0,80 m
 *Use online configurator when ordering.
 Maximum traction force: see diagram on page 22 in FlexLink's product catalogue.

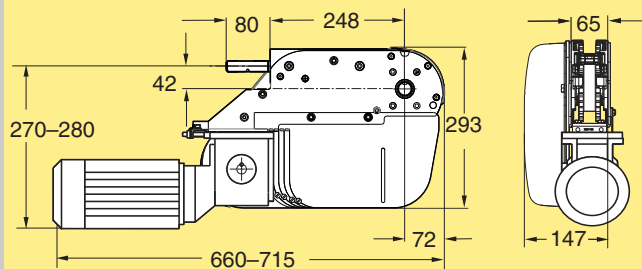
Support bracket for HNL/HNR drive units



Support bracket kit **5116741**

Including screw kit: 6 each of M6S M8x12, BRB 8.4x16, XCAN 8.

End drive unit, suspended, slip clutch



End drive unit, max 1000 N
Fixed speeds up to 60 m/min.

Motor on left side:

Fixed speed*	XLEB A65
Without motor (ISO)	XLEB 0A65HL
Without motor (ANSI)	XLEB 0A65HLA

Motor on right side (not shown):

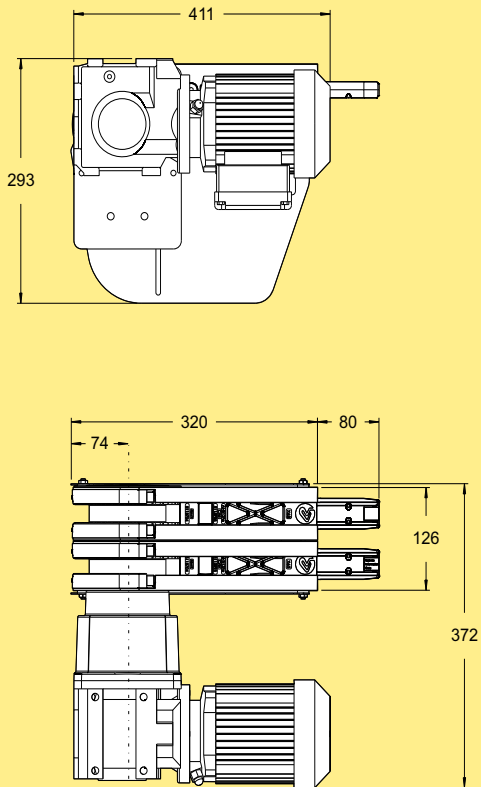
Fixed speed*	XLEB A65
Without motor (ISO)	XLEB 0A65HR
Without motor (ANSI)	XLEB 0A65HRA

Effective track length: 0,80 m

*Use online configurator when ordering.

Maximum traction force: see diagram on page 22 in FlexLink's product catalogue.

Double drive unit, direct drive, slip clutch



Double drive unit, max 1000 N
Direct drive. Adjustable slip clutch.
Fixed speeds up to 60 m/min.
Variable speed up to 60 m/min.

Motor on left side:

C-C=66 mm
Fixed/variable speed * **XLEB DD A65**
Without motor **XLEB 0A65HLPD66**

C-C=130–350 mm
Fixed/variable speed * **XLEB DD A65**
Without motor **XLEB 0A65HLPD–****

Motor on right side (not shown):

C-C=66 mm
Fixed/variable speed * **XLEB DD A65**
Without motor **XLEB 0A65HRPD66**

C-C=110–350 mm
Fixed/variable speed * **XLEB DD A65**
Without motor **XLEB 0A65HRPD–****

*Use online configurator when ordering.

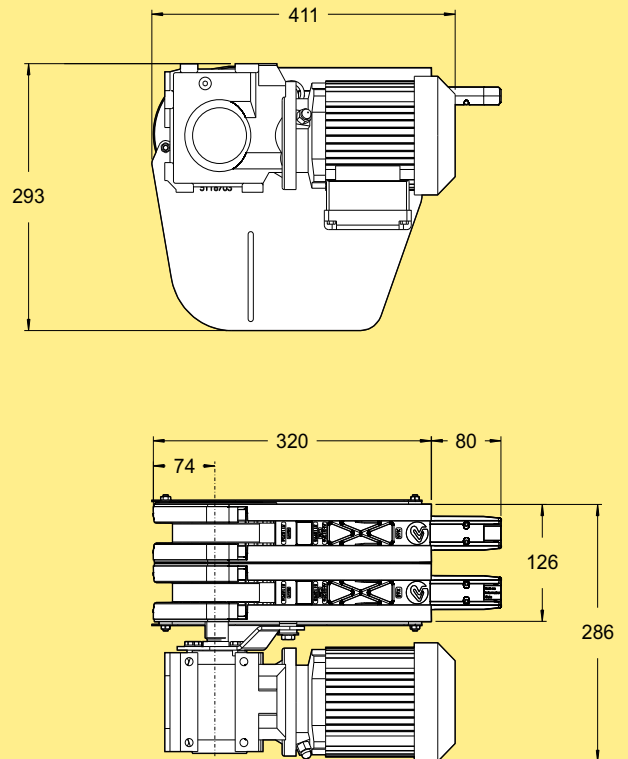
**Specify C-C when ordering.

Drawing shows C-C 66 mm version.

Effective track length: 0,80 m (each track)

**Maximum traction force: see diagram on page 22 in FlexLink's product catalogue.

Double drive unit, direct drive, no slip clutch



Double drive unit, max 1000 N
Direct drive. No slip clutch.
Fixed speeds up to 60 m/min.
Variable speed up to 60 m/min.

Motor on left side:

C-C=66 mm
Fixed/variable speed * **XLEB DD A65**
Without motor **XLEB0A65HNLPD66**

C-C=110–350 mm
Fixed/variable speed * **XLEB DD A65**
Without motor **XLEB0A65HNLPD–****

Motor on right side (not shown):

C-C=66 mm
Fixed/variable speed * **XLEB DD A65**
Without motor **XLEB0A65HNRPD66**

C-C=110–350 mm
Fixed/variable speed * **XLEB DD A65**
Without motor **XLEB0A65HNRPD–****

*Use online configurator when ordering.

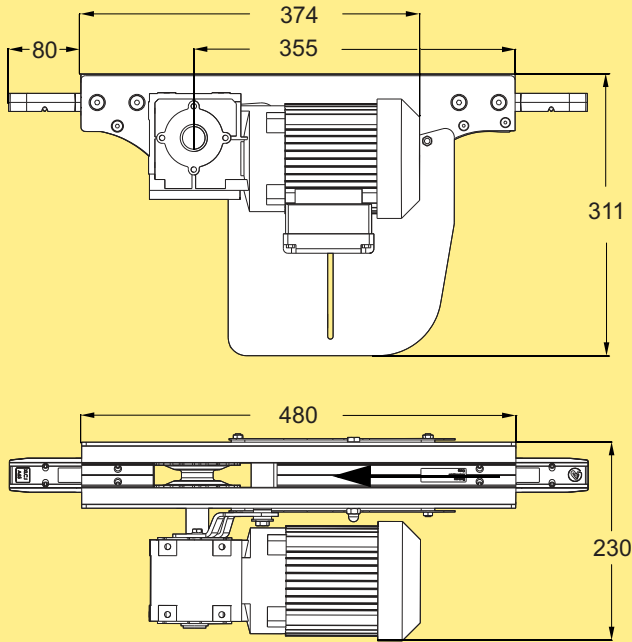
**Specify C-C when ordering.

Drawing shows version with customer specified C-C distance.

Effective track length: 0,80 m (each track)

**Maximum traction force: see diagram on page 22 in FlexLink's product catalogue.

Intermediate drive unit M, direct drive, no slip clutch



Intermediate drive unit, max 200 N
 Direct drive. No slip clutch.
 Fixed speeds up to 25 m/min.
 Variable speed up to 25 m/min.

Motor on left side

Fixed/variable speed * **XLER A65**
 Without motor **XLER 0A65MNL P**

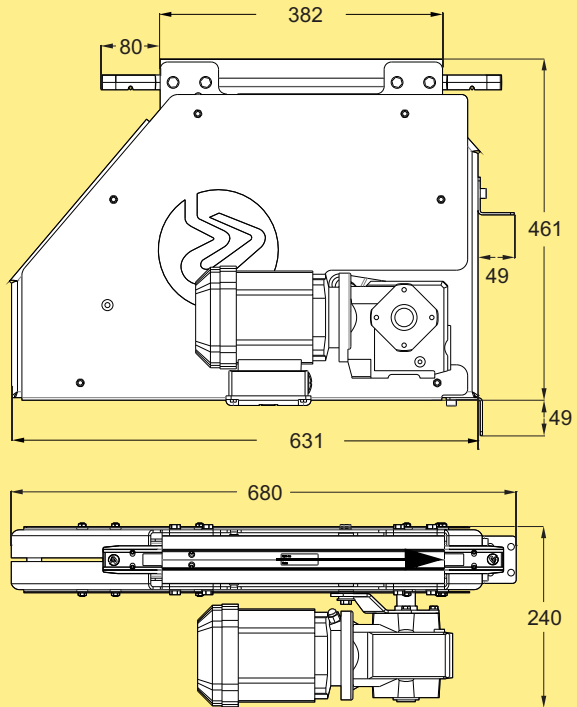
Motor on right side: (not shown)

Fixed/variable speed * **XLER A65**
 Without motor **XLER 0A65MNR P**

**Use online configurator when ordering.*

Effective track length: 1,10 m

Intermediate drive unit H, direct drive, no slip clutch



Intermediate drive unit, max 700 N
 For plain chain only.
 Direct drive. No slip clutch.
 Fixed speeds up to 60 m/min.
 Variable speed up to 60 m/min.

Motor on left side: (not shown)

Fixed/variable speed * **XLER A65**
 Without motor **XLER 0A65HNL P**

Motor on right side:

Fixed/variable speed * **XLER A65**
 Without motor **XLER 0A65HNR P**

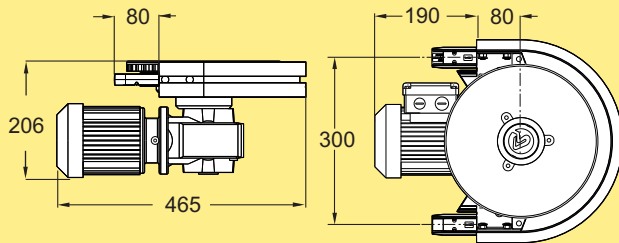
**Use online configurator when ordering.*

Effective track length: 1,67 m + 0,38 m

Horizontal bend drive unit X65

PO

Horizontal bend drive unit, direct drive, no slip clutch



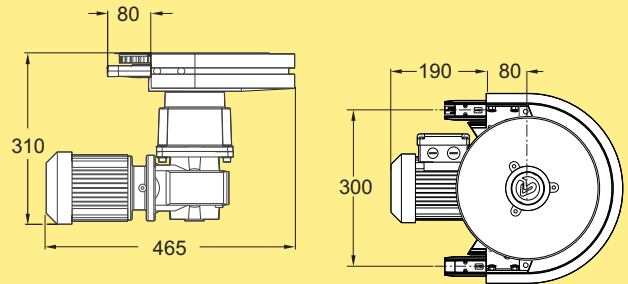
Horizontal bend drive unit, max 200 N
 Direct drive. No slip clutch.
 Fixed speeds up to 30 m/min.
 Variable speed up to 30 m/min.

Fixed/variable speed **XLEW A65**
 Without motor **XLEW 18/0A65HNP**

**Use online configurator when ordering.*

Maximum conveyor length: 20 m
 Effective track length: 0,65 m

Horizontal bend drive unit, direct drive, slip clutch



Horizontal bend drive unit, max 200 N
 Direct drive. Adjustable slip clutch.
 Fixed speeds up to 30 m/min.
 Variable speed up to 30 m/min.

Fixed/variable speed **XLEW A65**
 Without motor **XLEW 18/0A65HP**

**Use online configurator when ordering.*

Maximum conveyor length: 20 m
 Effective track length: 0,65 m

CC

X45

XS

X65

X65P

X85

X85P

XH

XK

XKP

X180

X300

GR

CS

XT

HU

WL

WK

XC

XF

XD

ELV

CTL

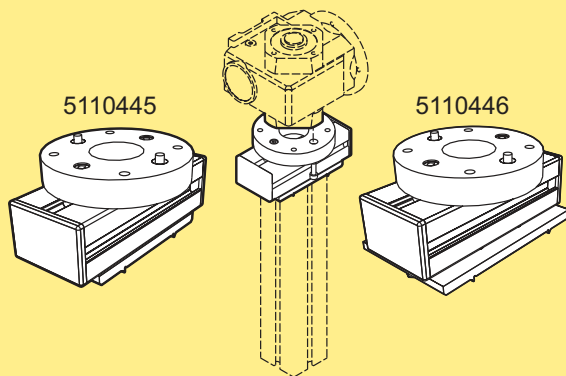
FST

TR

APX

IDX

Support adapters for Horizontal bend drive units



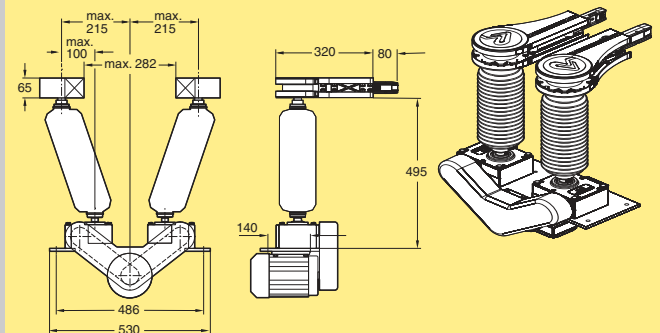
Support adapter for Horizontal bend drive unit

For support beam XCBM..x64 mm **5110445**
 For support beam XCBM..x88 mm **5110446**

Including mounting hardware and mounting instructions. Note. XCBL support beams cannot be used.

Synchronous drive unit X65

Synchronous drive unit for vertical wedge conveyors



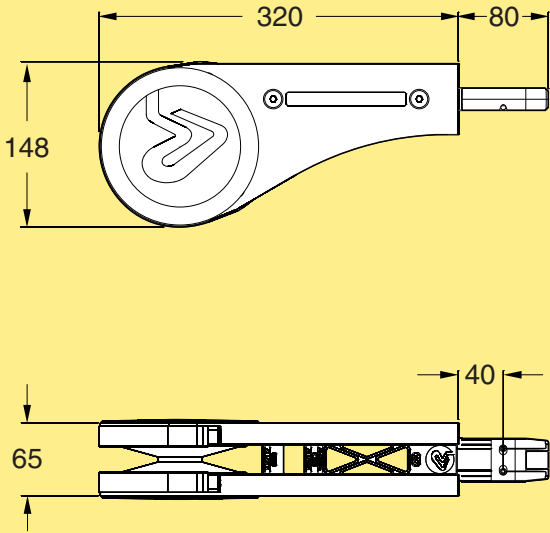
Synchronous drive unit **XLED A65H**
 50 Hz 230/400 V

*Insert desired speed instead of # in designation:
 50 Hz: 5-10-15-18-22-27-35-45-55 m/min.*

*60 Hz: –
 Maximum traction force: 500 N. See page 22.*

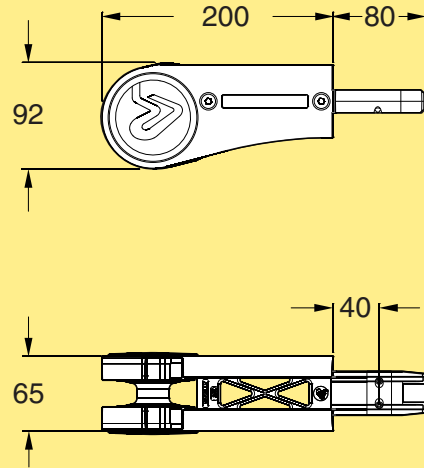
*Effective track length: 0,80 m
 Including two basic units, two cardan shafts, two gear reducers, 3-phase motor, two timing belts and reducer pulleys, motor pulley, transmission cover, mounting plate*

Idler end unit



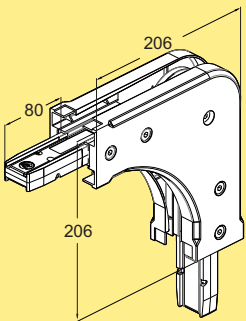
Idler end unit **XLEJ A65**
Effective track length: 0,80 m

Idler end unit Type S



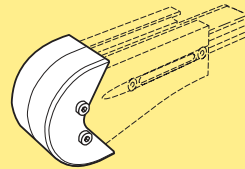
Idler end unit
Compact version **XLEJ A65 S**
Effective track length: 0,45 m

Idler bend unit, 90°



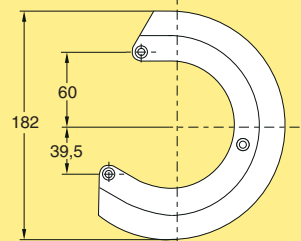
Idler bend unit, 90° **XLEK 90A65**
Effective track length: 0,40 m 1-way (0,70 m 2-way)

Protective cover for idler end unit



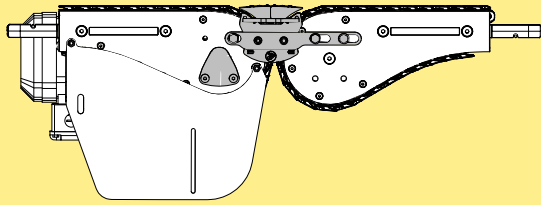
Protective cover for XLEJ A65 S **XLSJ 116**
Including mounting screws (M8).

Protective cover for idler end unit



Protective cover for XLEJ A65 **XLSJ 182**

Passive bridge from conveyor to conveyor



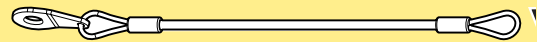
Passive bridge*

XLNG A65

From:	To:
Heavy Drive	Heavy Idler
Heavy Drive	Compact Idler
Comp./Med. Drive	Compact Idler
Comp./Med. Drivef	Heavy Idler

* Use online configurator when ordering.

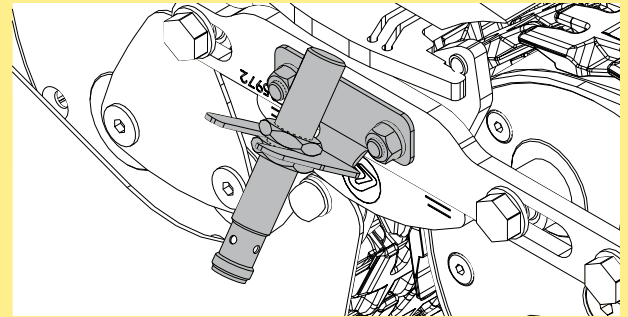
Attachment wire



Wire for attaching roller to holder **FLX1006041**

*Also available as a configuration option through XLNG A65.

Sensor Kit

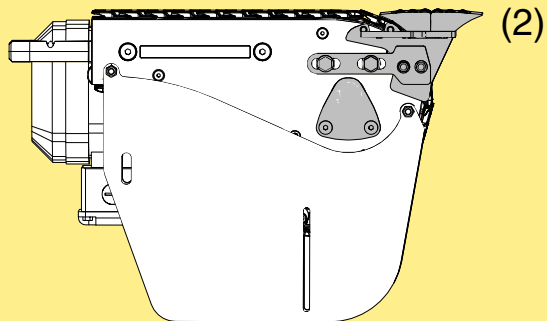
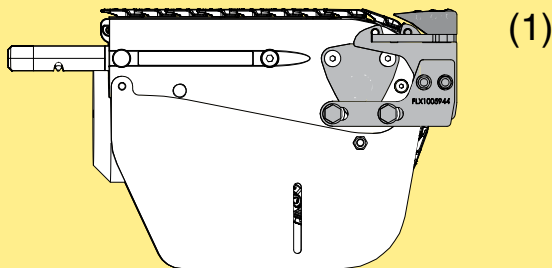


Bridge in position sensor kit
 Conveyor to conveyor **FLX1006042**
 External to/from Conveyor **FLX1006044**

*Also available as a configuration option through XLNG A65

Note
 Bridges can not be used with cleated chain.

Passive bridge to or from machine or application, Single or double rollers



Passive bridge*

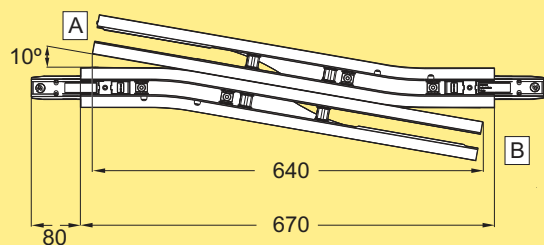
Single roller (1) or Double roller (2) **XLNG A65**

From:	To:
Heavy	External
External	Heavy Idler
Compact/Med.	External
External	Compact/Med.

* Use online configurator when ordering.

X-bends

X-bend



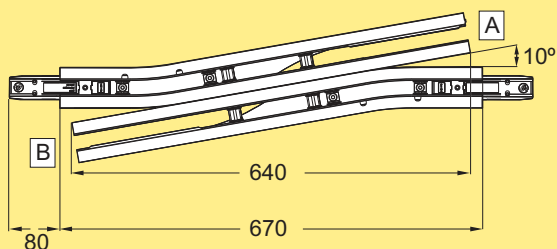
X-bend for top chain

For optional mounting of Idler end unit or Drive unit at the end (A) or (B)

XLCX 65 L

Effective track length: 2,1 m

X-bend



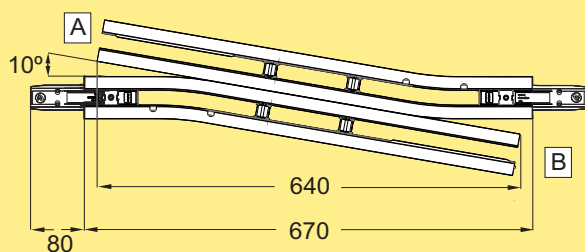
X-bend for top chain

For optional mounting of Idler end unit or Drive unit at the end (A) or (B)

XLCX 65 R

Effective track length: 2,1 m

X-bend



X-bend for return chain

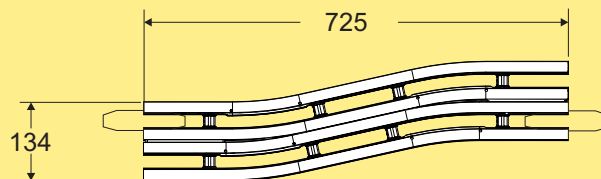
For optional mounting of Idler end unit or Drive unit at the end (A) or (B)

XLCX 65 D

Effective track length: 3 m

S-Transfer

S-Transfer



S-transfer for return chain

for X65

XLCY A65 D

Effective track length: 2,9 m

Width adjustment actuator 660 mm

Width adjustment actuator XCLA 660 A
Including beam and angle gear unit

Width adjustment actuator 950 mm

Width adjustment actuator XCLA 950 A
Including beam and angle gear unit

Angle gear unit

Angle gear unit XCFW 90

Shaft

Shaft XLFX 3
Aluminium, anodized
Length 3 m

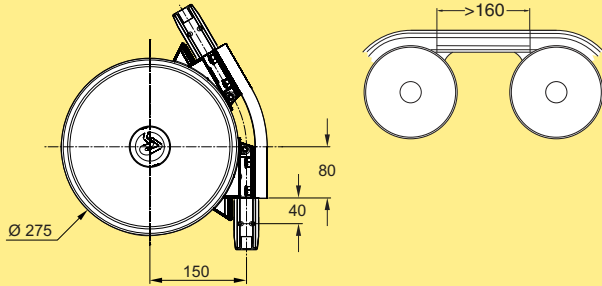
The shaft is used to connect angle gear units XCFW 90 to synchronize adjustment of the track width. Use XLAP 28 spring pins to secure the shafts axially.

Handwheel for 10 mm shaft

Handwheel for 10 mm shaft XLAW 160x10

Wheel bends X65

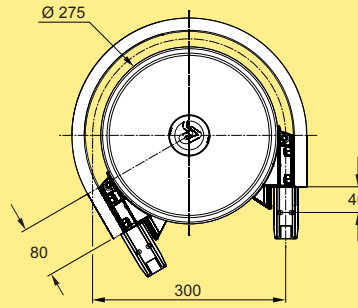
Wheel bend, 30°



Wheel bend, 30° **XLBH 30A65R150**

Effective track length: 0,25 m 1-way (0,50 m 2-way)

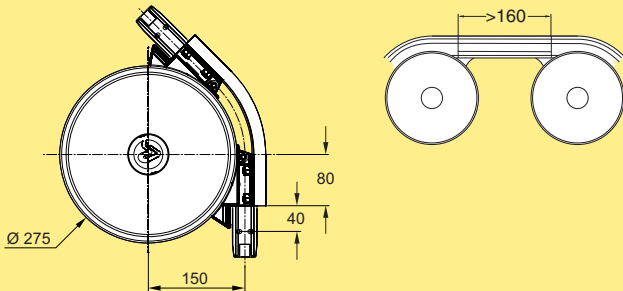
Wheel bend, 210°



Wheel bend, 210° **XLBH 210A65R150**

Effective track length: 0,75 m 1-way (1,50 m 2-way)

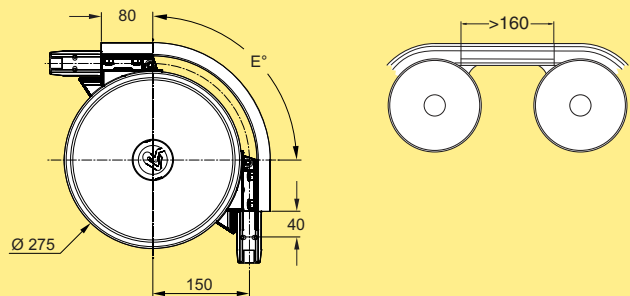
Wheel bend, 45°



Wheel bend, 45° **XLBH 45A65R150**

Effective track length: 0,30 m 1-way (0,60 m 2-way)

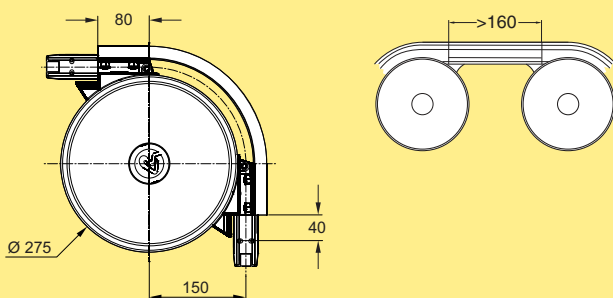
Wheel bend, 30°–180°



Wheel bend, 30°–180°
Available in steps of 15°. **XLBH EA65R150**

The outer bend is cut in the middle to the desired angle and assembled using connecting strips. The angle "E" must be specified when ordering.

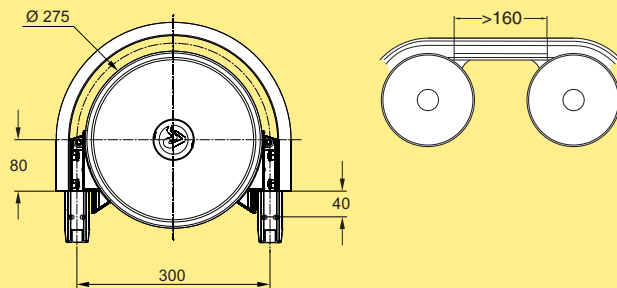
Wheel bend, 90°



Wheel bend, 90° **XLBH 90A65R150**

Effective track length: 0,40 m 1-way (0,80 m 2-way)

Wheel bend, 180°

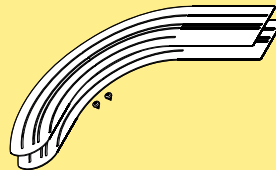


Wheel bend, 180° **XLBH 180A65R150**

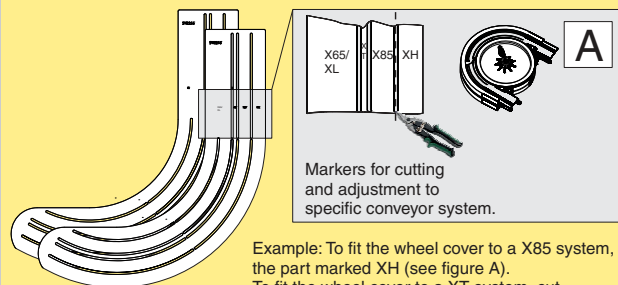
Effective track length: 0,65 m 1-way (1,30 m 2-way)

Wheel cover for Wheel bend with no return chain

Wheel cover for X65/XL, XT, X85, XH



Wheel cover for X65/XL, XT, X85, XH **5112246**
(Including one pair of Wheel cover 5112244 and 2 tap screw ISO 7049 4,2x6,5-C-H-A2K)



Example: To fit the wheel cover to a X85 system, cut the part marked XH (see figure A). To fit the wheel cover to a XT system, cut the parts marked X85 and XH.

Plain bend, 30°

Plain bend, 30°±1°
 R=300±10 mm
 R=500±10 mm
 R=700±10 mm
 R=1000±10 mm

XLBP 30A65R3
XLBP 30A65R5
XLBP 30A65R7
XLBP 30A65R10

Effective track lengths:
 R300: 0,60 m 1-way (1,15 m 2-way)
 R500: 0,70 m 1-way (1,35 m 2-way)
 R700: 0,80 m 1-way (1,55 m 2-way)
 R1000: 0,95 m 1-way (1,85 m 2-way)
 Including Support rail 5112957

Plain bend, 60°

Plain bend, 60°±1°
 R=500±10 mm
 R=700±10 mm
 R=1000±10 mm

XLBP 60A65R5
XLBP 60A65R7
XLBP 60A65R10

Effective track lengths:
 R500: 0,95 m 1-way (1,85 m 2-way)
 R700: 1,15 m 1-way (2,30 m 2-way)
 R1000: 1,45 m 1-way (2,90 m 2-way)
 Including Support rail 5112957

Plain bend, 45°

Plain bend, 45°±1°
 R=300±10 mm
 R=500±10 mm
 R=700±10 mm
 R=1000±10 mm

XLBP 45A65R3
XLBP 45A65R5
XLBP 45A65R7
XLBP 45A65R10

Effective track lengths:
 R300: 0,65 m 1-way (1,35 m 2-way)
 R500: 0,80 m 1-way (1,60 m 2-way)
 R700: 0,95 m 1-way (1,90 m 2-way)
 R1000: 1,20 m 1-way (2,40 m 2-way)
 Including Support rail 5112957

Plain bend, 90°

Plain bend, 90°±1°
 R=300±10 mm
 R=500±10 mm
 R=700±10 mm
 R=1000±10 mm

XLBP 90A65R3
XLBP 90A65R5
XLBP 90A65R7
XLBP 90A65R10

Effective track lengths:
 R300: 0,90 m 1-way (1,75 m 2-way)
 R500: 1,20 m 1-way (2,40 m 2-way)
 R700: 1,50 m 1-way (3,00 m 2-way)
 R1000: 2,00 m 1-way (3,95 m 2-way)
 Including Support rail 5112957

Plain bend, 5°-45°, 46°-90°

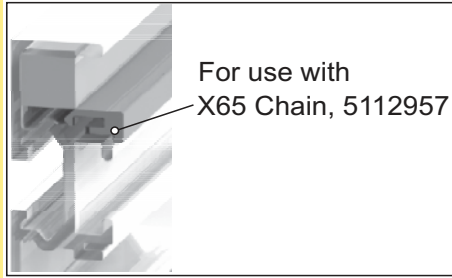
Plain bend, 5°-45°±1°
 R=300-1000±10 mm **XLBP 45A65TYP10**
 R=1001-2000±10 mm **XLBP 45A65TYP20**

Plain bend, 46°-90°±1°
 R=300-1000±10 mm **XLBP 90A65TYP10**
 R=1001-2000±10 mm **XLBP 90A65TYP20**

Including Support rail 5112957

Support rail for plain bends X65

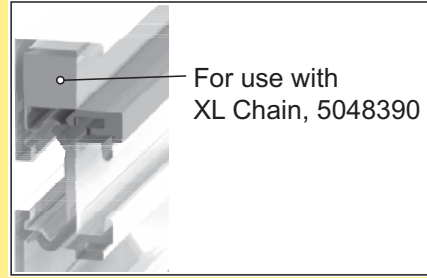
Support rail for use with X65 chain



Support rail **5112957**
 Length 3 m
 PA-PE ($\mu=0,1-0,25$) (Grey)

Support rails always included in the delivery of all X65 plain bend

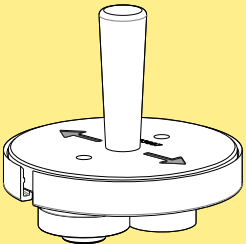
Support rail for use with XL chain



Support rail for plain bends **5048390**
 Length 2,4 m
 Polyamide

Fix with sheet metal screw ISO 7049 4,2x9,5 or similar.
 See page 517 for installation instructions.

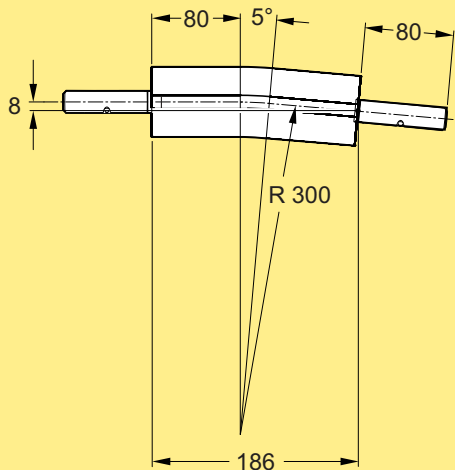
Mounting tool for support rail 5112957



3923686
 Mounting tool for support rail

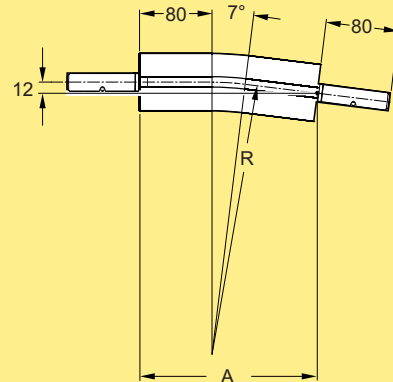
Vertical bends X65

Vertical bend, 5°



Vertical bend, 5° **XLBV 5A65R300**
 Effective track length: 0,20 m 1-way (0,40 m 2-way)

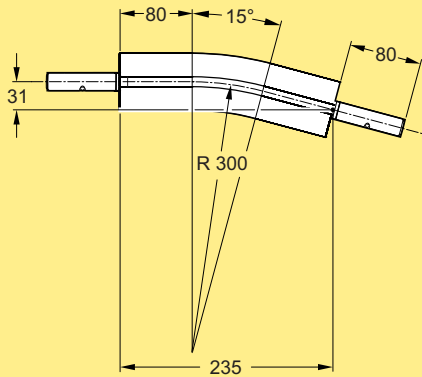
Vertical bend, 7°



Vertical bend, 7°
 R= 300, A=196, B=12 **XLBV 7A65R300**
 R=1000, A=281, B=17 **XLBV 7A65R1000**

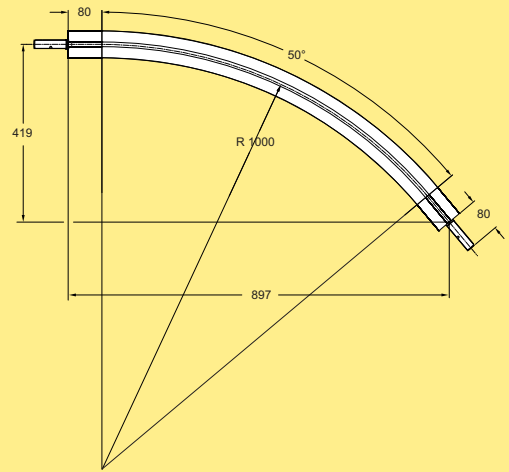
Effective track length:
 R300: 0,20 m 1-way (0,40 m 2-way)
 R1000: 0,30 m 1-way (0,60 m 2-way)

Vertical bend, 15°



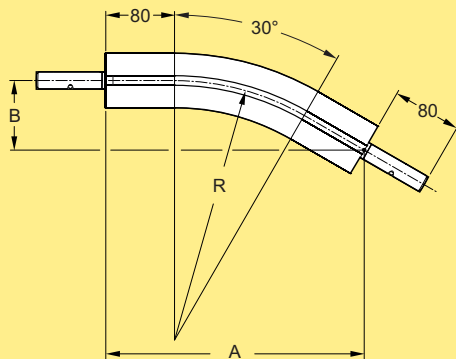
Vertical bend, 15° **XLBV 15A65R300**
Effective track length: 0,25 m 1-way (0,50 m 2-way)

Vertical bend, 50°



Vertical bend, 50° **XLBV 50A65R1000**
Effective track length: 1,10 m 1-way (2,15 m 2-way)

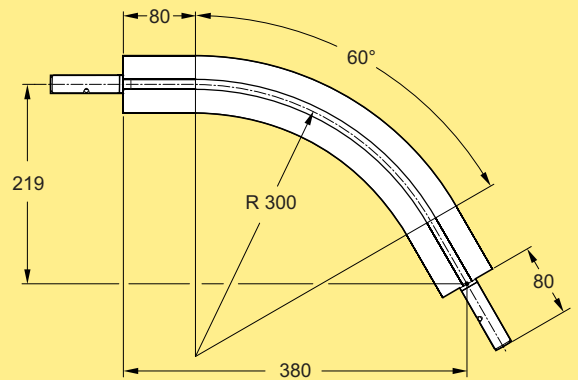
Vertical bend, 30°



Vertical bend, 30°
R= 300, A=299, B= 80 **XLBV 30A65R300**
R=1000, A=649, B=174 **XLBV 30A65R1000**

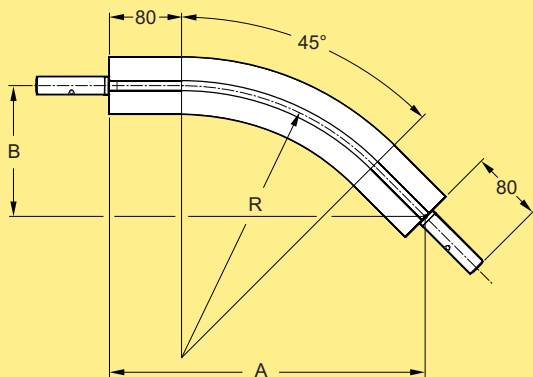
Effective track length:
R300: 0,35 m 1-way (0,65 m 2-way)
R1000: 0,70 m 1-way (1,40 m 2-way)
R1225: 0,85 m 1-way (1,65 m 2-way)

Vertical bend, 60°



Vertical bend, 60° **XLBV 60A65R300**
Effective track length: 0,50 m 1-way (0,95 m 2-way)

Vertical bend, 45°

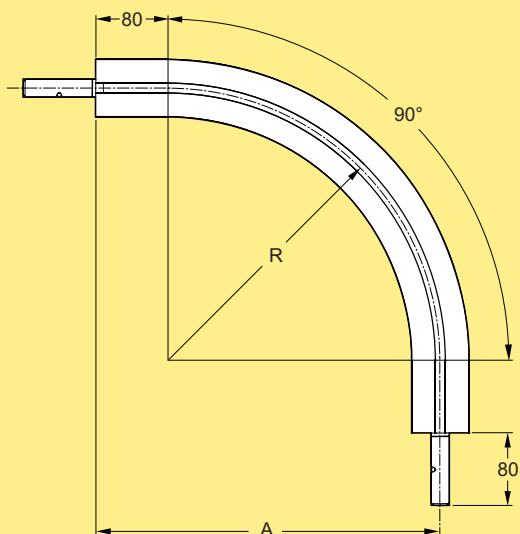


Vertical bend, 45°
R= 300, A= 349, B=144 **XLBV 45A65R300**
R=1000, A= 844, B=349 **XLBV 45A65R1000**

Effective track length:
R300: 0,45 m 1-way (0,80 m 2-way)
R1000: 0,95 m 1-way (1,90 m 2-way)

Vertical bends X65 (continued)

Vertical bend, 90°



Vertical bend, 90°

R= 300, A= 380

R=1000, A=1080

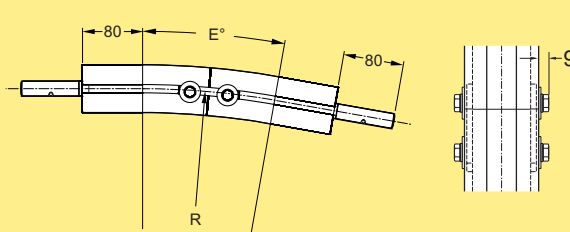
XLBV 90A65R300
XLBV 90A65R1000

Effective track length:

R300: 0,70 m 1-way (1,30 m 2-way)

R1000: 1,75 m 1-way (3,50 m 2-way)

Vertical bend, 5°–90°



Vertical bend, 5°–90°

R=300

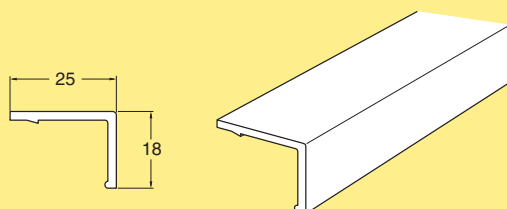
R=1000

XLBV EA65R300
XLBV EA65R1000

The bend is cut in the middle to the desired angle and assembled using connecting strips. The angle "E" must be specified when ordering.

Angle plates X65

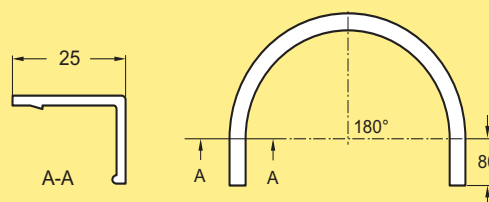
Angle plate, straight



Angle plate
Length 3 m

XLRP 3

Angle plate for 180° bend

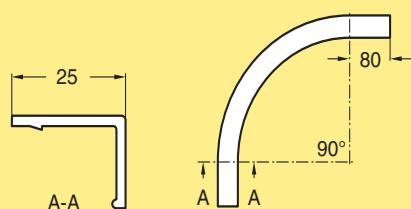


Angle plate for 180° bend
Inner radius 182,5 mm

XLRM 180

Used with XLBH 180A65R150 and XLEW A65

Angle plate for 90° bend



Angle plate for 90° bend
Inner radius 182,5 mm

XLRM 90

Used with XLBH 90A65R150

Front piece

Front piece
Length 3 m

XLVF 3

Sliding strip for front piece

Sliding strip for front piece
Length 2 m

XLVG 2

The sliding strip must be anchored to the front piece.

Linkage kit for front piece

Linkage kit
W=130, D=33
W=180, D=58

XLVK 33
XLVK 58

Kit consists of two support pairs and one locking device.

Front piece upper bend

Upper bend, 60°

XLVA 60R352

Includes connecting strip with screws

Bend support for front piece

Bend support
D=33 mm
D=58 mm

XLVS 33
XLVS 58

Front piece lower bend

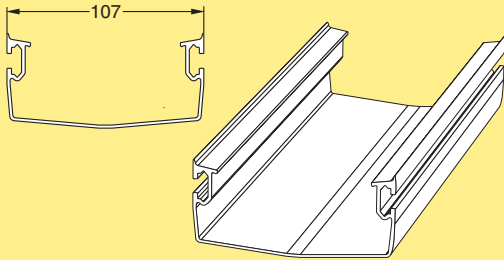
Lower bend, 60°

XLVB 60R245

Includes connecting strip with screws

Drip trays X65

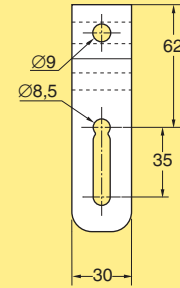
Drip tray



Drip tray
Length 3 m

XLDT 3×107 B

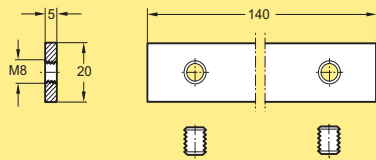
Drip tray bracket



Drip tray bracket

XLDB 21×100

Connecting strip

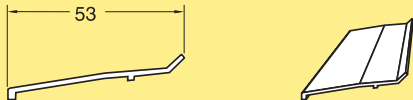


Connecting strip with set screws **XLCJ 5×140**

Note. Contains 10 pcs.

Drip catchers X65

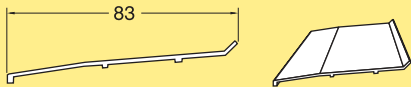
Drip catcher 53 mm



Drip catcher 53 mm
Length 3 m

XHDS 3×53

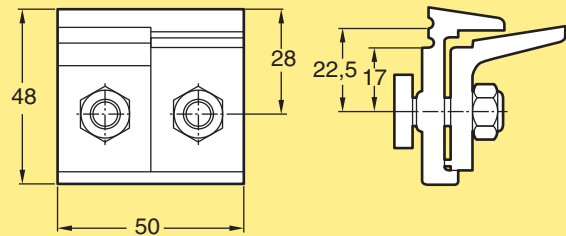
Drip catcher 83 mm



Drip catcher 83 mm
Length 3 m

XHDS 3×83

Drip catcher bracket assembly



Drip catcher bracket assembly

XHDR 23

Including T-bolts and nuts

Guide rail system

See "Guide rail components" on page 303

Conveyor support

See "Conveyor support components" on page 331