

DATA SHEET

SV 300/2

SIDE CHANNEL BLOWERS

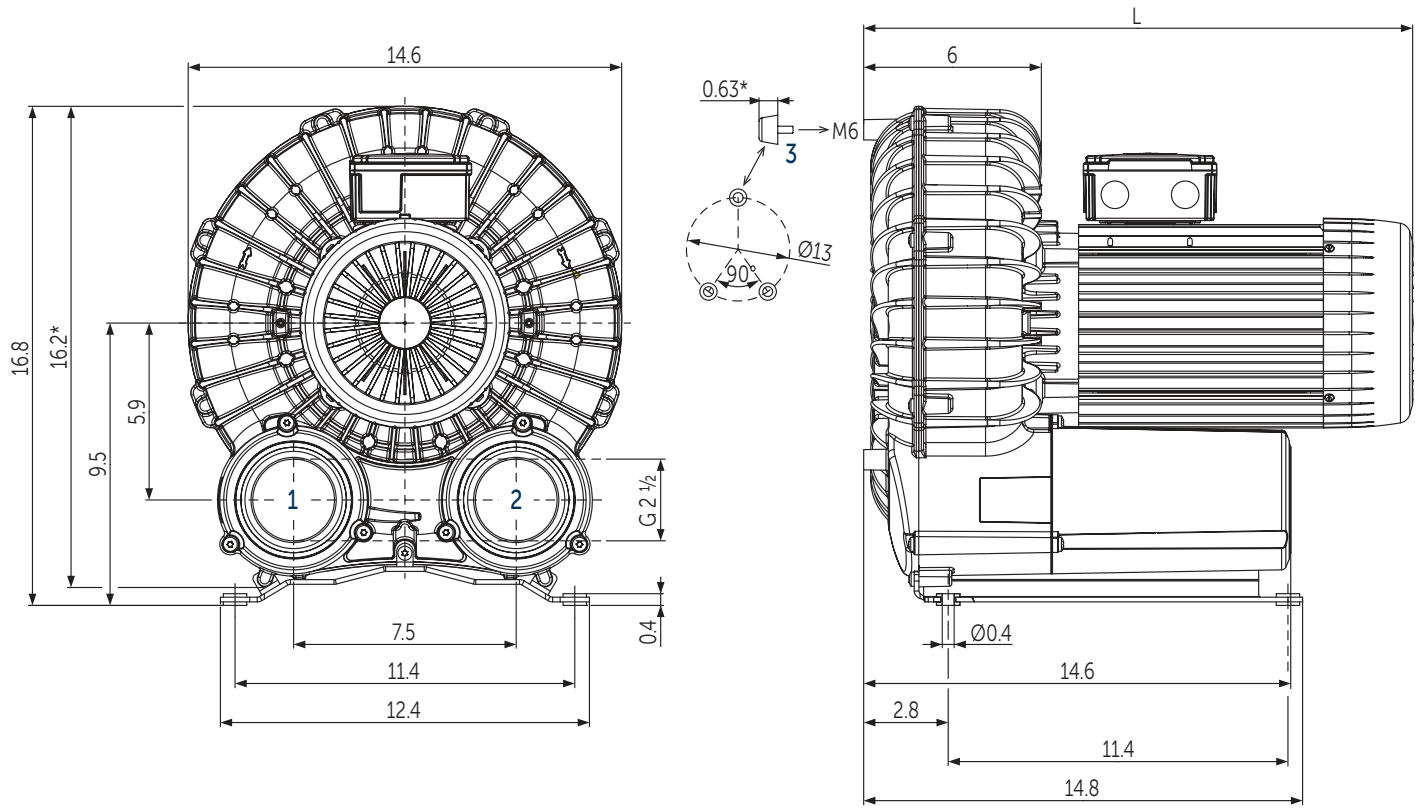
double stage

air-cooled

MAKE IT BECKER.



 **BECKER**



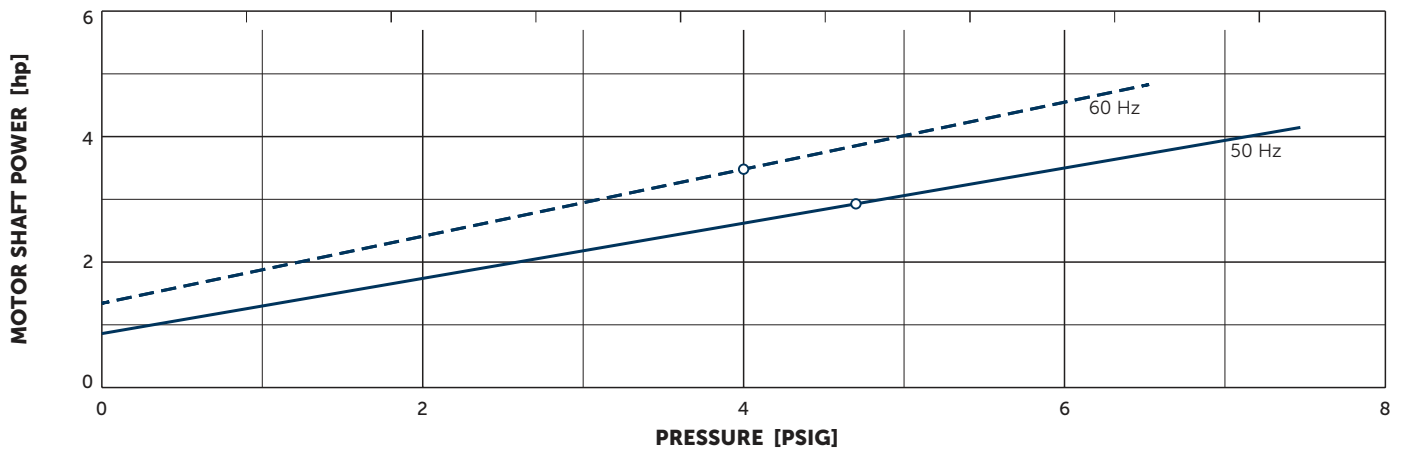
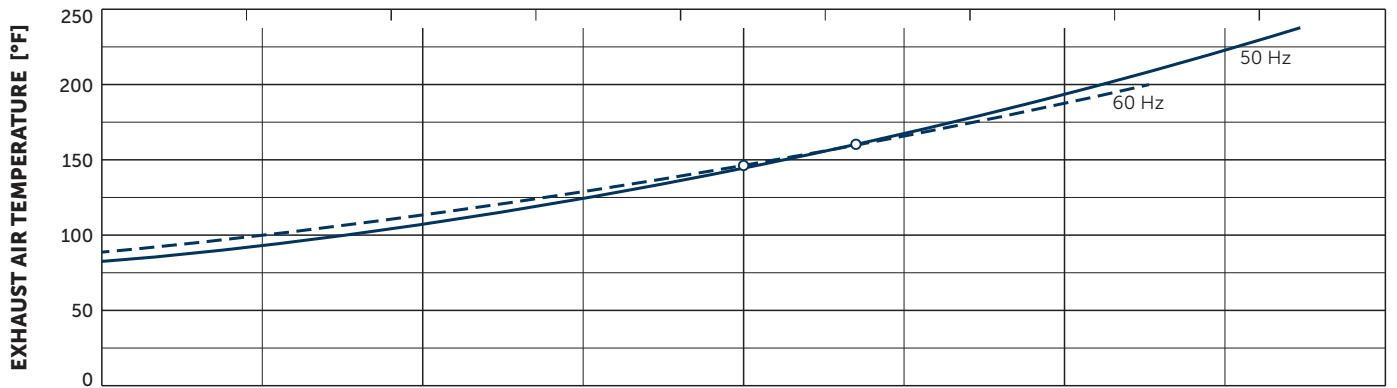
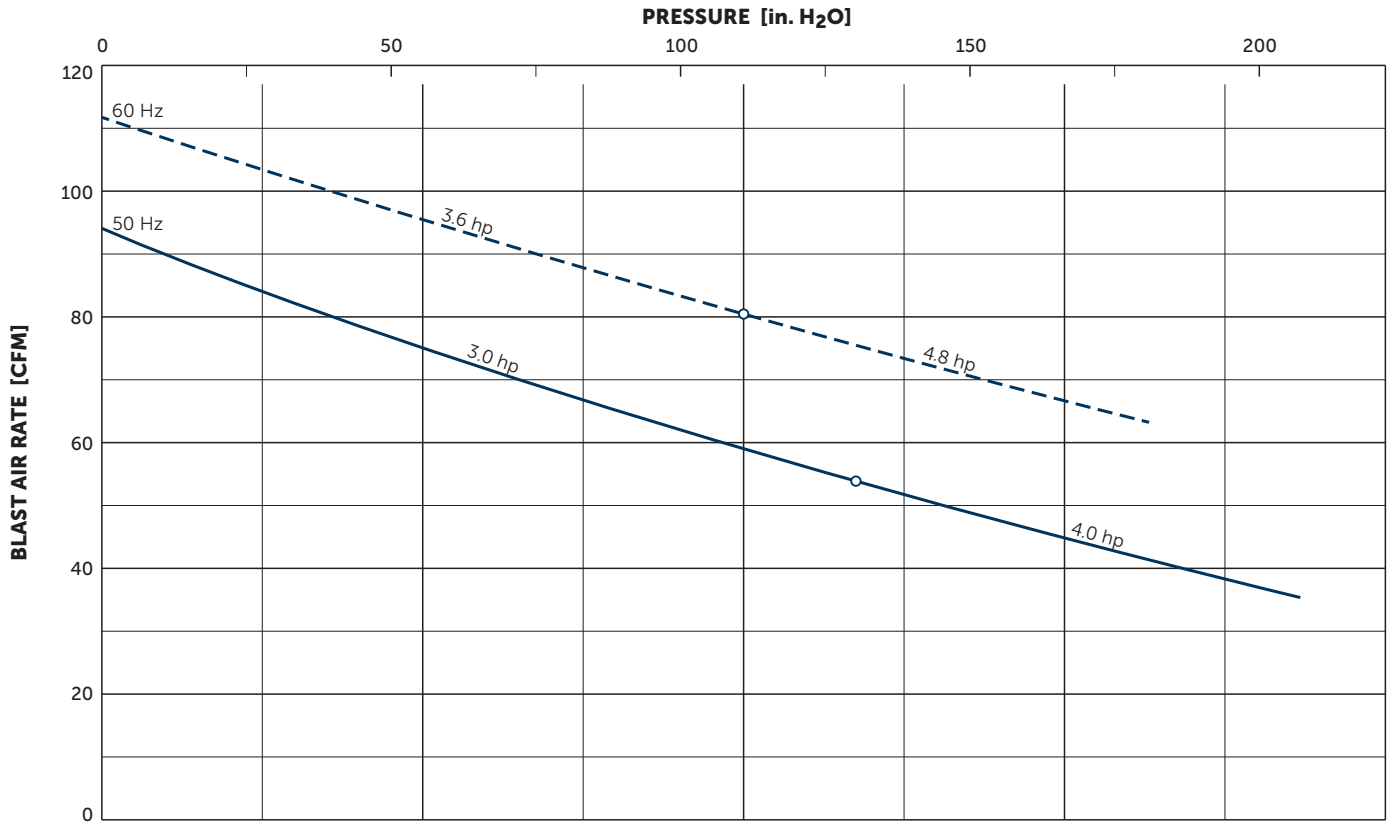
- 1 Vacuum connection (G2½)
- 2 Pressure connection (G2½)
- 3 Optional vibration dampers (rubber buffer) for vertical installation
- * Device dimensions without pedestal under the silencer, with rubber buffers on the enclosure cover
- The motor illustration may vary
- Dimensions in inch

Suction air rate		Pressure				Motors		Emission sound pressure level ¹⁾		Weight with motor	L
CFM		in. H ₂ O		PSIG		hp		dB(A)		lbs	inch
50 Hz	60 Hz	50 Hz	60 Hz	50 Hz	60 Hz	50 Hz	60 Hz	50 Hz	60 Hz		
94	111	132.6	112.5	4.7	4.0	3.0	3.6	68.3 (106.5 in. H ₂ O)	68.5 (80.4 in. H ₂ O)	89.5	18.5
94	111	207.0	180.9	7.4	6.5	4.0	4.8	71.7 (132.7 in. H ₂ O)	74.5 (132.7 in. H ₂ O)	94.0	19.5

¹⁾ According to DIN EN ISO 11203, accuracy class of measurement: class 2, extended measurement uncertainty: 3 dB
39.4 inch distance, at medium load, both connection sides piped

3~ Motors											
#	50 Hz					60 Hz					Version
	hp	V	rpm	A	hp	V	rpm	A			
01	3.0	Δ230/Y400	IE3	2910	7.7/4.45	3.6	Δ265/Y460	IE3	3510	7.6/4.4	UL • CSA IP55 • ISO F • bimetal
							Δ230/Y400		3460	8.3/4.6	
02						3.6	YY230/Y460	IE3	3510	8.6/4.3	UL • CSA • CC IP55 • ISO F • bimetal
							YY208/Y –		3460	9.2/ –	
03	4.0	Δ230/Y400	IE3	2890	10.6/6.1	4.8	Δ265/Y460	IE3	3500	10.6/6.1	UL • CSA IP55 • ISO F • bimetal
							Δ230/Y400		3460	11.6/6.7	
04						4.8	YY230/Y460	IE3	3510	12.4/6.2	UL • CSA • CC IP55 • ISO F • bimetal
							YY208/Y –		3480	13.0/ –	
05	4.0	Δ200/Y350	IE3	2920	13.9/8.0	4.8	Δ220/Y380–400	IE3	3500	12.6/7.3	IP55 • ISO F • bimetal
							Δ200/Y350		3470	13.2/7.6	

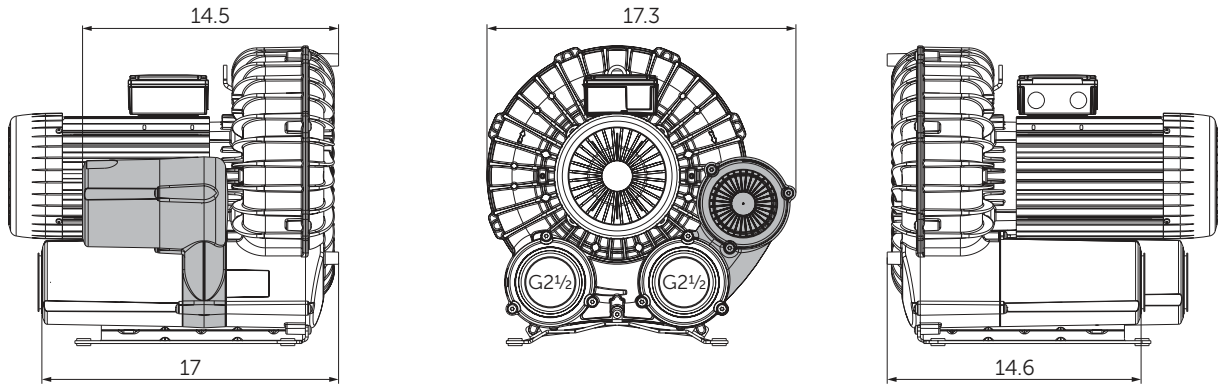
- Current consumption and rotation speed may vary. Tolerance in each case -1.5/+2%



Reference data (atmosphere): 0 PSIG, 68°F; Tolerance: ±10%
 Temperature: Inlet air 32°F ... 104°F, Ambient air 14°F ... 104°F

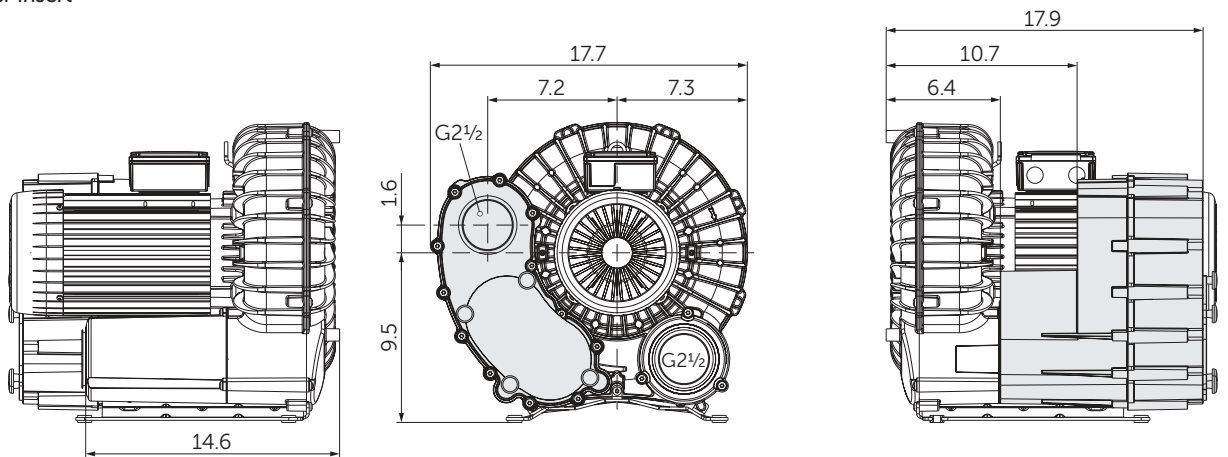
+ VARIANTS AND ACCESSORIES

PRESSURE SAFETY VALVE

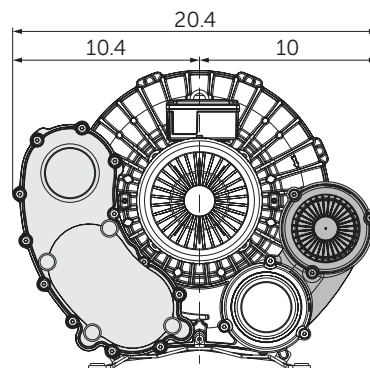


SUCTION FILTER

- Paper or polyester insert



SUCTION FILTER AND PRESSURE SAFETY VALVE

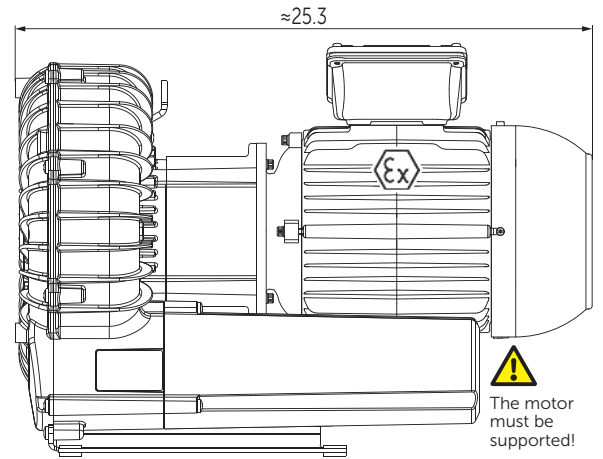


▪ Dimensions in inch – For other dimensions, see the figure on page 2.

SV 300/2 WITH ATEX MOTOR

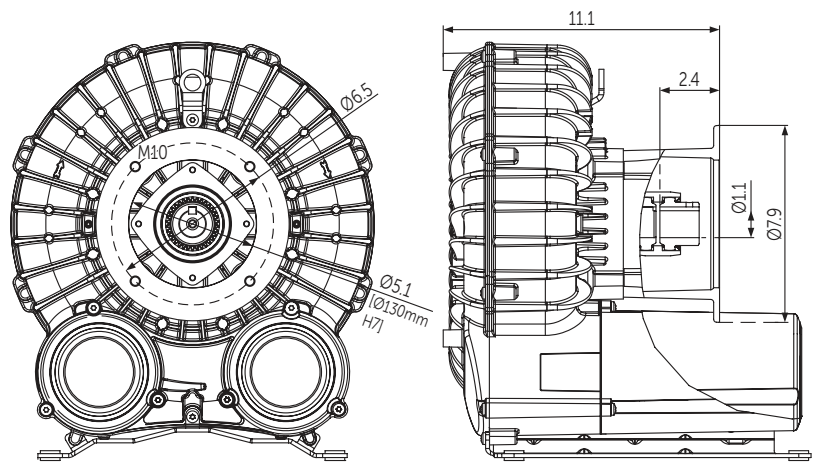
- With coupling for flange motor
- The motor must be supported!
- **Motor ATEX zone: Class 1 Div 2 Groups C&D II 1 G ia IIB**

hp	60 Hz		A	Version
	V	rpm		
5.5	Δ230/Y460	3515	13.3/6.67	UL • IP55 • ISO F
	YY208/Y –		14.8	PTC 155°C (311°F)



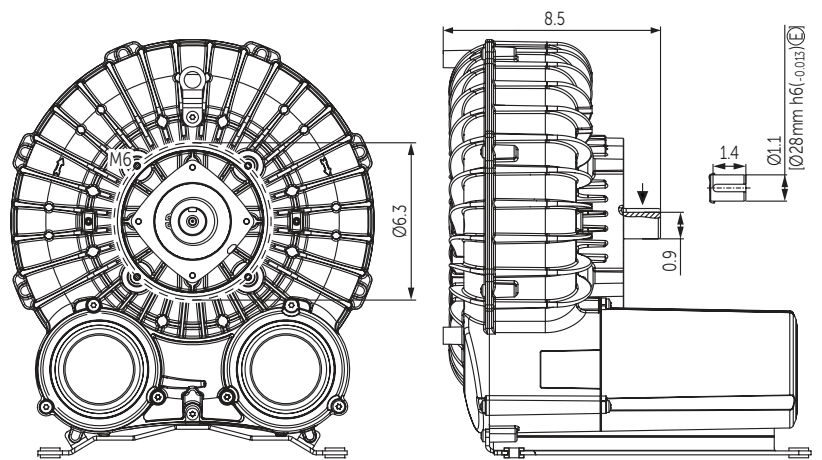
WITHOUT MOTOR

- With coupling for flange motor
- The motor must be supported!



WITHOUT MOTOR

- With free shaft end
- Max. 5600 rpm with V-belt pulley
- Possible performance data see VARIAIR SV 300/2¹⁾



OTHER VARIANTS AND ACCESSORIES

- With increased corrosion protection
- VARIAIR SV 300/2 with frequency inverter VAU7.5/3 for 100 Hz operation¹⁾
- VARIAIR SV 300/2 gas-tight (inert gases) with frequency inverter VAU7.5/3 for 100 Hz operation¹⁾
- Sound proof box SH 18¹⁾

¹⁾ See separate data sheet

• Current consumption and rotation speed may vary. Tolerance in each case -1.5/+2%. The motor illustration may vary.
 • Dimensions in inch – For other dimensions, see the figure on page 2.



Sound proof box SH 18

MAKE IT BECKER.

