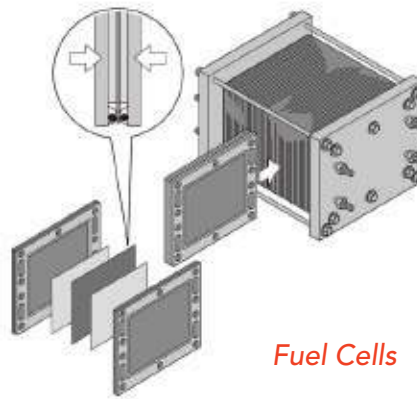
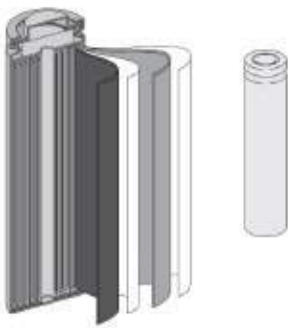


# FORMED-IN-PLACE GASKETS

## 1100/1200 SERIES

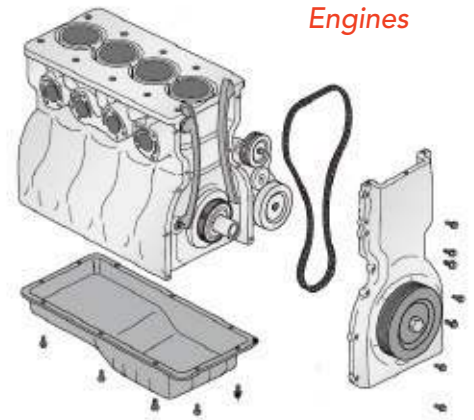
Liquid gaskets, sometimes called liquid adhesives. Durable, excellent sealability. Products with various material bases are available.

Batteries



Fuel Cells

Engines



## FORMED-IN-PLACE GASKETS

### 1100/1200 SERIES

<b>TB1110F</b>	Non-solvent, anaerobic (does not cure when in contact with air). Quick sealing, high strength. Good for securing connections of threaded pipes.
<b>TB1121</b>	Non-solvent, non-dry, all-purpose, gray liquid gasket. Good for sealing machine joints.
<b>TB1152C</b> <b>TB1153C</b>	Olefin-based, heat-curing, excellent chemical resistance, gas barrier properties, hydrogen barrier property, low moisture permeability. Good for fuel cell batteries, and sealing water, coolants, methanol, etc.
<b>TB1158</b>	Excellent heat resistance (-30°C to 150°C). Excellent oil resistance. Paintable. Does not sag. Dealcoholized, does not corrode metals, does not give off odor.
<b>TB1171G</b>	For sealing batteries. Excellent resistance to moisture, heat, nonaqueous electrolytic solutions, and acids/ inorganic bases. Excellent reflow soldering durability.
<b>TB1184</b>	Solvent-vaporizing all-purpose gasket. Good for flanges and threads. Excellent padding, good sealing even with large clearances. Excellent resistance to water, oil, and gasoline. Stable rubber in -40°C to 150°C.
<b>TB1207B</b>	No corrosiveness with metals, almost no influence on plastics, heat/cold resistant -60°C to 250°C, and 200°C resistance for continuous use.
<b>TB1216E</b>	Heat resistant, oil and LLC resistant. Can be used on engine oil pans or to seal water pump.
<b>TB1217H</b>	Good engine oil resistance, elasticity, and blowout resistance. High elongation.
<b>TB1222C</b>	Incombustible per standard UL94V-0, heat/cold resistant -60°C to 250°C, and 180°C resistance for continuous use.
<b>TB1225B</b>	High thermal conductivity, good electric insulation. Capable of heat dissipation and insulation of electronic devices like switching power supplies.
<b>TB1226</b>	Good sealant for bonding electrical components. Tin-free, dealcoholized. Good electric insulation, heat resistance, and adhesion to metals and resins.